

# NISE 3600E

3<sup>rd</sup> Generation Intel® Core™ i5/i3  
Fanless System with one PCIe4 Expansion



## Main Features

- Support 3<sup>rd</sup> generation Intel® Core™ i5/ i3 rPGA socket type processor
- Mobile Intel® QM77 PCH
- Support 1x 2.5" SATA HDD or 2x SATA DOM
- 1x VGA, 1x DVI-D and 2x Display port with Independent Display support
- Dual Intel® GbE LAN ports
- 4x USB 3.0, 2x USB 2.0, 5x RS232 and 1x RS232/422/485
- 1x PCIe4 Expansion and 1x external CFast socket
- Support 9V~30V DC input
- Support ATX power mode and WoL

## Product Overview

Integrated with 3<sup>rd</sup> generation Intel® Core™ i5/i3 with QM77 PCH platform, NISE series evolve to a new generation called NISE 3600E. It is not only sustained its good reputation on quality and user friendly features but also innovated its mechanical design.

With computing and graphic performance enhancement, NISE 3600E supports 2x display port, 1x VGA port and 1x DVI-D port to fulfill the graphic-intensive or computing oriented applications, including Auto Optical Inspection, Machinery Automation, ePolice infotainment, Surveillance or Image Processing equipments and Healthcare industry. In addition, NISE 3600E offers 4x USB 3.0 and 2x USB 2.0, greater expansion capability with 2x PCIe4, 2x Intel® GbE LAN ports, 6x COM ports, and 1x external CFast socket for front accessible availability. NISE 3600E is sufficient to support wide range of DC input from 9~30V, ATX power mode and WoL; it is a new generation to meet most application requirements.

## Specifications

### CPU Support

- Support 3<sup>rd</sup> generation Intel® Core™ i5/i3 rPGA Socket Type Processor
  - Core™ i5-3610ME, Dual Core, 2.7GHz, 3M Cache
  - Core™ i3-3120ME, Dual Core, 2.4GHz, 3M Cache
  - Support Three Independent Display with above processors
- Support 2<sup>nd</sup> generation Intel® Core™ i5/i3 rPGA Socket Type Processor
  - Core™ i5-2510E, Dual Core, 2.5GHz, 3M Cache
  - Celeron® B810, Dual Core, 1.6GHz, 2M Cache
  - Support Dual Independent Display with above processors

### Main Memory

- 2x DDR3 SO-DIMM socket, supports up to 8GB DDR3/ DDR3L 1333/ 1600 SDRAM, with un-buffered and non-ECC

### Display Option

- Three Independent Display (only support on 3<sup>rd</sup> Generation Processor)
  - Two Display Port and 1x VGA
  - Two Display Port and 1x DVI-D
- Dual Independent Display
  - VGA and DVI-D
  - Display Port and VGA
  - Display Port and DVI-D

### I/O Interface-Front

- ATX power on/ off switch
- HDD Access/ Power status LEDs
- 2x USB3.0 ports (Blue Color)
- 2x Display Port (Can be converted to DVI-D or HDMI via cables)
- 2x Antenna holes
- 1x external CFast (optional)

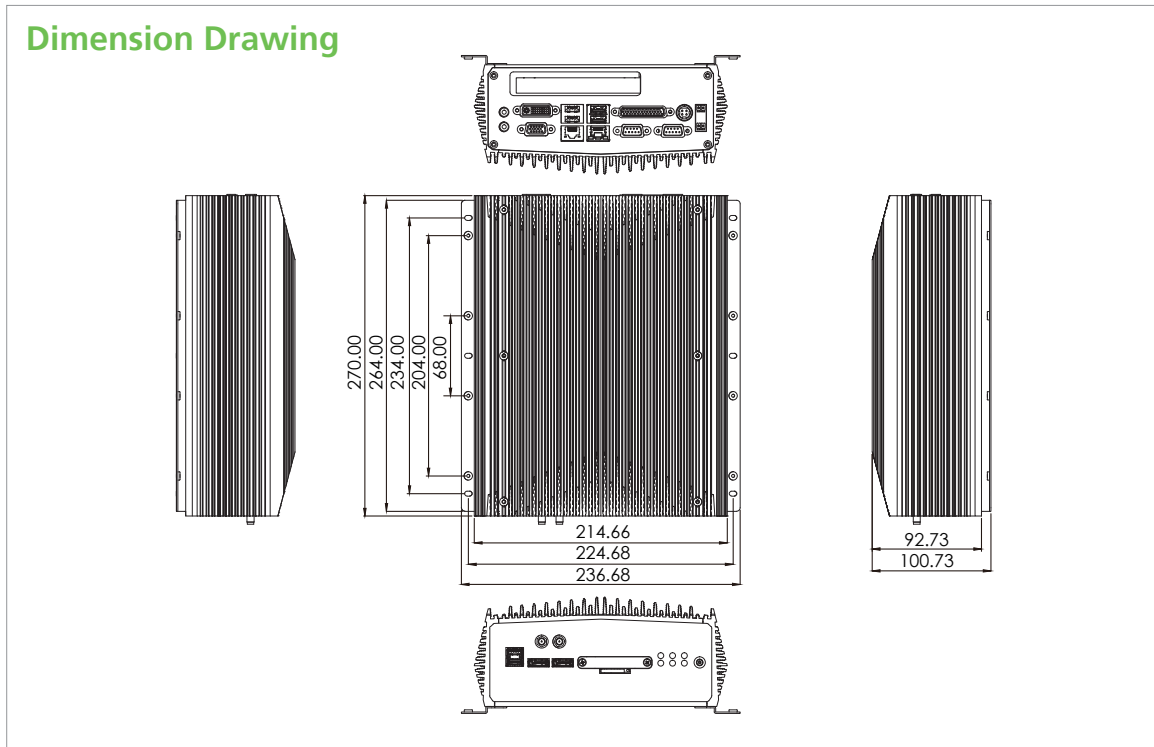
### I/O Interface-Rear

- 2x DB9 for COM5 & COM6 (RS232)
- 1x DB44 Serial Port, 4x COM port
  - COM1/COM3/COM4: RS232
  - COM2: RS232/422/485
- 2x Intel® GbE LAN ports (Intel 82574L and 82577LM)
- 2x USB2.0 ports
- 2x USB3.0 ports (Blue Color)
- 1 x DB15 VGA port
- 1 x DVI-D port
- 1 x Line-out and 1x Mic-in
- 2-pin Remote Power on/ off switch
- 9~30V DC input

www.nexcom.com



## Dimension Drawing



### Storage Device

- 1x CFast socket
- 1x 2.5" SATA HDD or 2x SATA DOM
- SATA DOM: support 90 degree horizontal type only

### Expansion Slot

- 1x PCIe4 Expansion Slot
  - Add-on card length: 169mm max.
  - Power consumption: 10W/slot max.
- 1x miniPCIe socket (support optional WiFi or 3.5G module)

### Power Requirements

- ATX power mode
- On-board DC to DC power support from 9V to 30V DC
- Optional power adapter

### Dimensions

- 215mm (W) x 272mm (D) x 93mm (H) without wall mount bracket

### Construction

- Aluminum Chassis with fanless design

### Environment

- Operating temperature:
  - Ambient with air flow: -5°C ~ 55°C
  - (According to IEC60068-2-1, IEC60068-2-2, IEC60068-2-14)

- Storage temperature: -20°C ~ 80°C
- Relative humidity: 95% at 40 degree C
- Shock protection: 20G, half sine, 11ms, IEC60068-2-27
- Vibration protection
  - Random: 0.5Grms @5~500 Hz according to IEC68-2-64
  - Sinusoidal: 0.5Grms @5~500 Hz according to IEC68-2-64

### Certifications

- CE approval
- FCC

## Ordering Information

### Barebone

- **NISE 3600E (P/N: 10J00360000X0) RoHS Compliant**  
3<sup>rd</sup> Generation Intel® Core™ i5/i3 Fanless System with one PCIe4 Expansion
- **19V, 120W AC/DC power adapter w/o power core (P/N: 7410120002X00)**

## Assured Systems

Assured Systems is a leading technology company with over 1,500 regular clients in 80 countries, deploying over 85,000 systems to a diverse customer base in 12 years of business. We offer high-quality and innovative rugged computing, display, networking and data collection solutions to the embedded, industrial, and digital-out-of-home market sectors.

### US

[sales@assured-systems.com](mailto:sales@assured-systems.com)

Sales: +1 347 719 4508  
Support: +1 347 719 4508

1309 Coffeen Ave  
Ste 1200  
Sheridan  
WY 82801  
USA

### EMEA

[sales@assured-systems.com](mailto:sales@assured-systems.com)

Sales: +44 (0)1785 879 050  
Support: +44 (0)1785 879 050

Unit A5 Douglas Park  
Stone Business Park  
Stone  
ST15 0YJ  
United Kingdom

VAT Number: 120 9546 28  
Business Registration Number: 07699660