

OPPC 1520T

15" TFT LED XGA 4:3 Fanless Panel PC with Intel® Atom™ D525,
1.8GHz, Touch Screen, 1GB DDR3, 4xUSB, 2xCOM and VGA



Main Features

- 4:3 15" Fanless LED Panel Computer
- Intel® Atom™ D525, Dual Core, Low Consumption CPU
- Dual GbE/ 2nd Display VGA/ Line-in/ Line-out/ MIC-in/ PS2 KB/MS
- 4 x USB/ 2 x mini-PCIe sockets/ 1 x CF/ 2 x RS232/ 422/ 485
- DDR3 1GB / 2.5" HDD Bracket
- Optional Wi-Fi Module / 2.5"HDD / Panel Mount Kit
- Open Frame and Panel Mount/ VESA Mount Compliance
- Wide Range Power Input 12V~ 30V DC

Product Overview

OPPC 1520T fanless Panel PCs are powered by Intel® Atom™ D525 processor with Intel® ICH8M chipset and support for DDR3 memory. OPPC 1520T incorporates a 15" 4:3 touch screen LCD panel with resolutions up to 1024x768 (XGA) and 400 nits brightness. It is specially designed with bezel-less display which allows customers to design front bezel according to their application requirements without any limitation.

OPPC 1520T is designed to meet the requirements of vertical market segments, such as Kiosk, ATMs, and vending machines. Customers also benefit from various mounting options, including open frame mount from both rear and front sides, VESA mount, wall mount and panel mount. This versatility gives users a quick route to market for a customized Panel PC.

Specifications

Panel

- LCD Size: 15", 4:3
- Resolution: XGA 1024x768
- Luminance: 400cd/m2
- Contrast ratio: 700
- LCD color: 262K
- Viewing Angle: 80(U), 60(D), 80(L), 80(R)
- Backlight: LED
- Touch screen: 5-wire resistive
- Touch light transmission: 81%
- Touch interface: USB

System

- CPU: Intel® Atom™ D525, 1.8GHz
- BIOS: AMI BIOS
- System chipset: Intel® ICH8M
- System memory:
 - 1x 204-pin DDR3 SO-DIMM socket, 1G DDR3 (Default), Support up to 2GB DDR3 800, Non-ECC and Un-buffered
- SSD: one external locked CF socket by IDE support Type I/II compact Flash card
- Hard drive bay: optional 2.5" SATA HDD or SATA DOM

- Watchdog timer: Watchdog timeout can be programmable by software from 1 second to 255 seconds and from 1 minute to 255 minutes (Tolerance 15% under room temperature 25°C)
- H/W status monitor: monitoring system temperature and voltage
- Expansion: 2x Mini-PCIe sockets

Rear I/O

- COM #1: RS232/422/485
- COM #2: RS232/422/485
- Ethernet: 2 x RJ45
- 2nd display VGA port: 1 x DB15
- Audio port: 1 x Line out; 1 x Line in; 1 x MIC-in
- USB: 4 x USB 2.0
- PS2 keyboard/ mouse
- Power switch
- Reset button

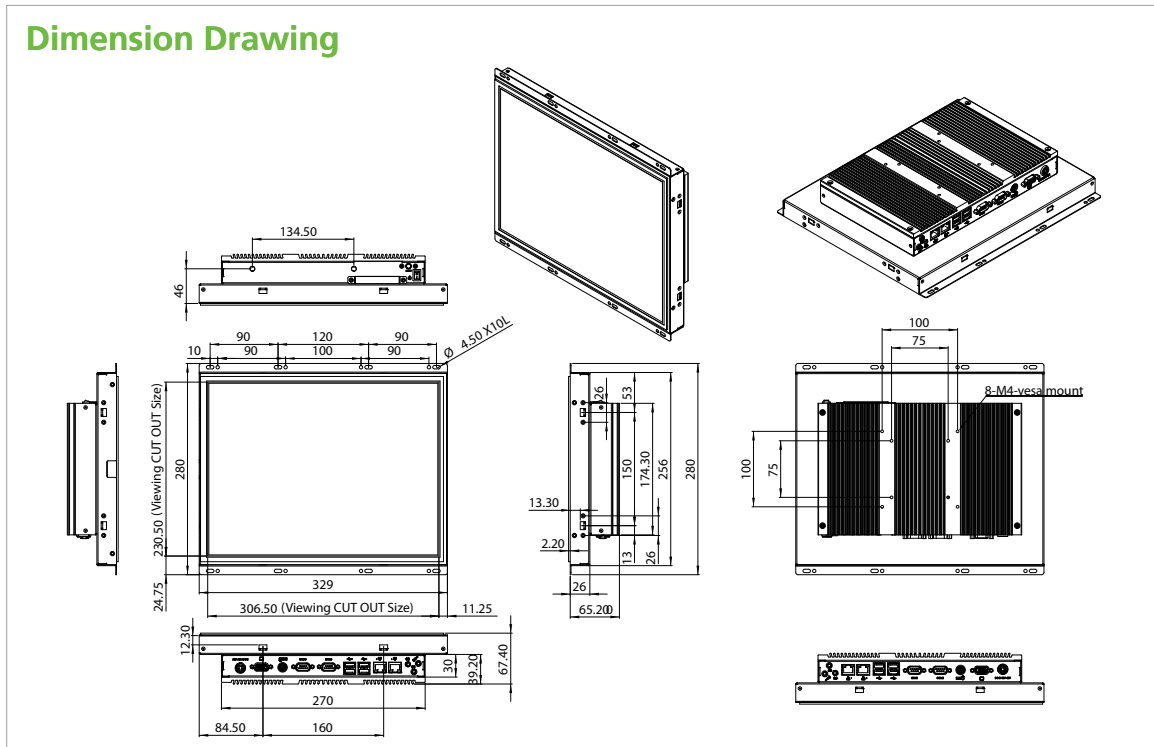
Audio

- AC97 codec: Realtek ALC888
- Audio interface: Line out/Line in/MIC-in Audio Jack

www.nex.com.com



Dimension Drawing



Ethernet

- LAN chip: dual Intel® 82574L Gigabit LAN
- Ethernet interface: 10/100/1000 Based-Tx Ethernet compatible

Mechanical & Environment

- Front panel open frame
- Mounting:
 - Open frame mount
 - Panel/ wall/ stand/ VESA 75 x 75; 100mm x 100mm
 - Power input: 12V~ 30V DC
 - Power adapter: Optional AC to DC power adaptor (+12V, 60W)
- Vibration:
 - IEC 68 2-64 (w/ HDD)
 - 0.5Grms @sine, 5~500Hz, 1hr/axis (HDD Operating)
 - 2.2Grms @ random condition, 5~500Hz, 0.5hr/axis (Non-operating)
- Shock:
 - IEC 68 2-27
 - HDD: 20G@wall mount, half sine, 11ms
- Operating temperature: -5°C to 50°C
- Storage temperature: -20°C to 75°C
- Operating humidity:
 - 10%~90% relative humidity, non-condensing
 - Limits to be at 90% RH at max 30°C
 - Limits to be at 70% RH at max 50°C
- Dimension: 329 x 280 x 67.4 mm
- Weight: 4 Kg

Certifications

- CE approval
- FCC Class A

Ordering Information

Barebone

- **OPPC 1520T (P/N: 90IQ1520T00X0)**
15" TFT LED Panel PC with Intel® Atom™ D525 1.8 GHz, touch screen, 1GB DDR3, COM#1/ #2

Options

- 12V, 60W AC/DC power adapter w/o power cord
(P/N: 7400060002X00)

Assured Systems

Assured Systems is a leading technology company with over 1,500 regular clients in 80 countries, deploying over 85,000 systems to a diverse customer base in 12 years of business. We offer high-quality and innovative rugged computing, display, networking and data collection solutions to the embedded, industrial, and digital-out-of-home market sectors.

US

sales@assured-systems.com

Sales: +1 347 719 4508
Support: +1 347 719 4508

1309 Coffeen Ave
Ste 1200
Sheridan
WY 82801
USA

EMEA

sales@assured-systems.com

Sales: +44 (0)1785 879 050
Support: +44 (0)1785 879 050

Unit A5 Douglas Park
Stone Business Park
Stone
ST15 0YJ
United Kingdom

VAT Number: 120 9546 28
Business Registration Number: 07699660