

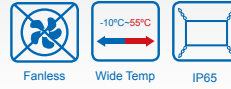
Rugged Display



Model: R15L100-VMC3HB

Product Features:

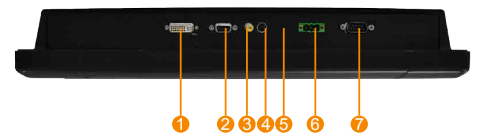
- High Quality 15" XGA panel, 1024 x 768 resolution
- 5 Wire resistive touch screen
- -10 ~ +55°C Wide Range Operating Temperature
- Anti-Corrosion housing with Fanless Design
- Built-in ambient Light sensor
- IP65 Dust & Waterproof Protection (Except I/O ports)
- 9V ~ 36V DC Isolation Wide Range Power Input



Product Specifications:

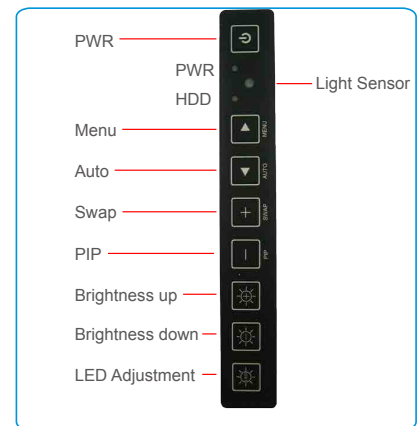
Display	Model Name	R15L100-VMC3HB
	Size	15"
	Resolution (pixels)	1024 x 768
	Number of Colors	16.2M (8 bit) / 262K (6 bit)
	Brightness (cd/m ²)	250nits for R15L100-VMC3 Optional 1000nits for R15L100-VMC3HB (High Brightness)
	Contrast Ratio	700:1
	Viewing Angle	-80~80 (H) ; -60~80 (V)
	Active Area	304.1 (H) x 228.1 (V)
	Touch (optional)	5 wire resistive / Capacitive
	Input / Output	1 x DVI (Optional)
1 x VGA		
1 x Composite (Optional)		
1 x S-Video (Optional)		
1 x DC-in Lockable (Optional)		
1 x 9~36V Terminal Block (Default)		
Environment	Operating Temperature	-10 ~ 55°C
	Storage Temperature	-30 ~ 70°C
	Humidity	10 ~ 95% non-condensing
	Shock	MIL810F/EN50155
	Vibration	MIL810F/EN50155
	EMC	CE, FCC ClassB, Compliance with EN50155
Mechanical	Safety	Compliance with EN50155, MIL-STD 810F
	Dimension(W x H x D)	398 x 308 x 58mm
Packing List		R2A AD Board User's Manual
		Touch's Driver CD
Product Optional Items	Signal Input	DVI-D, Composite Video, S-Video for optional
	Anti-Reflective Glass	3 mm (Replace touch)
	Mounting bracket	One robust bracket with locking handle (Can adjust from -5 deg. to 90 deg.)

I / O View:

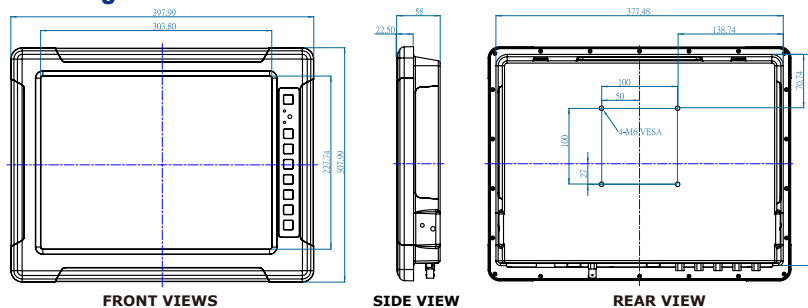


1. DVI (Optional)
2. VGA
3. Composite (Optional)
4. S-Video (Optional)
5. DC Lockable (Optional)
6. 9~36V DC Terminal Block (Default)
7. RS-232 or USB for Touch (Optional)

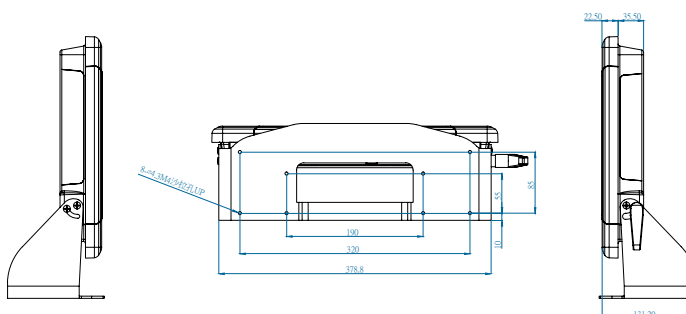
Front OSD Control Function:



Drawing:



Drawing w / Mounting Bracket (Optional)



Assured Systems

Assured Systems is a leading technology company with over 1,500 regular clients in 80 countries, deploying over 85,000 systems to a diverse customer base in 12 years of business. We offer high-quality and innovative rugged computing, display, networking and data collection solutions to the embedded, industrial, and digital-out-of-home market sectors.

US

sales@assured-systems.com

Sales: +1 347 719 4508
Support: +1 347 719 4508

1309 Coffeen Ave
Ste 1200
Sheridan
WY 82801
USA

EMEA

sales@assured-systems.com

Sales: +44 (0)1785 879 050
Support: +44 (0)1785 879 050

Unit A5 Douglas Park
Stone Business Park
Stone
ST15 0YJ
United Kingdom

VAT Number: 120 9546 28
Business Registration Number: 07699660