



# R15IT3S-67C3(HB)

15" Intel® Core™ i5-1135G7 G-WIN Full IP67 Panel PC



## KEY FEATURES

- 11th Generation (Tiger Lake) Intel® Core™ i5-1135G7 2.4GHz (turbo to 4.2GHz)
- High Quality 15" Panel, 1024 x 768 resolution, 1000 nits
- Dust/ Water proof design with VESA mount Full IP67 Panel PC
- Aluminum Die-Casting Housing with Anti-Corrosion Treatments
- Build in ambient Light sensor, Full IP67 Panel PC
- Wide Range 9 to 36V DC Input with isolation. Optional for Ignition On/Off delay
- 5 Wire Resistive Touch / Anti-Reflective Protection Glass (Optional)

## INTRODUCTION

Winmate G-WIN IP67 Series Panel PC offers robust performance and versatility for demanding industrial environments. Available in sizes from 7" to 21.5", these fully sealed panel PCs feature IP67-rated water and dustproof protection, ensuring reliability in harsh conditions. Designed with a P-cap multi-touch screen, optical bonding, and optional anti-reflective glass, they deliver exceptional clarity and usability. The anti-corrosion aluminum die-cast housing, wide operating temperature range, and support for various OS make this series ideal for outdoor, manufacturing, and vehicle-mounted applications.

## OVERVIEW



### An actual flat, easy-to-clean front surface with an edge-to-edge design

Winmate's Flat aluminum P-Cap panel PCs and display go beyond standard industrial panel computers with an elegant, edge-to-edge design. Easy to maintain and clean to prevent water or liquid droplets penetrates every opening in the device.

### Full IP67 Protection against water and dust

Winmate G-WIN IP67 panel PC is dust and waterproof, and ideal for harsh environments.



No. 18, Zhongxing S. St., Sanchong Dist., New Taipei City 241017, Taiwan (R.O.C.)  
Tel: +886-2-8511-0288  
Website: www.winmate.com

Revised: V.240507.241125



**Fanless cooling system and ultra-low power consumption**

G-WIN series adopts a fanless design with passive cooling fins. Reduce noise, and power consumption, boost reliability, and extend the life cycle.

**Comprehensive IO Ports**

Winmate offers rugged and reliable industrial computing solutions. To meet various industrial applications, Winmate Panel PCs offer various IO interfaces.



**Rugged housing with anti-shock and vibration**

Winmate's G-WIN series panel PCs are designed and pass the US Defence standards environment tests. The overall construction of the G-WIN panel is inherently rugged with the aluminum die-cast housing and anti-corrosion to hold up even in exposed settings.

**SPECIFICATIONS**

| System Specification       |   |                              |  |
|----------------------------|---|------------------------------|--|
| <b>WLAN</b>                | Support (Optional)  | <b>BT</b>                    | Support (Optional)   |
| <b>Processor</b>           | Intel Core i5-1135G7 2.4GHz (up to 4.2GHz)  | <b>Memory</b>                | 1 x SO-DIMM, DDR4 3200 MHz, 4GB<br>8GB (Optional)<br>16GB (Optional)<br>32GB (Optional)  |
| <b>Storage</b>             | 1 x M.2 2280 M-Key NVMe SSD 128GB<br>256GB (Optional)<br>512GB (Optional)<br>1TB (Optional)<br>2TB (Optional)   | <b>Ethernet controller</b>   | 1 x Intel® Ethernet Controller   |
| <b>Security</b>            | TPM 2.0   | <b>Operating System</b>      | Windows 11 IoT Enterprise (64 bit) (Optional)<br>Windows 11 Pro 64 bit (Optional)<br>Linux Ubuntu 22.04(Do not support Wake on Touch) (Optional) |
| Display                    |   |                              |  |
| <b>Resolution</b>          | 1024x768  | <b>Size</b>                  | 15.0 inches  |
| <b>Contrast Ratio</b>      | 2000:1  | <b>Panel Brightness</b>      | 1000.0 nits  |
| <b>View Angles</b>         | 88,88,88,88   | <b>Active Area</b>           | 304.1x228.1 mm   |
| <b>Touch / Glass</b>       | Resistive Touch Screen Bonding With Panel<br>Protection Glass Without touch function (Optional)   |                              |  |
| Mechanical                 |   |                              |  |
| <b>Dimension</b>           | 398 x 308 x 58 mm   | <b>Weight</b>                | 4.2 kg   |
| <b>Mounting</b>            | VESA Mount<br>Yoke Mount  | <b>Enclosure</b>             | Aluminum Housing   |
| <b>Cooling System</b>      | Fanless design  |                              |  |
| Environment                |   |                              |  |
| <b>Operating Humidity</b>  | 10% to 90% RH, Non-Condensing   | <b>Operating Temperature</b> | -10°C to 55°C<br>-40°C to 70°C (with intelligent heater)   |
| <b>Storage Temperature</b> | -30°C to 70°C   | <b>Shock</b>                 | MIL-STD-810G Method 516.6 Procedure I  |
| <b>Vibration</b>           | MIL-STD-810G Method 514.6 Procedure I   | <b>IP rating</b>             | IP67   |
| Certification              |   |                              |  |
| <b>Certification</b>       | CE, FCC   |                              |  |
| IO Ports                   |   |                              |  |
| <b>Power Input</b>         | 1 x M12 waterproof connector for 9~36V DC   | <b>USB Port</b>              | 1 x M12 waterproof connector for 2 x USB2.0  |
| <b>Serial Port</b>         | 1 x M12 waterproof connector for RS232  | <b>LAN</b>                   | 1 x waterproof Giga LAN RJ45 connector   |
| <b>Indicator</b>           | 1 x LED Indicator for power<br>1 x LED Indicator for storage  |                              |  |
| Control                    |   |                              |  |
| <b>Button</b>              | 1 x "Power" key to power on the device.<br>1 x "+" key to increase screen brightness.<br>1 x "-" key to decrease screen brightness.<br>1 x "Menu" key can Automatically or manually adjusts brightness of the display screen<br>1 x Day / Night Mode button<br>1 x LED indicator brightness adjustment button |                              |  |





1 x Ambient Light sensor

**Accessory**

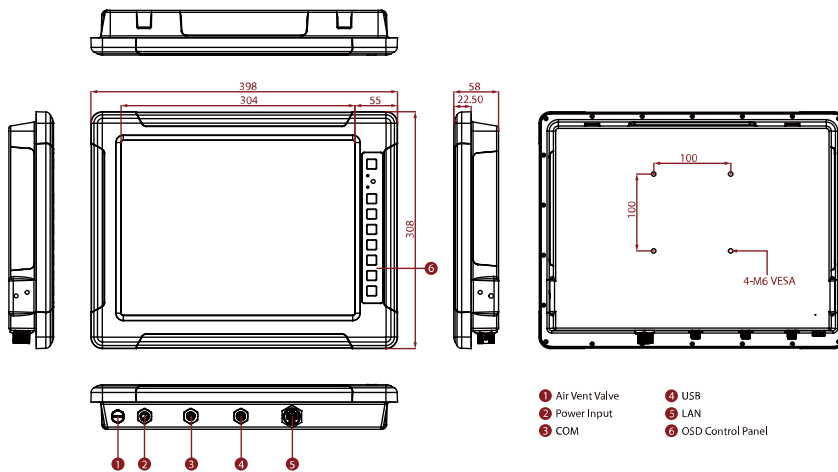
**Accessory**

External open wire Power cable with waterproof connector  
 External USB cable with waterproof connector  
 External COM cable with waterproof connector  
 External LAN cable with waterproof connector  
 Waterproof caps  
 RJ45 female-female converter  
 VESA screws

**Optional Accessory**

Yoke mount stand (Optional)  
 100~240V AC to DC 120W Adapter with power cord (Optional)

**DIMENSIONS** UNIT:MM



**NOTE**

1. This is a simplified drawing and some components are not marked in detail.
2. Weight of the device varies by configuration.
3. Please contact our sales representative if you need further product information.
4. All specifications are subject to change without prior notice.
5. The product shown in this datasheet is a standard model. For diagrams that contain customized or optional I/O, please contact the Winmate Sales Team for more information.

- 1 Air Vent Valve
- 2 Power Input
- 3 COM
- 4 USB
- 5 LAN
- 6 OSD Control Panel

## Assured Systems

Assured Systems is a leading technology company with over 1,500 regular clients in 80 countries, deploying over 85,000 systems to a diverse customer base in 12 years of business. We offer high-quality and innovative rugged computing, display, networking and data collection solutions to the embedded, industrial, and digital-out-of-home market sectors.

### US

[sales@assured-systems.com](mailto:sales@assured-systems.com)

Sales: +1 347 719 4508  
Support: +1 347 719 4508

1309 Coffeen Ave  
Ste 1200  
Sheridan  
WY 82801  
USA

### EMEA

[sales@assured-systems.com](mailto:sales@assured-systems.com)

Sales: +44 (0)1785 879 050  
Support: +44 (0)1785 879 050

Unit A5 Douglas Park  
Stone Business Park  
Stone  
ST15 0YJ  
United Kingdom

VAT Number: 120 9546 28  
Business Registration Number: 07699660