



R19IAD3S-67FTP(HB)

19" Intel® Core™ i5-1235U G-WIN Full IP67 P-CAP Panel PC



KEY FEATURES

- 12th Gen Intel® Core™ i5-1235U processor
- 19-inch sunlight viewable 1000 nits LCD panel
- Optical Bonding with Panel & Touch Screen to increase the clarity and transparency
- Touch screen control button to enable/disable touch screen interface
- Front control membrane keys Lockable by software
- Dust/ Water proof design Full IP67 Panel PC
- Fanless, streamlined enclosure for highly efficient heat dissipation
- Rugged Front Anti-Impact Design
- -10 to 55°C wide operating temperature
- Wide Range 9 to 36V DC Input with isolation. Optional for Ignition On/Off delay

INTRODUCTION

Winmate G-WIN IP67 Series Panel PC offers robust performance and versatility for demanding industrial environments. Available in sizes from 7" to 21.5", these fully sealed panel PCs feature IP67-rated water and dustproof protection, ensuring reliability in harsh conditions. Designed with a P-cap multi-touch screen, optical bonding, and optional anti-reflective glass, they deliver exceptional clarity and usability. The anti-corrosion aluminum die-cast housing, wide operating temperature range, and support for various OS make this series ideal for outdoor, manufacturing, and vehicle-mounted applications.

OVERVIEW



Elevated Practicality with True Flat Design

Winmate G-WIN IP67 Series Panel PC features an elegant, edge-to-edge, true flat design. Simplicity in maintenance and cleanliness ensures resistance to water or liquid penetration through any device opening.

Complete Protection Against Water and Dust in Harsh Environments

Winmate G-WIN IP67 features Full IP67 protection against water and dust, making it both dustproof and waterproof, ideal for demanding environments.



No. 18, Zhongxing S. St., Sanchong Dist., New Taipei City 241017, Taiwan (R.O.C.)
Tel: +886-2-8511-0288
Website: www.winmate.com

Revised: V.241015.241125



Fanless Cooling and Ultra-Low Power Consumption

Designed with a fanless architecture and a passive cooling system, the Winmate G-WIN IP67 Series Panel PC brings about practical benefits. This approach decreases noise levels, minimizes power consumption, improves reliability, and extends the overall life cycle of the product.

Comprehensive IO Ports

Winmate G-WIN IP67 Series Panel PC offers a range of I/O interfaces to meet diverse industrial applications. These interfaces allow seamless connectivity and interaction with various external devices and peripherals, enhancing the versatility of the Panel PCs across different applications.

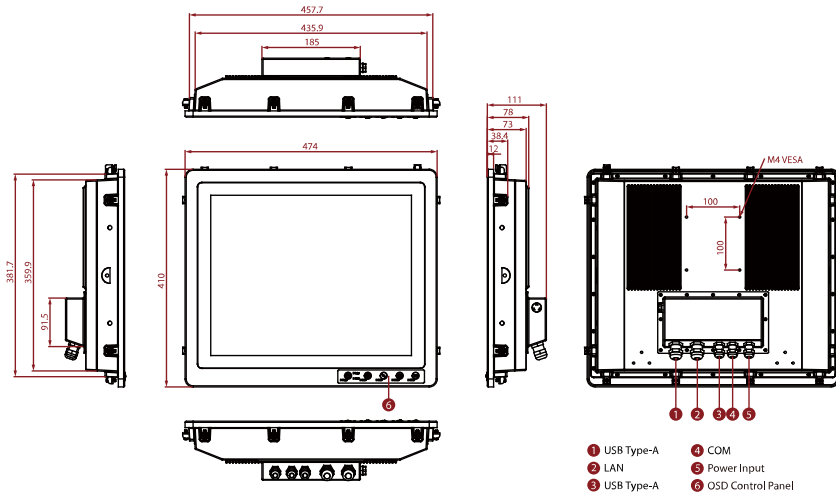


SPECIFICATIONS

System Specification			
WLAN	Support (Optional)	BT	Support (Optional)
Processor	Intel® Core™ i5-1235U 3.3GHz(up to 4.40 GHz)	Memory	1 x SO-DIMM, DDR5 4800 MHz, 8GB 16GB (Optional) 32GB (Optional)
Storage	1 x M.2 2280 M-Key NVMe SSD 256GB 512GB (Optional) 1TB (Optional) 2TB (Optional)	Ethernet controller	1 x Intel® Ethernet Controller
Security	TPM 2.0	Operating System	Windows 11 IoT Enterprise (64 bit) (Optional) Windows 11 Pro 64 bit (Optional) Linux Ubuntu 22.04(Do not support Wake on Touch) (Optional)
Display			
Touch / Glass	Projected Capacitive Multi Touch Screen Bonding With Panel	Resolution	1280x1024
Size	19.0 inches	Contrast Ratio	1000:1
Panel Brightness	1000.0 nits	View Angles	85,85,80,80
Active Area	376.32x301.06 mm		
Mechanical			
Dimension	474 x 410 x 111 mm	Weight	9.8 kg
Mounting	Panel mount VESA mount (Optional)	Enclosure	Aluminum Housing
Cooling System	Fanless Design	Cut out	462 x 386 mm
Environment			
Operating Humidity	10% to 90% RH, Non-Condensing	Operating Temperature	-10°C to 55°C -40°C to 70°C (with intelligent heater)
Storage Temperature	-30°C to 70°C	Shock	MIL-STD-810G Method 516.6 Procedure I
Vibration	MIL-STD-810G Method 514.6 Procedure I	IP rating	IP67
Certification			
Certification	CE, FCC		
IO Ports			
Power Input	1 x M12 waterproof connector for 9~36V DC	USB Port	1 x M12 waterproof connector for 2 x USB2.0 1 x Waterproof USB Type-A Connector with cover
Serial Port	1 x M12 waterproof connector for RS232	LAN	1 x waterproof Giga LAN RJ45 connector
Indicator	1 x LED Indicator for power 1 x LED Indicator for storage 1 x LED Indicator for heater 1 x LED Indicator for LAN 1 x LED Indicator for lock touch		
Control			
Button	1 x Power Button 1 x Brightness up Button 1 x Brightness down Button 1 x Button for locking touch function 1 x Programmable function key		
Accessory			
Accessory	External open wire Power cable with waterproof connector External USB cable with waterproof connector External COM cable with waterproof connector External LAN cable with waterproof connector Waterproof caps RJ45 female-female converter USB Type A converter Mounting clips VESA screws	Optional Accessory	100~240V AC to DC 120W Adapter with power cord (Optional)



DIMENSIONS UNIT:MM



NOTE

1. This is a simplified drawing and some components are not marked in detail.
2. Weight of the device varies by configuration.
3. Please contact our sales representative if you need further product information.
4. All specifications are subject to change without prior notice.
5. The product shown in this datasheet is a standard model. For diagrams that contain customized or optional I/O, please contact the Winmate Sales Team for more information.

Assured Systems

Assured Systems is a leading technology company with over 1,500 regular clients in 80 countries, deploying over 85,000 systems to a diverse customer base in 12 years of business. We offer high-quality and innovative rugged computing, display, networking and data collection solutions to the embedded, industrial, and digital-out-of-home market sectors.

US

sales@assured-systems.com

Sales: +1 347 719 4508
Support: +1 347 719 4508

1309 Coffeen Ave
Ste 1200
Sheridan
WY 82801
USA

EMEA

sales@assured-systems.com

Sales: +44 (0)1785 879 050
Support: +44 (0)1785 879 050

Unit A5 Douglas Park
Stone Business Park
Stone
ST15 0YJ
United Kingdom

VAT Number: 120 9546 28
Business Registration Number: 07699660