

IPPC 0811-B01

8" TFT WVGA 16:9 Heavy Industrial Panel PC with Intel Atom® E3845 Processor 1.91GHz, Multi-Touch Screen, 4GB DDR3L, M.2 64GB, 4 x Lan, 1 x COM



Main Features

- Intel Atom® E3845, Quad Core, 1.91GHz
- 8" PCAP multi-touch screen with AR coating
- 4 Gigabit Ethernet/mini DP for external monitor
- Auto dimming function can be adjust by ambient light
- DDR3L 4GB/M.2 SATA 64GB
- IP65 compliant front panel
- Built in 24VDC Isolated protection power input
- Mounting support: flush/VESA 75mm x 75mm

Product Overview

The 8" fanless panel PC IPPC 0811-B01 incorporating an industrial motherboard is intended for versatile industrial applications. The panel PC has a touch screen LED backlight LCD panel with 800 x 480 (WVGA) resolution. The front panel which adopts flush design and complies with IP65 standard makes it the perfect fit in industrial applications.

The IPPC 0811-B01 supports 4 Gigabit Ethernet connectors, and one M.2 slot. With support for isolated protection DC power input of 24VDC, IPPC 0811-B01 can gain a strong foothold in industrial field and machine devices. In addition, IPPC 0811-B01 can hook 2nd display via a mini DP for dual independent display. IPPC 0811-B01 has one adjustable RS232/422/485 ports.

Specifications

Panel

- LED size: 8", 16:9
- Resolution: WVGA 800 x 480
- Luminance: 600cd/m2
- Contrast ratio: 600
- LCD color: 16.2M
- Viewing angle: 60(U), 60(D), 70(L), 70(R)
- Backlight: LED

Touch Screen

- Ten points P-Cap (projected capacitive touch)
- Touch light transmission: 89%
- Anti-scratch surface: 7H hardness with AR coating
- Touch interface: USB

System

- CPU: onboard Intel Atom® processor E3845, 1.91 GHz, 2M L2 Cache
- BIOS: AMI BIOS
- System memory: 1 x 204-pin DDR3L SO-DIMM socket, 4GB DDR3L (default), support up to 4GB DDR3L-1866, non-ECC and un-buffered
- Storage device:
 - 1 x SATA M.2 2242 Key B connector, 64G M.2 SATA (default)
 - 1 x SATA connector, support SATA 3Gb/s and SATA 6Gb/s

- Watchdog timer: Watchdog timeout can be programmable by software from 1 second to 255 seconds and from 1 minute to 255 minutes (tolerance 15% under room temperature 25°C)
- H/W status monitor: monitoring system temperature, and voltage
- Front LED indicator to show operating status
- Backlight control
 - Control button: increase brightness, decrease brightness, backlight on/off
 - Auto dimming function can be adjust by ambient light sensor

Rear I/O

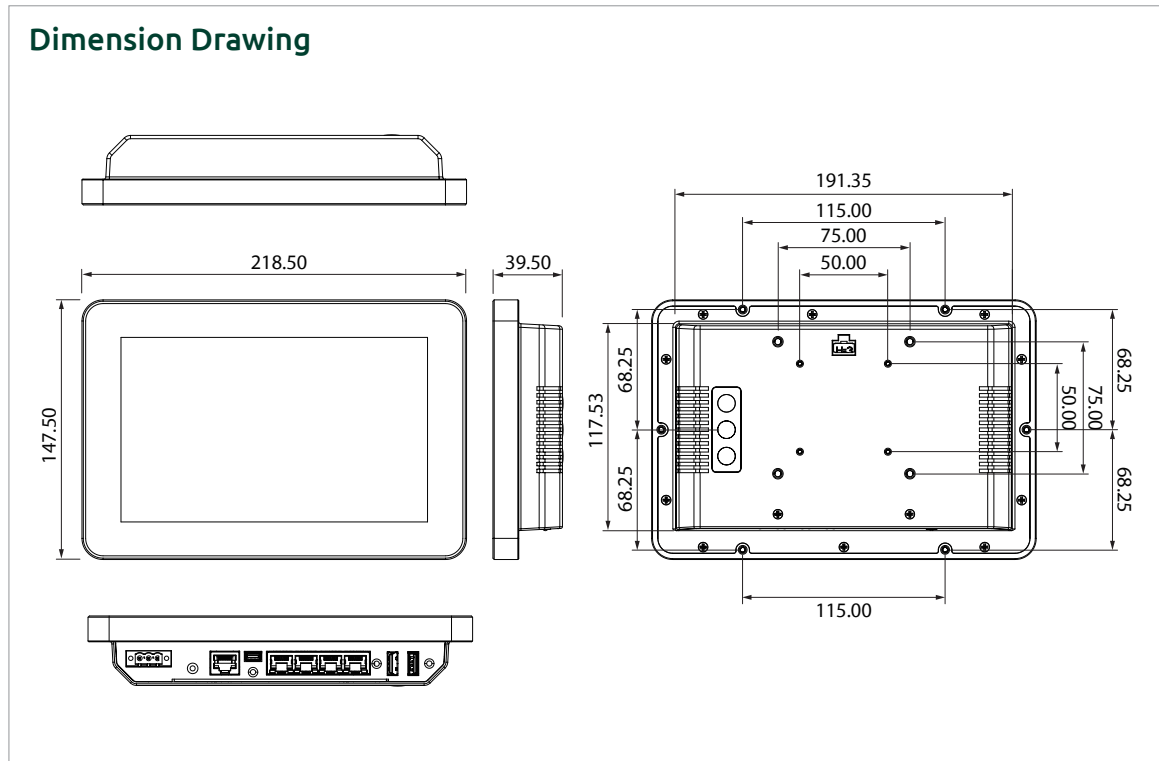
- Ethernet: 4 x RJ45
- 2nd DP: 1 x mini DP
- USB: 1 x USB 2.0, 1 x USB 3.0
- COM #1: 1 x RJ45 output for RS232/422/485
- Power status LED
- DC power input connector: 3-pin phoenix terminal blocks

Ethernet

- LAN chip: 4 x Intel® I210-HT Gigabit LAN
- Ethernet interface: 10/100/1000 Mbps
- Support wake up on LAN



www.nexaiot.com



Power Requirements

- Input voltage: 24VDC
- Reverse polarity protection
- Galvanic isolated
- Power consumption: 13W to 25W

Mechanical & Environment

- Fanless system design
- Color:
 - Pantone black RAL9005, powder painting for aluminum front bezel
 - Pantone 421C RAL7035, for aluminum back cover
- IP protection:
 - IP65 front bezel
 - IP20 back system
- Mounting: VESA 75mm x 75mm/flush (optional)
- Vibration:
 - 1.15Grms @ random condition, 1~200Hz, 1.5hr/axis (operating/non-operating)
- Shock
 - IEC 68 2-27
 - 20G @ wall mount, half sine, 11ms
- Operating temperature: -25°C to 60°C

- Storage temperature: -25°C to 75°C
- Operating humidity: 10%~90% relative humidity, non-condensing
- Dimension: 218.5 x 147.5 x 39.5 mm
- Weight: 3 kg

Certifications

- CE (including EN61000-6-2/EN61000-6-4)
- FCC class A

OS Support

- Windows 10 64-bit

Ordering Information

Barebone

- **IPPC 0811-B01 (P/N: 10II0081100X0)**
8" TFT WVGA 16:9 heavy industrial panel PC with Intel Atom® E3845 Processor 1.91GHz, multi-touch screen, 4GB DDR3L, M.2 64GB, 4 x Lan, 1 x COM, 1 x mini DP

Option

- **12V, 60W AC/DC power adapter w/o power cord (P/N: 7400060054X00)**

Assured Systems

Assured Systems is a leading technology company with over 1,500 regular clients in 80 countries, deploying over 85,000 systems to a diverse customer base in 12 years of business. We offer high-quality and innovative rugged computing, display, networking and data collection solutions to the embedded, industrial, and digital-out-of-home market sectors.

US

sales@assured-systems.com

Sales: +1 347 719 4508
Support: +1 347 719 4508

1309 Coffeen Ave
Ste 1200
Sheridan
WY 82801
USA

EMEA

sales@assured-systems.com

Sales: +44 (0)1785 879 050
Support: +44 (0)1785 879 050

Unit A5 Douglas Park
Stone Business Park
Stone
ST15 0YJ
United Kingdom

VAT Number: 120 9546 28
Business Registration Number: 07699660