

# W10IM3S-GSH2

## 10.1" ARM A53 G-WIN GS-Series Full IP65 PCAP Panel PC



### KEY FEATURES

- 10.1" 1280 x 800 with PCAP touchscreen
- ARM A53 Quad Core 2.0GHz
- Fanless cooling system and Ultralow power consumption
- Full IP65
- Onboard 32GB eMMC
- Onboard LPDDR4 4GB
- 1 x LAN, 1 x RS232, 1 x USB, 1 x Micro USB, 1 x Micro SD
- Support Android or Linux operating system

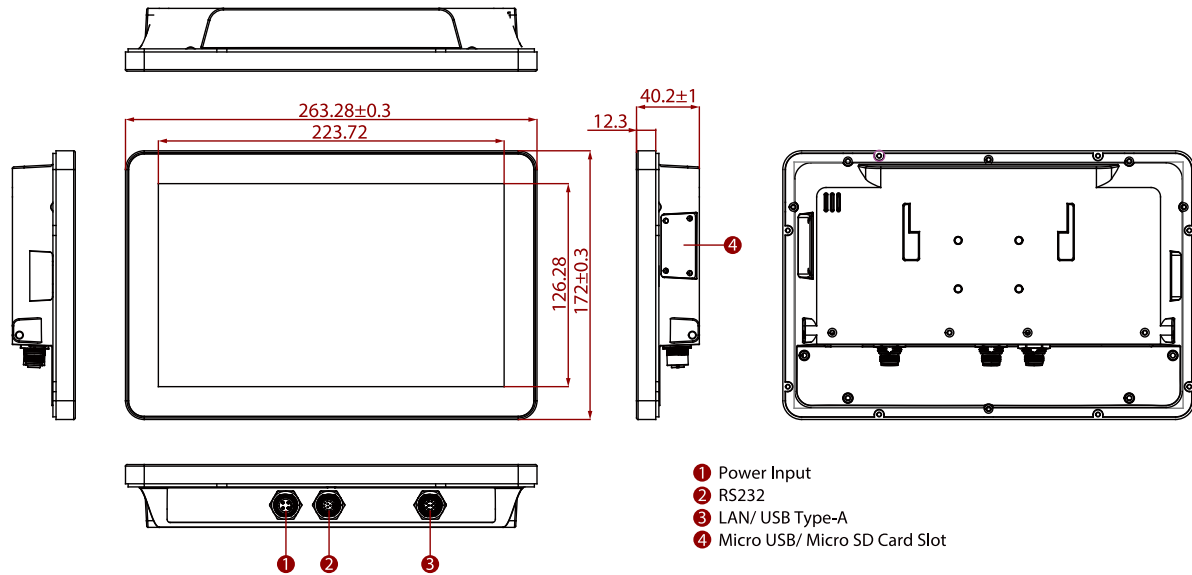


### SPECIFICATIONS

Display	
<b>Resolution</b>	1280x800
<b>Contrast Ratio</b>	800:1
<b>View Angles</b>	85,85,85,85
<b>Touch / Glass</b>	Projected Capacitive Multi Touch Screen Protection Glass (Optional)
<b>Size</b>	10.1 inches
<b>Panel Brightness</b>	350 nits
<b>Active Area</b>	216.96 x135.6 mm
System Specification	
<b>Processor</b>	ARM A53 Quad Core 2.0GHz
<b>Storage</b>	32GB eMMC
<b>Memory</b>	4GB LPDDR4
<b>Operating System</b>	Android 11 (Upgradeable to Android 13) Linux Yocto 5.10.104 with QT 5.15 (Optional) Linux Ubuntu (in 2023) (Optional)
Environment	
<b>Operating Humidity</b>	10% to 95% RH
<b>Storage Temperature</b>	-30°C~60°C
<b>Vibration</b>	1.48/1.90/2.24 g rms for XYZ/ 5-500Hz
<b>Operating Temperature</b>	-15°C~55°C
<b>Shock</b>	40g for 11ms
<b>IP rating</b>	Full IP65
Certification	
<b>Certification</b>	CE, FCC
IO Ports	
<b>USB Port</b>	1 X USB 2.0 (M12 type) 1 X Micro USB
<b>SD Card Slot</b>	1 x Micro SD card slot (Max to 32GB)
<b>LAN</b>	1 x LAN 10/100/1000 Mbps (M12 type)
<b>Serial Port</b>	1 x RS232 (M12 type)(Optional 422/485)
<b>Audio</b>	1 x Speaker
Mechanical	
<b>Dimension</b>	263.28 x 172 x 40.2 mm
<b>Enclosure</b>	Aluminum
<b>Mounting</b>	Panel Mount VESA Mount
<b>Cooling System</b>	Fanless Design
Power	
<b>Power Rating</b>	12V DC (M12 type)
Accessory	

**Accessory**  
Quick Start Guide (Hardcopy)  
M12 Power Cable  
M12 Serial Interface Cable  
M12 USB/ LAN Cable  
I/O Protective Cap x 3

**DIMENSIONS** UNIT:MM



**NOTE**

1. This is a simplified drawing and some components are not marked in detail.
2. Please contact our sales representative if you need further product information.
3. All specifications are subject to change without prior notice.
4. The product shown in this datasheet is a standard model. For diagrams that contain customized or optional I/O, please contact the Winmate Sales Team for more information.

## Assured Systems

Assured Systems is a leading technology company with over 1,500 regular clients in 80 countries, deploying over 85,000 systems to a diverse customer base in 12 years of business. We offer high-quality and innovative rugged computing, display, networking and data collection solutions to the embedded, industrial, and digital-out-of-home market sectors.

### US

[sales@assured-systems.com](mailto:sales@assured-systems.com)

Sales: +1 347 719 4508  
Support: +1 347 719 4508

1309 Coffeen Ave  
Ste 1200  
Sheridan  
WY 82801  
USA

### EMEA

[sales@assured-systems.com](mailto:sales@assured-systems.com)

Sales: +44 (0)1785 879 050  
Support: +44 (0)1785 879 050

Unit A5 Douglas Park  
Stone Business Park  
Stone  
ST15 0YJ  
United Kingdom

VAT Number: 120 9546 28  
Business Registration Number: 07699660