

GOT812L(H)-880

12.1" XGA TFT IP66 & IP69K-rated Stainless Steel Fanless PCT (or Resistive Touch) Panel Computer with Intel® Core™ i5 Processor and Flat Bezel Design (-20°C to +50°C)

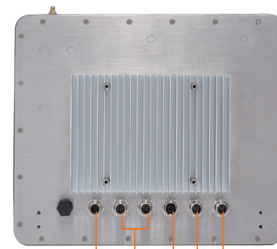
Features

- 12.1" XGA TFT flat bezel LCD display
- Sunlight readable solution with 800 nits of brightness
- IP66/IP69K-rated (NEMA 4X) water/dust/corrosion-proof design
- Full stainless steel enclosure with type 316
- -20°C to +50°C wide operating temperature range
- Fanless design with Intel® Core™ i5 processor
- Optional Wi-Fi/3G kit for wireless network connectivity
- 9 to 36 VDC wide range power input
- M12 type connectors for harsh environments



▲ Side view

1. Backlight on/off
2. Brightness adjust +/-
3. Power on/off



4. DC power connector
5. 4 x USB 2.0
6. 1 x LAN
7. 1 x RS-232/422/485 (default: RS-232)
8. 1 x RS-232



Introduction

The 12-inch GOT812L(H)-880 is specially designed for food processing applications. Its IP66-rated stainless steel housing protects entire system from damage of water, powder and dust. It also supports a wide operating temperature range from -20°C to +50°C. Thus, this robust unit is specifically designed for high humidity, dusty or wet spaces in food factories or kitchens and more harsh applications.

Sunlight Readable Design

The GOT812L(H)-880 features sunlight readable technology with 800 nits of brightness and low reflective touchscreen allows the screen legible even under strong sunlight.

Full IP66 and IP69K Certified

The GOT812L(H)-880 adopts a water/dust-proof housing design with five IP66-rated connectors, M12 I/O connectors and IP69K that ensures the product's ability to resist ingress of high temperature and high pressure water. It passed entire system IP66 test by SGS and verified salt mist test. Additionally, it was tested by a spray nozzle with high temperature water (+80°C), a flow rate of 14 to 16 L/min and a nozzle hold with distance 10 to 15 cm away from the device at angles of 0°, 30°, 60° and 90° for 30 seconds. The GOT812L(H)-880 is qualified to meet harsh environment applications.

Wide Temp. (-20°C to +50°C) & Anti-vibration (2G) Design

The GOT812L(H)-880 featuring fanless and noiseless design supports a wide operating temperature range from -20°C to +50°C. Besides, the patent of anti-vibration for SSD ensures system reliability and stability.

Specifications

Enclosure	Stainless type 316	
LCD Panel	Display Type	12.1" XGA TFT LCD
	Brightness (cd/m ²)	800 nits LCD (GOT812H-880) 500 nits LCD (GOT812L-880)
	Resolution	1024 x 768
	Viewing Angle (H/V)	160°/160°
Main System	CPU	Intel® Core™ i5 4300U 1.9 GHz (Haswell ULT)
	Chipset	SoC integrated
	System Memory	1 x 204-pin DDR3L-1600 SO-DIMM, up to 8GB
	BIOS	AMI with Axiomtek standard features, such as, SmartView, Ethernet Boot ROM (RPL & PXE), customer CMOS backup
	Storage	1 x 2.5" SSD
	Watchdog Timer	255 levels, 1 to 255 sec.
	Onboard Graphics	Integrated in Intel® GFX

Specifications

I/O Connector	2 x RS-232/422/485 (default RS-232, A-coded) 4 x USB 2.0 (A-coded) 1 x 10/100/1000 Mbps Ethernet (Intel® i218-LM; X-coded)
Expansion Interface	2 x PCI Express Mini Card slot
Touchscreen	5-wire resistive touch or projected capacitive multi-touch
Power Input	9 to 36 VDC
Power Consumption	56W
Dimensions	318 mm (12.52") (W) x 248.5 mm (9.78") (D) x 75.3 mm (2.96") (H)
Packing Dimensions	510 mm (20.07") (W) x 186 mm (7.32") (D) x 532 mm (20.94") (H)
Weight (net/gross)	4.27 kg (9.41 lb)/5.77 kg (12.72 lb)
Operating Temperature	-20°C to +50°C (-4°F to +122°F)
Relative Humidity	10% to 95% @ +40°C, non-condensing
Operation Vibration	2G, 5 - 500Hz, random for 2.5" SSD
Certifications	CE

* W.T.: Wide Temperature. All W.T. supported products have to be sorted by Axiomtek.

Packing List

- 1 x GOT812L(H)-880
- 1 x Driver DVD
- 1 x DC cable

Ordering Information

GOT812L-880-C-DC	12.1" XGA fanless IP66 & IP69K-rated stainless steel touch panel computer with Intel® Core™ i5 4300U, projected capacitive touch screen, 500 nits LCD and 9 to 36 VDC power input
GOT812L-880-C-RF-DC	12.1" XGA fanless IP66 & IP69K-rated stainless steel touch panel computer with Intel® Core™ i5 4300U, projected capacitive touch screen, 500 nits LCD, 9 to 36 VDC power input and Wi-Fi or 3G
GOT812H-880-R-DC	12.1" XGA fanless IP66 & IP69K-rated stainless steel touch panel computer with Intel® Core™ i5 4300U, 5-wire flat resistive touch screen, 800 nits LCD and 9 to 36 VDC power input
GOT812H-880-R-RF-DC	12.1" XGA fanless IP66 & IP69K-rated stainless steel touch panel computer with Intel® Core™ i5 4300U, 5-wire flat resistive touch screen, 800 nits LCD, 9 to 36 VDC power input and Wi-Fi or 3G

*Specifications and certifications may vary based on different requirements.

Optional Accessories

594B8122100E	Water-proof COM cable (1.8 m)
594B8152710E	Water-proof LAN cable (1.8 m)
50966D45010E	Adapter 24V 120W, M12 A-code 5P, LTE120ES
594B8122820E	Water-proof USB cable (1.8 m)
822B8120070E	GOT812 keyboard bracket (without keyboard)

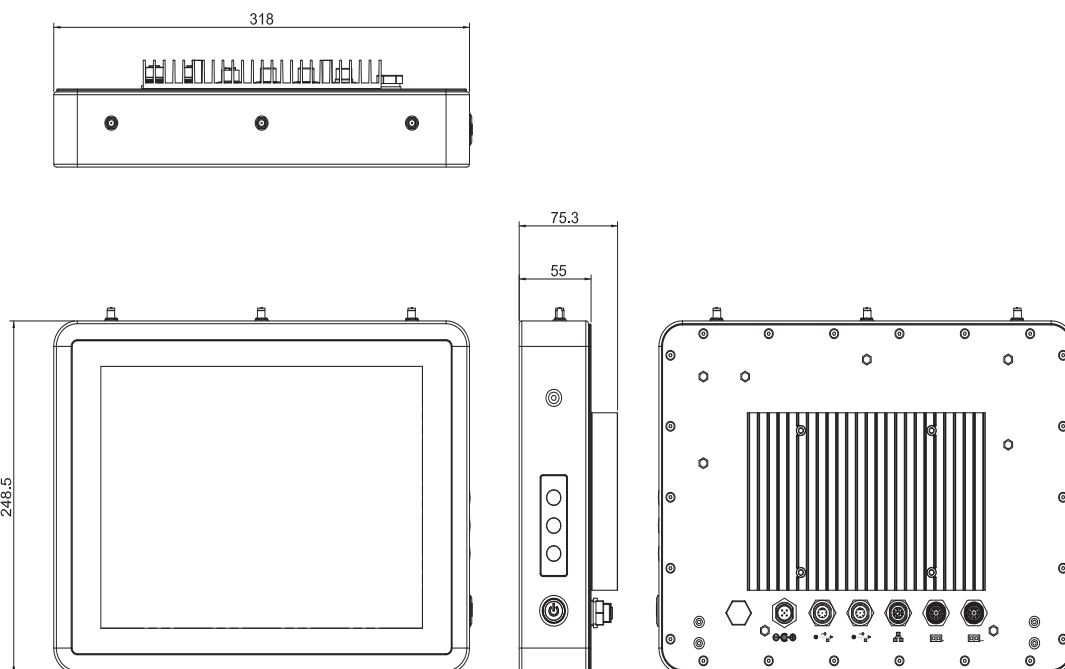
Optional EOS Installation

- WES 7
- WE8S
- Windows® 10 IoT

Optional OS Installation

- Windows® 7
- Windows® 8/8.1
- Windows® 10

Dimensions



Assured Systems

Assured Systems is a leading technology company with over 1,500 regular clients in 80 countries, deploying over 85,000 systems to a diverse customer base in 12 years of business. We offer high-quality and innovative rugged computing, display, networking and data collection solutions to the embedded, industrial, and digital-out-of-home market sectors.

US

sales@assured-systems.com

Sales: +1 347 719 4508
Support: +1 347 719 4508

1309 Coffeen Ave
Ste 1200
Sheridan
WY 82801
USA

EMEA

sales@assured-systems.com

Sales: +44 (0)1785 879 050
Support: +44 (0)1785 879 050

Unit A5 Douglas Park
Stone Business Park
Stone
ST15 0YJ
United Kingdom

VAT Number: 120 9546 28
Business Registration Number: 07699660