

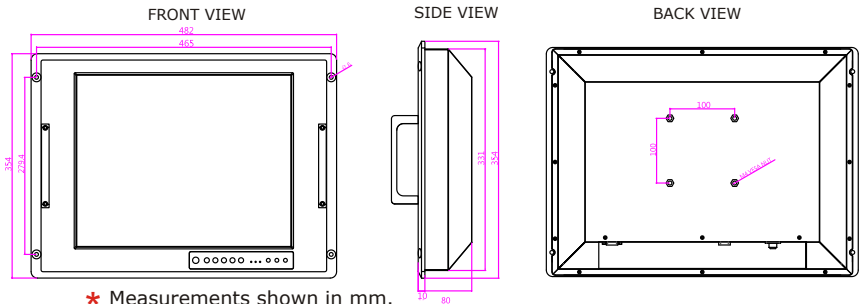
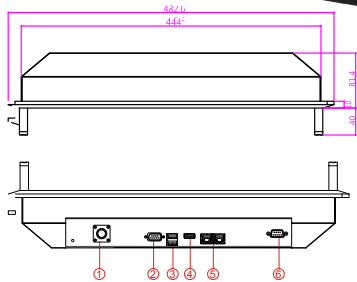
Military Grade 17" Rack Mount Panel PC (Intel® Celeron Platform)

MODEL #: R17IB3S-RKA1ML

Mechanical Design



- 17" SXGA TFT-LCD
- Intel® Celeron N2930 2.16GHz Processor
- Anti-Corrosion Housing / Fanless
- Compliant with MIL-STD-810G/F
- Flush Rack / Rack Mount Mechanical Design (8U)
- Convenient On-Screen Display Controls
- AC 110~240V Power input default / Isolation DC 9~36V Power input (Optional)
- Built-in Light Sensor for auto brightness control
- Military Grade Power Connector (MIL-DTL-38999/1)



1. Power in (MIL-DTL-38999/1)
2. RS232/422/485 (Default RS232)
3. 1 x USB 2.0 / 1 x USB 3.0
4. HDMI
5. LANx2
6. RS-232(Optional)

- * Measurements shown in mm.
- * Tolerance of all dimensions is shown as follow 0~30 mm ± 0.1 mm, 30~50 mm ± 0.15 mm, 50~120 mm ± 0.2 mm, above 120 mm ± 0.25 mm.
- * Note: this is a simplified drawing and some components are not marked in detail. Please contact our sales representative if you need further product information.

Display Specification

Characteristics :

- Resolutions : 1280 x 1024
- Brightness : 350 cd/m² (typ.)
- Contrast Ratio : 1000 : 1(typ.)
- Viewing Angles : -85~85(H); -80~80(V)
- Max Colors : 16.7M (Colors)

System Specifications :

- Processor : Intel® Celeron N2930 2.16GHz
- BIOS : AMI 16Mbit Flash
- System Chipset : Intel® SoC Integrated
- System Memory : 1 x SO-DIMM DDR3L 1066/1333, Default 4GB
- Lan Controller : Intel® I210-AT GbE LANx2
- Storage : mSATA SSD, Default 64GB
- Audio Codec : Realtek ALC886 HD Audio Codec
- * A customized housing is needed if you would like to have the PCI expansion.

Power Specifications :

- Power Input : Default AC 110~240V in
Optional isolation 9~36V DC in

Environment Considerations :

- Operating Temperature : -20°C~60°C
- Storage Temperature : -30°C~70°C
- Operating Humidity : 95%RH ±3%

I/O Connectors :

- Plug & Play : VESA DDC 1/2B
- Back Panel I/O Port: 1 x Power Input (Military Grade Connector)
1 x USB2.0, 1 x USB3.0
1 x RS232(Default)/422/485
2 x RJ-45
1 x VGA
1 x RS232 (Optional)

I/O Connectors

- Plug & Play : VESA DDC 1/2B
- Back Panel I/O Port : 1 x Power Input (Military Grade Connector)
1 x USB2.0, 1 x USB3.0
1 x RS232(Default)/422/485
2 x RJ-45
1 x VGA
1 x RS232 (Optional)

Order Information (Optional):

- Touch** : 5 Wires Resistive / 5 Wire Resistive with EMI Coating
- Glass** : EMI Coating Glass (Default AR Glass)
- OS** : Windows Embedded Standard 7
Windows Embedded 8 Standard
Windows Embedded 8.1 Industry
Windows 10 IoT Enterprise
- Storage** : mSATA SSD up to 256GB
- RAM** : SO-DIMM DDR3 1666, max up to 8GB
- Power** : Optional isolation 9~36V DC in

Accessories :

- Military Grade MIL-DTL-38999/1 Power Cord
- Driver & Manual CD

Environmental(MIL-STD 810F/G Compliance)

- Vibration : MIL-STD-810F/G Method 514.5
- Humidity : MIL-STD-810F/G Method 507.4
- Transit Drop : MIL-STD-810F/G Method 516.5

Environmental(MIL-STD 461E/F Compliance)

- RE : RE 101 / RE 102
- CE : CE 101 / CE 102
- Optional with EMI Glass / Touch
- RS : RS101 / RS103
- CS : CS 101 / CS 106 / CS 109 / CS 114
CS 115 / CS 116

* If you require external test report, Winmate will charge NRE fee.

Assured Systems

Assured Systems is a leading technology company with over 1,500 regular clients in 80 countries, deploying over 85,000 systems to a diverse customer base in 12 years of business. We offer high-quality and innovative rugged computing, display, networking and data collection solutions to the embedded, industrial, and digital-out-of-home market sectors.

US

sales@assured-systems.com

Sales: +1 347 719 4508
Support: +1 347 719 4508

1309 Coffeen Ave
Ste 1200
Sheridan
WY 82801
USA

EMEA

sales@assured-systems.com

Sales: +44 (0)1785 879 050
Support: +44 (0)1785 879 050

Unit A5 Douglas Park
Stone Business Park
Stone
ST15 0YJ
United Kingdom

VAT Number: 120 9546 28
Business Registration Number: 07699660