

ViTAM-610P/R/G(H)

10.1" IP66 / IP69K Stainless Steel Panel PC

Industrial Panel PC

HMI Controller

Industrial Display Monitor

Box PC



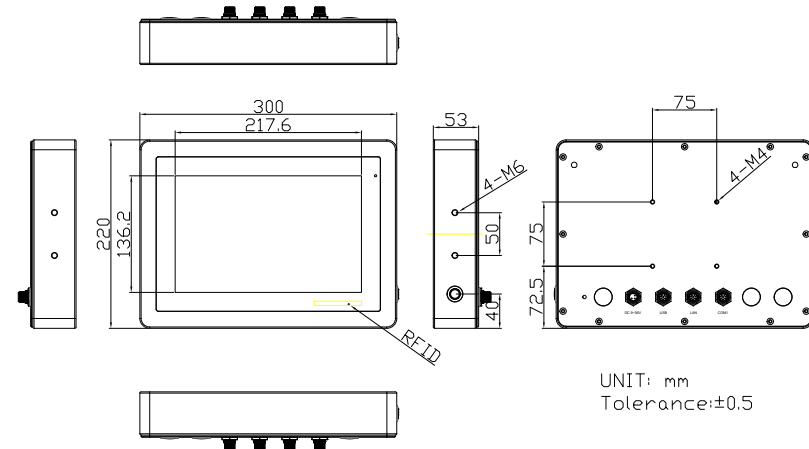
Features

- 10.1" New Generation Stainless Steel Panel PC
- Freescale i.MX6 DualLite 1.0GHz Onboard Processor
- True Flat Front Bezel Design and Grade 304 Stainless Steel Enclosure (Grade 316 for Option)
- IP66/IP69K Rated with M12 Connectors
- Support Resistive Touch, Projected Capacitive Touch, and Glass
- Touch on/off Button on the Side Edge for Hygienic Cleaning
- Support Ergonomic Versatile Mounting: Yoke Mounting / Space-saving VESA 75 x 75 mm Mounting

Specifications

System		
CPU	Freescale i.MX6 Dual Lite, ARM Cortex A9(2x Cores, 1.0GHz)	
System Chipset	SoC	
Memory	Onboard 1GB DDR3 SDRAM	
IO Port		
USB	1 x M12 8-pin for 2 x USB 2.0 with waterproof cover and chain	
Serial / Parallel	1 x M12 8-pin COM1, RS-232/422/485, default RS-232, with waterproof cover and chain	
LAN	1 x M12 8-pin for LAN with waterproof cover and chain (PoE for option)	
Others	1 x Touch on/off button at the side	
Power Connector	1 x M12 3-pin for DC power with waterproof cover and chain 1 x Power switch on the rear	
Option	2 x M12 blank for option 1 x CAN 1 x PoE	
Storage Space		
eMMC	Onboard 4GB eMMC NAND Flash	
Expansion		
Expansion slot	1 x Full-size mini-PCIe socket (PCIe + USB) for WIFI/BT/LTE(optional)	
RFID module	RFID module design on the front side(optional)	
Display		
	Standard	High Brightness Optional
Display Type	10.1" TFT-LCD	10.1" TFT-LCD
Max. Resolution	1280 x 800	1280 x 800
Max. Color	16.7M	16.7M
Luminance (cd/m ²)	350	1000
View Angle	170(H)/170(V)	170(H)/170(V)
Contrast	800:1	800:1
Backlight Lifetime	25,000 hrs	50,000 hrs
Touch Screen		
Type	Resistive Touch (For R model) Projected Capacitive Touch (For P model) Glass (For G model)	
Interface	SPI(Resistive Touch) / USB(Projected Capacitive Touch)	
Light Transmission(%)	Resistive Touch : 80% / Projected Capacitive : 90%	
Power		
Power Input	DC 9~36V	
Power Consumption	ViTAM-610P: 10W	

Dimensions



UNIT: mm
Tolerance:±0.5

Mechanical	
Construction	304 Stainless steel chassis(default), 316 Stainless steel chassis(optional)
Mounting	VESA mount 75 x 75, Yoke mount (optional)
IP Rating	Total IP66/IP69K
Dimensions	300 x 220 x 53 mm
Net Weight	3.8 kg
Environmental	
Operating Temperature	0~50°C / -20~60°C (option)
Storage Temperature	-30~70°C
Humidity	10 to 95% @ 40°C, non- condensing
Certificate	CE/FCC Class A
Operating System Support	
Android 6.0.1 / Linux kernel 4.9.88:Yocto + Chromium Browser V67	
Ordering Information	
ViTAM-610P	10.1" WXGA IP66/IP69K stainless steel panel pc, Freescale i.MX6 Dual Lite ARM Cortex A9, 1GB DDR3 RAM, 4GB eMMC, projected capacitive touch, 9~36V DC power input with Adapter
ViTAM-610R	10.1" WXGA IP66/IP69K stainless steel panel panel pc, Freescale i.MX6 Dual Lite ARM Cortex A9, 1GB DDR3 RAM, 4GB eMMC, 5 wire resistive touch window, 9~36V DC power input with Adapter
ViTAM-610G	10.1" WXGA IP66/IP69K stainless steel panel pc, Freescale i.MX6 Dual Lite ARM Cortex A9, 1GB DDR3 RAM, 4GB eMMC, protection glass, 9~36V DC power input with Adapter
ViTAM-610PH	10.1" WXGA IP66/IP69K stainless steel panel pc, Freescale i.MX6 Dual Lite ARM Cortex A9, 1GB DDR3 RAM, 4GB eMMC, projected capacitive touch, 9~36V DC power input with Adapter, 1,000 nits LCD
ViTAM-610RH	10.1" WXGA IP66/IP69K stainless steel panel panel pc, Freescale i.MX6 Dual Lite ARM Cortex A9, 1GB DDR3 RAM, 4GB eMMC, 5 wire resistive touch window, 9~36V DC power input with Adapter, 1,000 nits LCD
ViTAM-610GH	10.1" WXGA IP66/IP69K stainless steel panel pc, Freescale i.MX6 Dual Lite ARM Cortex A9, 1GB DDR3 RAM, 4GB eMMC, protection glass, 9~36V DC power input with Adapter, 1,000 nits LCD

Assured Systems

Assured Systems is a leading technology company with over 1,500 regular clients in 80 countries, deploying over 85,000 systems to a diverse customer base in 12 years of business. We offer high-quality and innovative rugged computing, display, networking and data collection solutions to the embedded, industrial, and digital-out-of-home market sectors.

US

sales@assured-systems.com

Sales: +1 347 719 4508
Support: +1 347 719 4508

1309 Coffeen Ave
Ste 1200
Sheridan
WY 82801
USA

EMEA

sales@assured-systems.com

Sales: +44 (0)1785 879 050
Support: +44 (0)1785 879 050

Unit A5 Douglas Park
Stone Business Park
Stone
ST15 0YJ
United Kingdom

VAT Number: 120 9546 28
Business Registration Number: 07699660