

Giada G302

High-Performance Embedded PC with Multi-Screen Output



Features

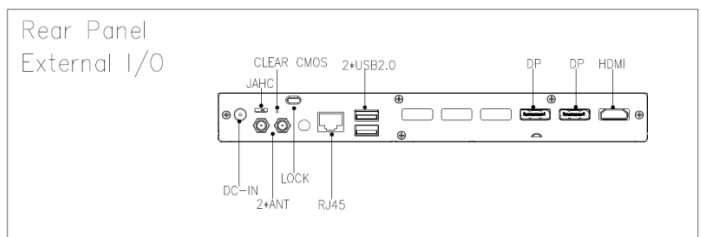
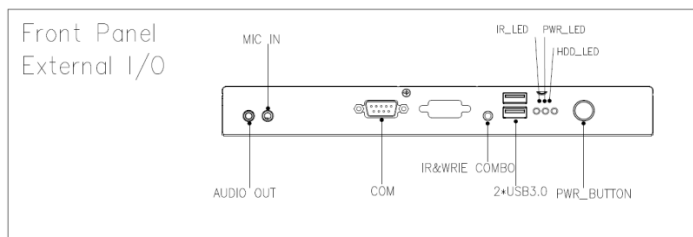
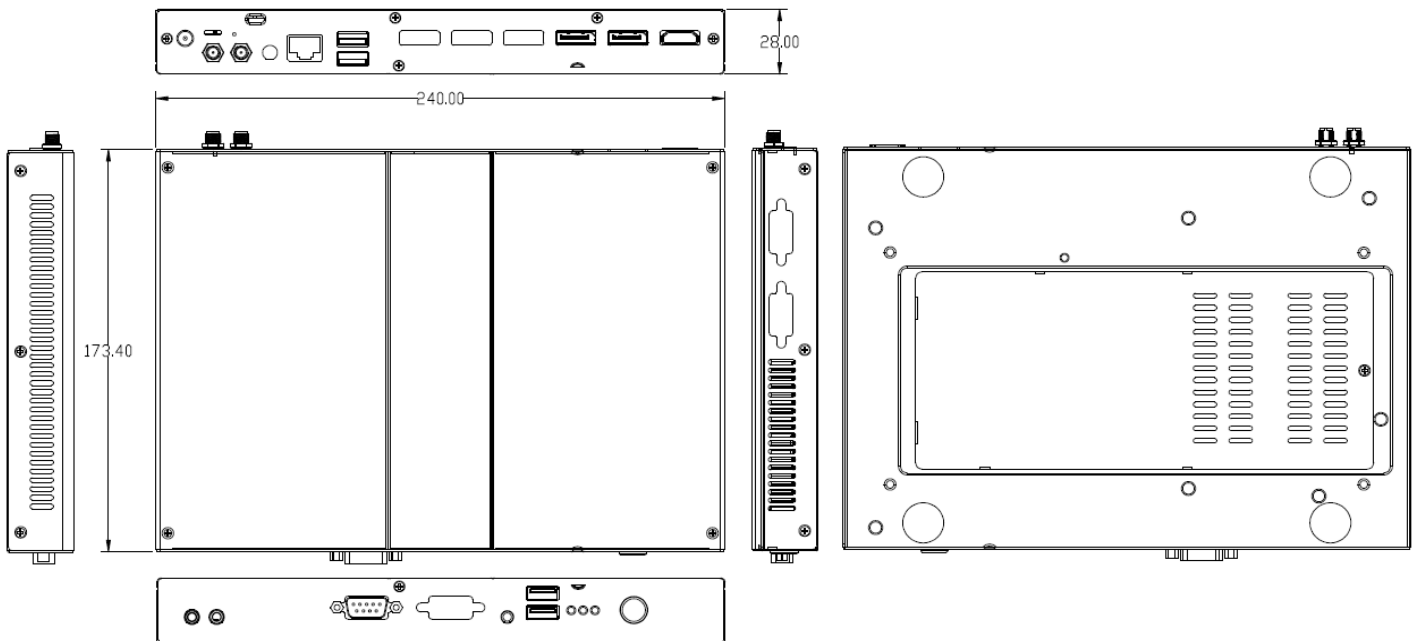
- ◆ Intel® Core i3-5010U Processors
- ◆ 2 x SO-DIMM DDR3L-1600MHz, Up to 16GB
- ◆ 2 x DP, 1 x HDMI
- ◆ 1 x 2.5" SATA, 1 x mSATA
- ◆ 2 x USB3.0, 2 x USB2.0, 1 x RS232
- ◆ 1 x RJ45, 1 x Mini-PCIe for WiFi/BT/3G/4G, 1 x SIM Slot

Specifications

RoHS CE FC CCC

		G302-B3000
Processor	CPU	Intel® Core i3-5010U
	Frequency	2.10 GHz
	BIOS	AMI Source Code
	Chipset	SOC
Memory	Type	DDR3L-1600MHz
	Socket	2 x SO-DIMM
	Max Size	16GB
Graphics	GPU	NVIDIA GT730, SDDR3 2GB
	Graphic Engine	DirectX11.1, OpenGL4.4 and OpenCL 1.2
	HDMI	1 x HDMI (Max. 2560 x 1600 @60Hz)
	DP	2 x DP (Max. 2560 x 1600 @60Hz)
Network	Controller	Realtek RTL8111F Gigabit Ethernet
	Interface	1 x RJ45
I/O	USB	2 x USB 3.0, 2 x USB2.0
	Display Interface	2 x DP1.2, 1 x HDMI
	LAN	1 x RJ45
	Serial Port	1 x RS232
	Audio	1 x MIC-IN, 1 x AUDIO-OUT & SPDIF
	Mini-PCIe1#	1 x Full-size Mini-PCIe for mSATA
	Mini-PCIe2#	1 x Full-size Mini-PCIe for WiFi/BT/3G/4G
	SIM	1 x SIM Slot
	JAHC Switch	1
Storage	SATA	1 x 2.5" SATA
	mSATA	1 x Full-size mSATA
JAHC Tech	WatchDog Timer	0~255 Second Time Out Support
	Auto Power On	Power Activated Automatically Start
	RTC	Set Up Independently Every day, A Week as a Cycle
	Remote Control	By IR Controller for Power On
	Wake On Lan	Supported
Operation System	Windows	Windows 7/8.1/10 (64-bit)
	Linux	Supported

G302-B3000		
Power	Power Type	DC-IN
	Input Voltage	19V/4.74A
Mechanical	Dimensions (W x D x H)	240mm x 173.4mm x 28 mm
	Construction	Metal
	Mounting (Optional)	Wall Mounting and VESA Mounting (JZ300)
	Color	Black
Environment	Operating Temperature	0°C ~ 40°C (32 °F ~ 104 °F) at 0.7m/s Air Flow
	Relative Humidity	95% @ 40°C (non-condensing)
Certification	Certification	CE, FCC Class B, CCC



Order Information

Part Number	Intel CPU	RAM	DP	RS232	GbE	USB	Audio	mSATA	Operating Temperature
G302-B3000	Core i3-5010U	Up to 16GB	2	1	1	2 x USB 3.0 2 x USB 2.0	1 x MIC-IN 1 x AUDIO-OUT	1	0-40°C

Packing List

Part Number	Description	Part Number	Description
-	1 x G302	-	1 x Drive Disk
-	1 x User Manual	-	1 x AC Power Adapter
-	1 x AC Power Cable		

Assured Systems

Assured Systems is a leading technology company with over 1,500 regular clients in 80 countries, deploying over 85,000 systems to a diverse customer base in 12 years of business. We offer high-quality and innovative rugged computing, display, networking and data collection solutions to the embedded, industrial, and digital-out-of-home market sectors.

US

sales@assured-systems.com

Sales: +1 347 719 4508
Support: +1 347 719 4508

1309 Coffeen Ave
Ste 1200
Sheridan
WY 82801
USA

EMEA

sales@assured-systems.com

Sales: +44 (0)1785 879 050
Support: +44 (0)1785 879 050

Unit A5 Douglas Park
Stone Business Park
Stone
ST15 0YJ
United Kingdom

VAT Number: 120 9546 28
Business Registration Number: 07699660