

# W24IAD7T-GPA2

## 23.8" Edge AI Panel PC with Intel® Alder Lake S / Raptor Lake S Processor



### KEY FEATURES

- 23.8", 1920 x 1080 resolution with P-CAP touchscreen
- Supports Intel® 12/14th generation Alder Lake S / Raptor Lake S processor
- Supports single NVIDIA RTX™ A2000/ T1000 GPU
- Supports Intel® vPro
- Up to 2 x 262pin SODIMM DDR5 4800MHz up to 64GB(32GB per Slot)
- 2 x Intel 2.5 Gigabit LAN, 4 x USB3.2 Gen 2x1
- Supports Two display, 1 x HDMI 2.0, 1 x DP 1.4a
- 80 ~ 264 VAC Power Input with 3 Pin AC Plug

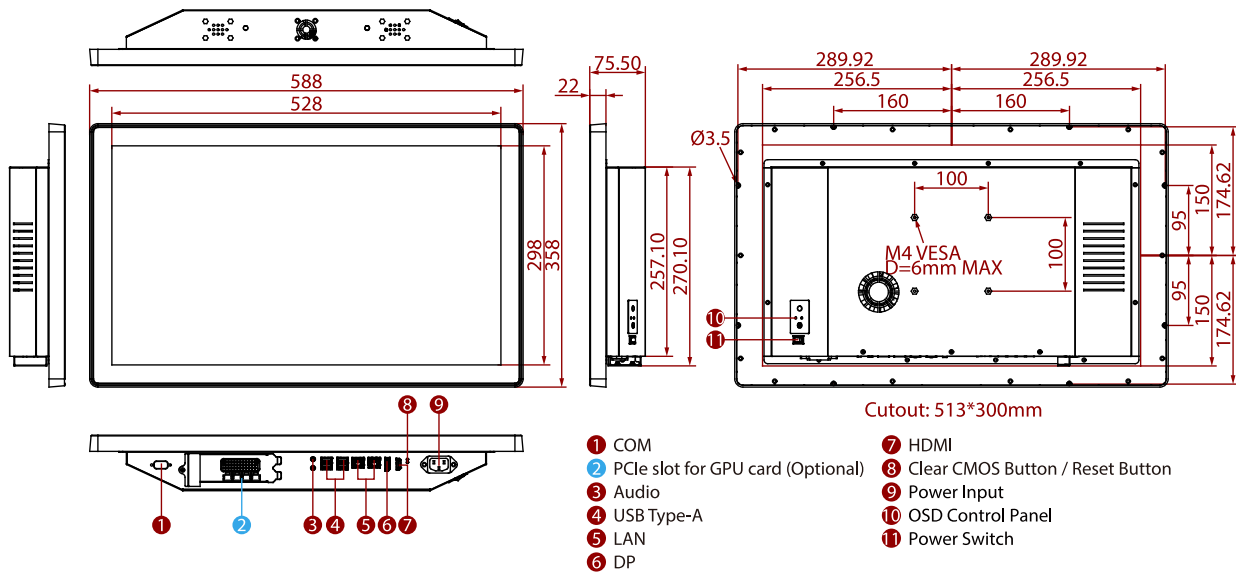


### SPECIFICATIONS

Display			
<b>Resolution</b>	1920x1080	<b>Size</b>	23.8 inches
<b>Contrast Ratio</b>	3000:1	<b>Panel Brightness</b>	250.0 nits
<b>View Angles</b>	89,89,89,89	<b>Active Area</b>	527.04x296.46 mm
<b>Touch / Glass</b>	Projected Capacitive Multi Touch Screen		
System Specification			
<b>Processor</b>	Intel® Core™ i7-12700TE(up to 4.6GHz) Intel® Core™ i9-12900TE(up to 4.80GHz) (Optional) Intel® Core™ i7-14700T(up to 5.2GHz) (Optional) Intel® Core™ i9-14900T(up to 5.5GHz) (Optional)	<b>Chipset</b>	Intel® R680E
<b>Memory</b>	SO-DIMM, DDR5 4800 MHz, 8+8GB 16+16GB (Optional) 32+32GB (Optional)	<b>Storage</b>	1 x M.2 2280 M-Key NVMe SSD, 512GB 1TB (Optional) 2TB (Optional)
<b>Ethernet controller</b>	2 x Intel® 2.5 Gigabit Ethernet Controller	<b>Security</b>	TPM 2.0
<b>Operating System</b>	Windows 11 IoT Enterprise (64 bit) (Optional) Windows 11 Pro 64 bit (Optional) Linux Ubuntu 22.04(Do not support Wake on Touch) (Optional)	<b>WLAN</b>	Support (Optional)
<b>BT</b>	Support (Optional)	<b>AI Accelerator</b>	Hailo 8™ AI accelerator module, up to 26 TOPS(When using this feature, WLAN will not be supported) (Optional)
<b>Graphic Card</b>	NVIDIA® RTX A2000 12GB Graphic Card (Optional) NVIDIA® T1000 8GB Graphic Card (Optional)		
Mechanical			
<b>Dimension</b>	588 x 358 x 75.5 mm	<b>Weight</b>	8.5 kg
<b>Mounting</b>	Panel mount VESA Mount	<b>Enclosure</b>	Metal Housing
<b>Cooling System</b>	Fan design	<b>Cut out</b>	513 x 300 mm
Environment			
<b>Operating Humidity</b>	10% to 90% RH, Non-Condensing	<b>Operating Temperature</b>	0°C to 55°C
<b>Storage Temperature</b>	-10°C to 60°C	<b>IP rating</b>	Front IP65

Certification			
Certification	CE, FCC		
IO Ports			
Power Input	1 x 3 Pin AC Plug	USB Port	4 x USB 3.2 Gen2x1 (10Gbps, TypeA)
Serial Port	1 x RS232/422/485 (Default RS232)	Video	1 x DP1.4a DP++ , Max resolution up to 4096x2160@60Hz 1 x HDMI 2.0b , Max resolution up to 4096x2160@60Hz (Optional)
Audio	Mic in Line out	Expansion Port	1 x M.2 2280 M-Key Slot (for NVME SSD) 1 x M.2 2230 E-Key Slot (for Wi-Fi module or Hailo 8™ AI accelerator module) 1 x PCIe 5.0 (x16) slot
LAN	2 x 2.5 Giga LAN RJ45 Connector	Indicator	1 x LED Indicator for power 1 x LED Indicator for storage
Control			
Button	1 x AC Power Switch 1 x Power Button 1 x Clear CMOS Button 2 x Reset Button		
Accessory			
Accessory	Power Cord VESA screws Mounting screws		
Power			
Power Rating	80 ~ 264VAC	Consumption	300W

**DIMENSIONS** UNIT:MM



**NOTE**

- 1.This is a simplified drawing and some components are not marked in detail.
- 2.Please contact our sales representative if you need further product information.
- 3.All specifications are subject to change without prior notice.
- 4.The product shown in this datasheet is a standard model.For diagrams that contain customized or optional I/ O, please contact the Winmate Sales Team for more information.

## Assured Systems

Assured Systems is a leading technology company with over 1,500 regular clients in 80 countries, deploying over 85,000 systems to a diverse customer base in 12 years of business. We offer high-quality and innovative rugged computing, display, networking and data collection solutions to the embedded, industrial, and digital-out-of-home market sectors.

### US

[sales@assured-systems.com](mailto:sales@assured-systems.com)

Sales: +1 347 719 4508  
Support: +1 347 719 4508

1309 Coffeen Ave  
Ste 1200  
Sheridan  
WY 82801  
USA

### EMEA

[sales@assured-systems.com](mailto:sales@assured-systems.com)

Sales: +44 (0)1785 879 050  
Support: +44 (0)1785 879 050

Unit A5 Douglas Park  
Stone Business Park  
Stone  
ST15 0YJ  
United Kingdom

VAT Number: 120 9546 28  
Business Registration Number: 07699660