

# R15IB3S-SPC3-B

## 15" Intel® Celeron® N2930 IP65 Stainless B Series Panel PC



### KEY FEATURES

- Intel® Celeron® N2930 (2M Cache, up to 2.16 GHz)
- Fanless cooling system
- SUS 316/ AISI 316 stainless steel for food and chemical industries
- Full IP65 waterproof enclosure
- A true flat, easy-to-clean front surface with edge-to-edge design
- Supports VESA mount
- Rotary switch adjust different touch mode for Hand/ Rain/ Glove application
- Emergency and Flat buttons for automation device control
- Optical bonding (optional)



### SPECIFICATIONS

Display			
<b>Resolution</b>	1024x768	<b>Size</b>	15 inches
<b>Contrast Ratio</b>	2000:1	<b>Panel Brightness</b>	300 nits
<b>View Angles</b>	88,88,88,88	<b>Active Area</b>	304.1x228.1 mm
<b>Touch / Glass</b>	Projected Capacitive Multi Touch Screen		
System Specification			
<b>Processor</b>	Intel Celeron N2930 1.83GHz (up to 2.16GHz)	<b>Memory</b>	1 x SO-DIMM, DDR3L 1600 MHz, 4GB 8GB (Optional)
<b>Storage</b>	1 x mSATA SSD 128GB. mSATA SSD up to 512GB. (Optional)	<b>Ethernet controller</b>	2 x Intel® Ethernet Controller
<b>Operating System</b>	Windows 10 IoT Enterprise (64 bit) (Optional) Linux Ubuntu 20.04 (Optional)	<b>WLAN</b>	Support (Optional)
<b>BT</b>	Support (Optional)		
Mechanical			
<b>Dimension</b>	426 x 301 x 69 mm	<b>Mounting</b>	VESA Mount
<b>Enclosure</b>	Stainless Housing		
<b>Cooling System</b>	Fanless design		
Environment			
<b>Operating Humidity</b>	10% to 90% RH, Non-Condensing	<b>Operating Temperature</b>	0°C to 45°C
<b>Storage Temperature</b>	-20°C to 60°C		
<b>IP rating</b>	IP65		
Certification			
<b>Certification</b>	CE, FCC		
IO Ports			
<b>Power Input</b>	1 x M12 waterproof connector for 12V DC	<b>USB Port</b>	1 x M12 waterproof connector for 2 x USB2.0 1 x Front waterproof connector for USB2.0 type-A
<b>Serial Port</b>	1 x M12 waterproof connector for RS232	<b>Expansion Port</b>	CN1 and CN2 for front button control
<b>LAN</b>	1 x waterproof Giga LAN RJ45 connector	<b>Indicator</b>	1 x LED Indicator for power 1 x LED Indicator for storage
Control			

**Button**

Rear side:  
1 x Power Button  
1 x Reset Button

Front side:  
1 x Emergency Button & 3 x Flat Button for CN1 & CN2 M12 connector  
1 x Rotary Switch for touch mode

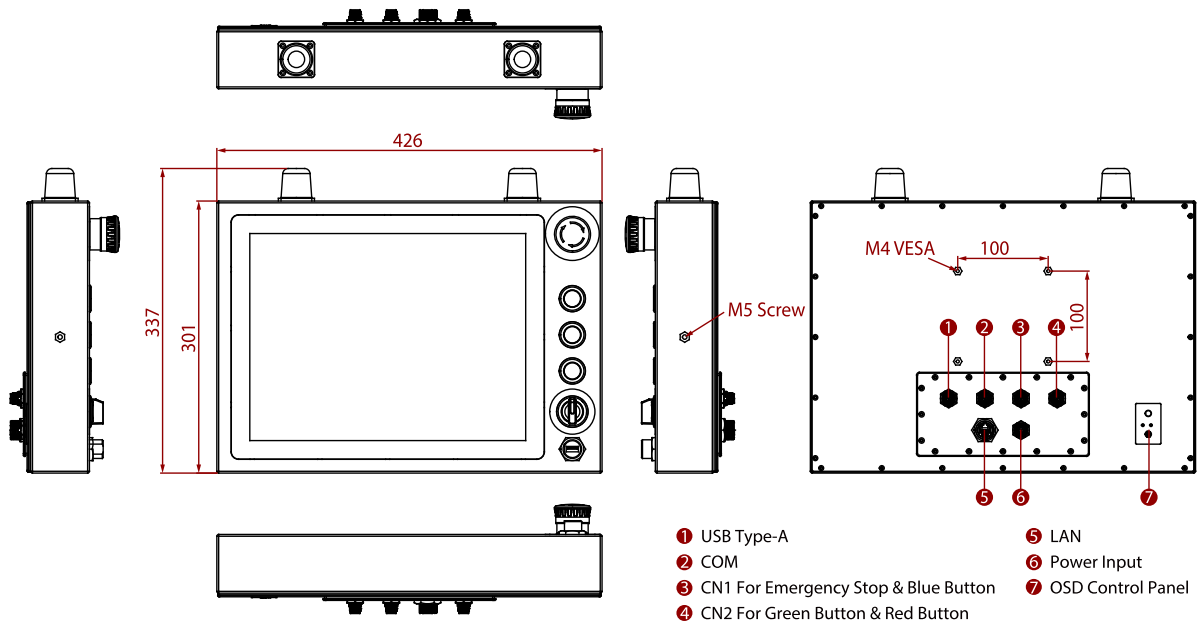
**Accessory**

<p><b>Accessory</b></p> <p>100~240V AC to DC Adapter with waterproof connector Power Cord External USB cable with waterproof connector External COM cable with waterproof connector External LAN cable with waterproof connector External cables for CN1 &amp; CN2 with waterproof connector Waterproof caps RJ45 female-female converter VESA screws</p>	<p><b>Optional Accessory</b> 1 x Open wire cable for M12 connector</p>
---	--

**Power**

**Power Rating** M12 Type: 12V DC  
9~36V DC (Optional)

**DIMENSIONS** UNIT:MM



**NOTE**

1. This is a simplified drawing and some components are not marked in detail.
2. The product shown in this datasheet is a standard model. For diagrams that contain customized or optional I/O, please contact the Winmate Sales Team for more information.
3. All specifications are subject to change without prior notice.

## Assured Systems

Assured Systems is a leading technology company with over 1,500 regular clients in 80 countries, deploying over 85,000 systems to a diverse customer base in 12 years of business. We offer high-quality and innovative rugged computing, display, networking and data collection solutions to the embedded, industrial, and digital-out-of-home market sectors.

### US

[sales@assured-systems.com](mailto:sales@assured-systems.com)

Sales: +1 347 719 4508  
Support: +1 347 719 4508

1309 Coffeen Ave  
Ste 1200  
Sheridan  
WY 82801  
USA

### EMEA

[sales@assured-systems.com](mailto:sales@assured-systems.com)

Sales: +44 (0)1785 879 050  
Support: +44 (0)1785 879 050

Unit A5 Douglas Park  
Stone Business Park  
Stone  
ST15 0YJ  
United Kingdom

VAT Number: 120 9546 28  
Business Registration Number: 07699660