

FM10Q, 10.4-inch Vehicle Mounted Computer

A Rugged Vehicle Mounted Computer for Data Collection in Warehouse and Logistics Applications

The FM10Q is an Android-based rugged vehicle-mounted computer that ships with a high performance Qualcomm® Snapdragon™ 660 Octa-core CPU. The computer showcases enterprise mobility in a VMC form factor thanks to its rich I/O ports, versatile wireless connectivity options, as well as the high flexibility brought by the design of the dock with a one-click top latch, which allows for easy removal of the device. Engineered to fit seamlessly into forklifts and other warehouse vehicles with its wide range of power input with power isolation, the FM10Q will help minimize errors, streamline inventory management, and improve operational efficiencies.



Highlights

- Qualcomm® Snapdragon™ 660 Octa-core CPU
- 10.4" 1024 x 768 Panel with PCAP touchscreen
- Field replaceable front panel to reduce service costs
- Magnesium alloy housing
- Built-in Wi-Fi and Bluetooth 5.0
- IP65 waterproof and dustproof
- Wide range -30°C to 50°C operating temperature

| Order Information | |
|-------------------|--------|
| | 4G |
| FM10Q | N/A |
| FM10Q-LA | 4G LTE |

FM10Q, 10.4-inch Vehicle Mounted Computer

A Rugged Vehicle Mounted Computer for Data Collection in Warehouse and Logistics Applications

Display Specification

| | | | |
|----------------|---|------------|----------------|
| Size | 10.4-inch display (4:3) | | |
| Resolution | 1024 x 768 | | |
| Brightness | 400 nit | | |
| Touch | Projected capacitive (PCAP) multi-touch | | |
| Contrast Ratio | 1200:1 | | |
| Viewing Angle | 88/88/88/88 | | |
| Sensor | • Light sensor | • G-Sensor | • Temp. Sensor |

System Specification

| | |
|------------------|--|
| Processor | Qualcomm® Snapdragon™ 660 Octa-core CPU |
| System Memory | 3GB LPDDR4 ¹ |
| Storage | 32GB eMMC |
| | Additional storage with Micro SD card slot |
| Operating System | Android 9.0 |

Wireless Communication

| | |
|-----------|-------------------|
| WLAN | 802.11 a/b/g/n/ac |
| Bluetooth | Bluetooth 5.0 |
| GNSS | GPS on Docking |
| WWAN | Optional 4G LTE |

Interface

| | |
|----------|---|
| Computer | 1 x Dual-Nano SIM Card Slot 1 x Micro SD Card Slot 1 x USB 3.0 Type C (OTG) 1 x 12V DC in power input jack |
| Docking | 2 x COM 1 x DB9 Connector for 2 x USB 2.0 Port 1 x CANBus or 1 x Audio ² 1 x Gigabit LAN port 1 x Power connector 5 x SMA Connectors (female) for external antennas (WLAN, GPS, WWAN) |

Input

| | |
|------------------|--|
| Touch | 10-point PCAP multi-touch, with stylus support |
| Physical Buttons | 1 x power, 6 x function keys (Programmable function key configured by Winset) |

Status Indicators

| | |
|----------------|--|
| LED Indicators | Wi-Fi, Bluetooth, UPS battery, HDD, Screen Blanking, Heater |
|----------------|--|

Audio

| | |
|---------|---------------------------|
| Speaker | 2 x 3W speaker on docking |
|---------|---------------------------|

Cameras

| | |
|--------------|---------------------------------|
| Front Camera | • 2MP webcam • Reading Light |
|--------------|---------------------------------|

Security Function

| | |
|--------------------------|--|
| Mobile Device Management | SOTI Mobicontrol compatible ³ |
|--------------------------|--|

Mechanical

| | |
|-----------------------|--|
| Dimension (W x L x H) | Computer: 268 x 214 x 35 mm (10.6 x 8.42 x 1.37 inches) Docking: 202 x 245 x 52 mm (7.9 x 9.6 x 2.04 inches) ⁴ |
| Weight | Computer 1.7 kg (3.75 lbs) Docking 1.6 kg (3.53 lbs) |
| Housing | Magnesium alloy housing |
| Cooling System | Fanless design |

Environment

| | |
|-----------------------|--|
| Operating Temperature | AC mode: -30°C to 50°C (-22°F to 122°F) Battery mode: -10°C to 50°C (14°F to 122°F) |
| Storage Temperature | -30°C to 60°C (-22° to 140°F) |
| Humidity | 5% to 90% RH, non-condensing |
| IP Proof | IP65 certified, dustproof and waterproof |
| Impact | Support EN62262 IK70 rating |
| Shock | MIL-STD-810G Method 516.6 Procedure I |
| Vibration | MIL-STD-810G Method 514.6 Procedure I |
| ESD | Compliant with EN 61000-4-2, enhanced ESD to ±8kV direct & ±15kV air |

Power Management

| | |
|----------------------------|---|
| Power Input | 10V-60V, with power isolation and ignition control |
| UPS Battery | 7.6V Battery (2S1P) |
| UPS Battery Operating Time | Minimum 30 minutes ⁵ |

Accessories

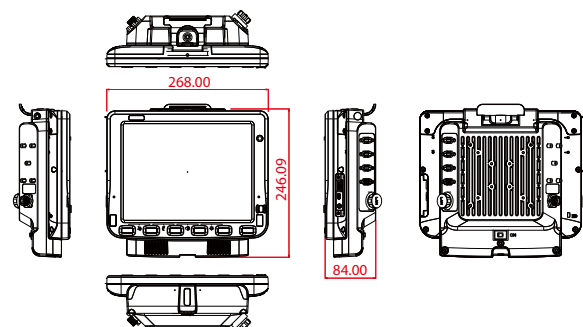
Standard Accessories

| | |
|---------------------------------|-----------------------|
| Power Cable with Fuse | 98K000A00060 |
| 84 Watt Adapter | 922D084W12V1 |
| Power Converter Cable | 94J602G030K2 |
| USB Cable | 9483098080K0 |
| Wi-Fi Antenna (1 pcs) | 39700000000G x 2 |
| External Antenna Fixing Bracket | 88111T201203 x 2 |
| Quick Start Guide | 9152111101B |
| Power Cord | Country Specific P/Ns |

Optional Accessories ⁶

| | |
|----------------------|------------------|
| DC Power Jack Cable | 94J0086020K0 |
| RS232 Cable | 94G3094090K2 |
| Audio Cable | 94E215R060K0 |
| CAN Bus Cable | 94E2150090K0 |
| LAN Cable | 94I0080080KF |
| Key for Vehicle Dock | 9B000000007N |
| WWAN Antenna (1 pcs) | 39700000000H x 2 |
| Fuse Kit | 94JL01L01000 |

Drawing ⁷



Do Not Expose the Battery Pack to Excessive Heat, or Extreme Heat (Near Fire, in Direct Sunlight for example)
Do not expose bare skin to this product when handling this unit in extreme hot or cold environments

- Total usable memory will be less depending upon actual system configuration.
- CANBus and audio are mutually exclusive.
- SOTI is available upon request.

- Length measurements do not include protrusions. Weight varies with options.
- Measured at dimming LCD brightness. Varies depending on the usage conditions, or when an external device is attached.
- Accessories may vary depending on your configuration.
- This is a simplified drawing and some components are not marked in detail.

Assured Systems

Assured Systems is a leading technology company with over 1,500 regular clients in 80 countries, deploying over 85,000 systems to a diverse customer base in 12 years of business. We offer high-quality and innovative rugged computing, display, networking and data collection solutions to the embedded, industrial, and digital-out-of-home market sectors.

US

sales@assured-systems.com

Sales: +1 347 719 4508
Support: +1 347 719 4508

1309 Coffeen Ave
Ste 1200
Sheridan
WY 82801
USA

EMEA

sales@assured-systems.com

Sales: +44 (0)1785 879 050
Support: +44 (0)1785 879 050

Unit A5 Douglas Park
Stone Business Park
Stone
ST15 0YJ
United Kingdom

VAT Number: 120 9546 28
Business Registration Number: 07699660