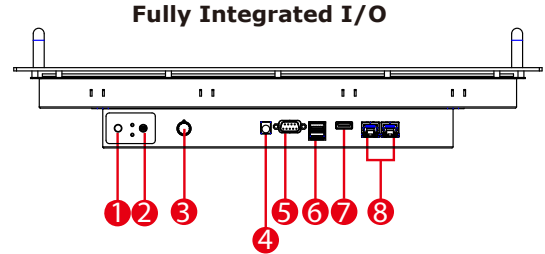
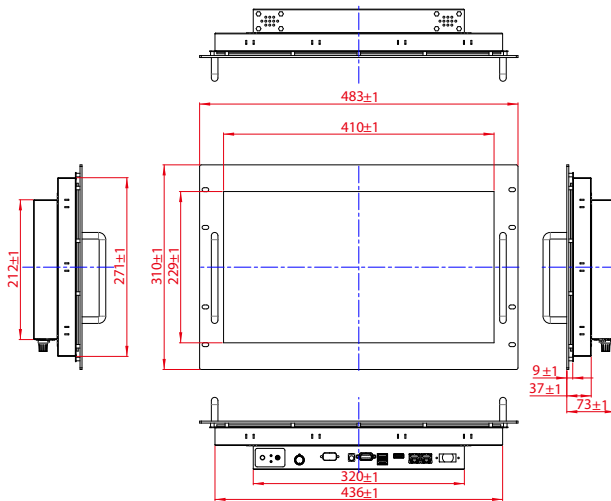


# W18IK3S-RKA1 18.5" Rack Mount Panel PC (Intel® 7<sup>th</sup> Generation Core™ i5 Platform)

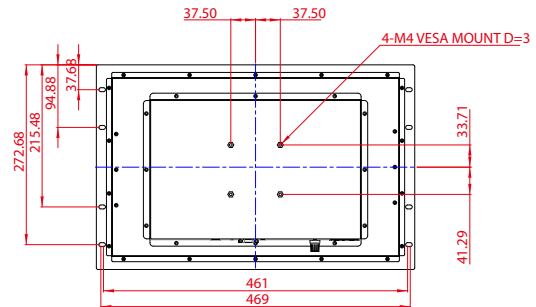
Mechanical Design



**Rack Mount**



- |                               |                  |
|-------------------------------|------------------|
| 1. Power On Button            | 5. RS232/422/485 |
| 2. Power Reset Button         | 6. USB 3.0 x 2   |
| 3. Brightness Adjustment Knob | 7. HDMI          |
| 4. 12V DC in                  | 8. LAN x 2       |



\* Measurements shown in mm  
 \* All Dimensions are ±0.1mm  
 \* Note: this is a simplified drawing and some components are not marked in detail. Please contact our sales representative if you need further product information.

**Specifications**

**System**

- Processor : Intel® Core i5-7200U 2.5GHz (turbo to 3.1GHz)
- BIOS : Insyde BIOS
- System Chipset : Intel® SoC Integrated
- System Memory : 4GB DDR4-2133 SO-DIMM.Max 16GB
- Graphic Chipset : Intel® HD Graphics 620
- Storage : 64GB M.2 B Key SATA III SSD. Max. 512GB
- LAN : Intel® Gigabit-LAN Controller I211AT + PHY I219LM
- Audio : Realtek HD Audio Codec

**Input / Output :**

- USB Ports : 2 x USB 3.0
- Ethernet : 2 x RJ 45-10/100/1000 Mbps
- HDMI : 1 X HDMI 1.4
- RS232 : RS232/422/485

**Power Specifications :**

- Power Input : 12V DC in
- Power Consumption : 55W (Max backlight & High CPU load)

**Accessories**

- External AC power cord and 110~220V AC to DC Adapter

**Panel Spec**

- Size/Type : 18.5" TFT
- Resolution : 1920 x 1080
- Brightness : 350 cd/m<sup>2</sup> (typ.)
- Contrast Ratio : 1000:1 (typ.)
- Viewing Angle : -89~89(H);-89~89(V)
- Max. Colors : 16.7M (8bits/color)
- Touch Screen : 5-wire Resistive Touch

**Mechanical Specification :**

- Cooling System : Fanless Design
- Mounting : VESA Mount (75x75mm)
- Dimension (W x H x D) : 483 x 310 x 73 (mm)
- IP Rating : Front side IP65

**Environment Considerations :**

- Operating Temperature : 0 deg.C to 50 deg.C
- Operating Humidity : 10% to 90% (non condensing)

**OS Support**

- Windows 10 IOT Enterprise

**Certification**

- IEC 61850-3, IEC60068-2-64,IEC 60068-2-2, CE, FCC



Note: All Specifications are subject to change without prior notice!

Revised Date:19-May-2020V1.0

## Assured Systems

Assured Systems is a leading technology company with over 1,500 regular clients in 80 countries, deploying over 85,000 systems to a diverse customer base in 12 years of business. We offer high-quality and innovative rugged computing, display, networking and data collection solutions to the embedded, industrial, and digital-out-of-home market sectors.

### US

[sales@assured-systems.com](mailto:sales@assured-systems.com)

Sales: +1 347 719 4508  
Support: +1 347 719 4508

1309 Coffeen Ave  
Ste 1200  
Sheridan  
WY 82801  
USA

### EMEA

[sales@assured-systems.com](mailto:sales@assured-systems.com)

Sales: +44 (0)1785 879 050  
Support: +44 (0)1785 879 050

Unit A5 Douglas Park  
Stone Business Park  
Stone  
ST15 0YJ  
United Kingdom

VAT Number: 120 9546 28  
Business Registration Number: 07699660