



Embedded Solutions



mSATA SSDs

MSM362M & MSM362I mSATA mini

Fully compliant with mSATA specifications, Transcend's mSATA MSM362M mini SSD combines ultra-compact dimensions with a high-bandwidth SATA III 6Gb/s interface, ideal for use in small form factor devices such as ultrabooks, industrial PCs, tablets, vehicle PCs, road surveillance recording devices, and other embedded storage applications.

Transcend also offers the MSM362I with wide temperature (-40°C ~ 85°C) capabilities to ensure sustained functionality, enhanced endurance and optimal reliability in mission-critical applications.

Hardware Features

- Compliant with RoHS 2.0 standards
- Compliant with JEDEC MO-300B
- MLC NAND flash
- Supports Transcend Scope Pro software
- Promised operational reliability in a wide temperature range (from -40°C to 85°C)

Ordering Information

16GB	TS16GMSM362I TS16GMSM362M
32GB	TS32GMSM362I TS32GMSM362M
64GB	TS64GMSM362I TS64GMSM362M
128GB	TS128GMSM362I TS128GMSM362M

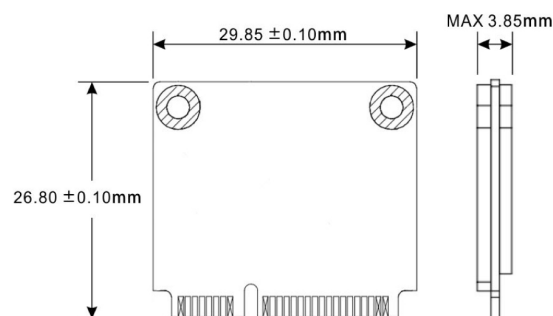
Firmware Features

- Built-in BCH ECC (Error Correction Code) functionality
- Advanced Global Wear-Leveling and Block management for reliability
- Supports S.M.A.R.T. function to conduct health monitoring, analysis, and reporting for storage devices
- TRIM command for better performance

Specifications

Appearance	Dimensions	26.8 mm x 29.85 mm x 3.85 mm (1.06" x 1.18" x 0.15")
	Weight	5 g (0.18 oz)
	Pin Count	52 pin
	Form Factor	mSATA mini (MO-300B)
Interface	Bus Interface	SATA III 6Gb/s
Storage	Flash Type	MLC NAND flash
	Capacity	16 GB / 32 GB / 64 GB / 128 GB
Operating Environment	Operating Voltage	3.3V±5%
	Operating Temperature	Standard Temp. 0°C (32°F) ~ 70°C (158°F)
		Wide Temp. -40°C (-40°F) ~ 85°C (185°F)
	Storage Temperature	-55°C (-67°F) ~ 85°C (185°F)
	Humidity	5% ~ 95%
	Shock	1500 G, 0.5 ms, 3 axis
	Vibration (Operating)	20 G (peak-to-peak), 7 Hz ~ 2,000 Hz (frequency)
Power	Power Consumption (Operation)	2.01 watt(s)
	Power Consumption (Sleep)	0.27 watt(s)
Performance	Sequential Read/Write (CrystalDiskMark)	Read: up to 520 MB/s Write: up to 220 MB/s
	4K Random Read/Write (IOMeter)	Read: up to 35,000 IOPS Write: up to 50,000 IOPS
	Mean Time Between Failures (MTBF)	2,500,000 hour(s)
	Terabytes Written (TBW)	up to 168 TBW
	Drive Writes Per Day (DWPD)	1.19 (3 yrs)
Warranty	Certificate	CE / FCC / BSMI / UKCA
	Warranty	Three-year Limited Warranty

Mechanical Dimensions



Product specifications are subject to change without notice. Pictures shown may differ from actual products. Total accessible capacity varies depending on operating environment. Due to the complexity and variety of industrial applications, Transcend cannot guarantee 100% compatibility with all platforms and under all scenarios. For special applications and environments, it is strongly suggested that you contact Transcend beforehand for clarification.

Assured Systems

Assured Systems is a leading technology company with over 1,500 regular clients in 80 countries, deploying over 85,000 systems to a diverse customer base in 12 years of business. We offer high-quality and innovative rugged computing, display, networking and data collection solutions to the embedded, industrial, and digital-out-of-home market sectors.

US

sales@assured-systems.com

Sales: +1 347 719 4508
Support: +1 347 719 4508

1309 Coffeen Ave
Ste 1200
Sheridan
WY 82801
USA

EMEA

sales@assured-systems.com

Sales: +44 (0)1785 879 050
Support: +44 (0)1785 879 050

Unit A5 Douglas Park
Stone Business Park
Stone
ST15 0YJ
United Kingdom

VAT Number: 120 9546 28
Business Registration Number: 07699660