



www.transcend-info.com

**Embedded Solutions**



microSD Cards

# microSDHC/SDXC230I

Transcend's SLC mode solution features excellent endurance and reliability at cost-effective prices. The industrial-grade microSDHC/SDXC230I cards offer wide temperature tolerance (-40°C to 85°C) for industrial use. These cards are the ideal solution for small form factor and write-intensive applications such as medical devices, surveillance systems, and POS terminals. Transcend's memory cards are manufactured using high-quality flash chips and undergo extensive reliability testing at all stages of production.

## Hardware Features

- High-quality 3D NAND flash and SLC mode for exceptional endurance and reliability
- Compliant with Video Speed Class 30 (V30)
- Promised operational reliability in a wide temperature range (from -40°C to 85°C)
- Electrostatic protection (ESD IEC 61000-4-2)
- Compliant with SD specification 5.1

## Ordering Information

2GB	TS2GUSD230I
4GB	TS4GUSD230I
8GB	TS8GUSD230I
16GB	TS16GUSD230I
32GB	TS32GUSD230I
64GB	TS64GUSD230I

## Firmware Features

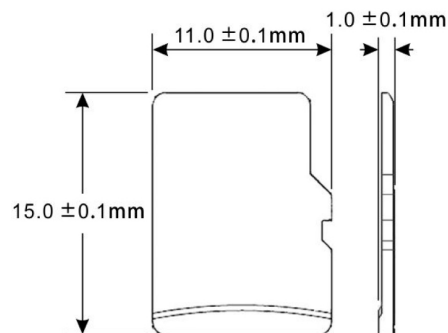
- Built-in ECC (Error Correction Code) functionality
- Wear-Leveling
- Supports S.M.A.R.T. function to conduct health monitoring, analysis, and reporting for storage devices

\*Transcend's microSDHC/SDXC230I 2~4GB is compliant with SD 3.01 specification and 8~64GB is compliant with SD 5.1 specification.\*Scope Pro is only available when used with the [RDF5](#) card reader.

## Specifications

<b>Appearance</b>	Dimensions	11 mm x 15 mm x 1 mm (0.43" x 0.59" x 0.04")
	Form Factor	microSD flash card
<b>Storage</b>	Flash Type	3D NAND flash (SLC mode)
	Capacity	2 GB / 4 GB / 8 GB / 16 GB / 32 GB / 64 GB
<b>Operating Environment</b>	Operating Voltage	2.7V ~ 3.6V
	Drop Test	1.5m free fall
	Operating Temperature	Wide Temp. -40°C (-40°F) ~ 85°C (185°F)
	Storage Temperature	-40°C (-40°F) ~ 85°C (185°F)
	Humidity	0% ~ 95%
	Shock	Acceleration: 490 m/s <sup>2</sup> (standard holding time: 11 ms, semi-sine wave, velocity change: 3.44 m/s)
	Vibration (Operating)	20 G (peak-to-peak), 20 Hz ~ 2,000 Hz (frequency)
<b>Power</b>	Power Consumption (Max.)	2.88 watt(s)
<b>Performance</b>	Read Speed (Max.)	up to 100 MB/s
	Write Speed (Max.)	up to 70 MB/s
	Terabytes Written (TBW)	up to 5,800 TBW
<b>Warranty</b>	Certificate	CE / FCC / UKCA
	Warranty	Three-year Limited Warranty

## Mechanical Dimensions



Product specifications are subject to change without notice. Pictures shown may differ from actual products. Total accessible capacity varies depending on operating environment. Due to the complexity and variety of industrial applications, Transcend cannot guarantee 100% compatibility with all platforms and under all scenarios. For special applications and environments, it is strongly suggested that you contact Transcend beforehand for clarification.

## Assured Systems

Assured Systems is a leading technology company with over 1,500 regular clients in 80 countries, deploying over 85,000 systems to a diverse customer base in 12 years of business. We offer high-quality and innovative rugged computing, display, networking and data collection solutions to the embedded, industrial, and digital-out-of-home market sectors.

### US

[sales@assured-systems.com](mailto:sales@assured-systems.com)

Sales: +1 347 719 4508  
Support: +1 347 719 4508

1309 Coffeen Ave  
Ste 1200  
Sheridan  
WY 82801  
USA

### EMEA

[sales@assured-systems.com](mailto:sales@assured-systems.com)

Sales: +44 (0)1785 879 050  
Support: +44 (0)1785 879 050

Unit A5 Douglas Park  
Stone Business Park  
Stone  
ST15 0YJ  
United Kingdom

VAT Number: 120 9546 28  
Business Registration Number: 07699660