

IPPC A1570T

15" TFT XGA 4:3 Heavy Industrial Panel PC
4th Generation Intel® Core™ i Processor



Main Features

- 4:3 15" XGA fanless panel computer
- Powerful 4th generation Intel® Core™ i processor
- Optional two expansion slots for add-on PCI or/and PCIe card
- Optional 3.5G/Wi-Fi module/2.5" HDD
- Front accessible USB 2.0 for easy of field maintenance
- Inside USB 2.0 type A connector for license key
- Metal housing with robust aluminum IP66 compliant front bezel for harsh environment
- Two FBI Windows
- Wide range 12~30VDC power input

Product Overview

IPPC A1570 series is a heavy industrial panel PC to support powerful 4th generation Intel® Core™ i processor, TFT LCD panel with LED backlight and user-friendly touch screen. The IP66 rated heavy-duty aluminum front bezel and the vibration-resistant rugged chassis are specifically designed for outdoor and harsh industrial environments. IPPC A1570 series is ideal for use in oil and gas rig, wind farms, chemical factories, pharmaceutical factories, and hazardous working area.

Specifications

Panel

- LCD Size: 15", 4:3
- Resolution: XGA 1024 x 768
- Luminance: 450cd/m²
- Contrast ratio: 800
- LCD color: 16.2M
- Viewing angle: 70 (U), 80 (D), 80 (L), 80 (R)
- Backlight: LED

Touch

- 5-wire resistive (Flush panel type)
- Light transmission: 81%
- Interface: USB

System

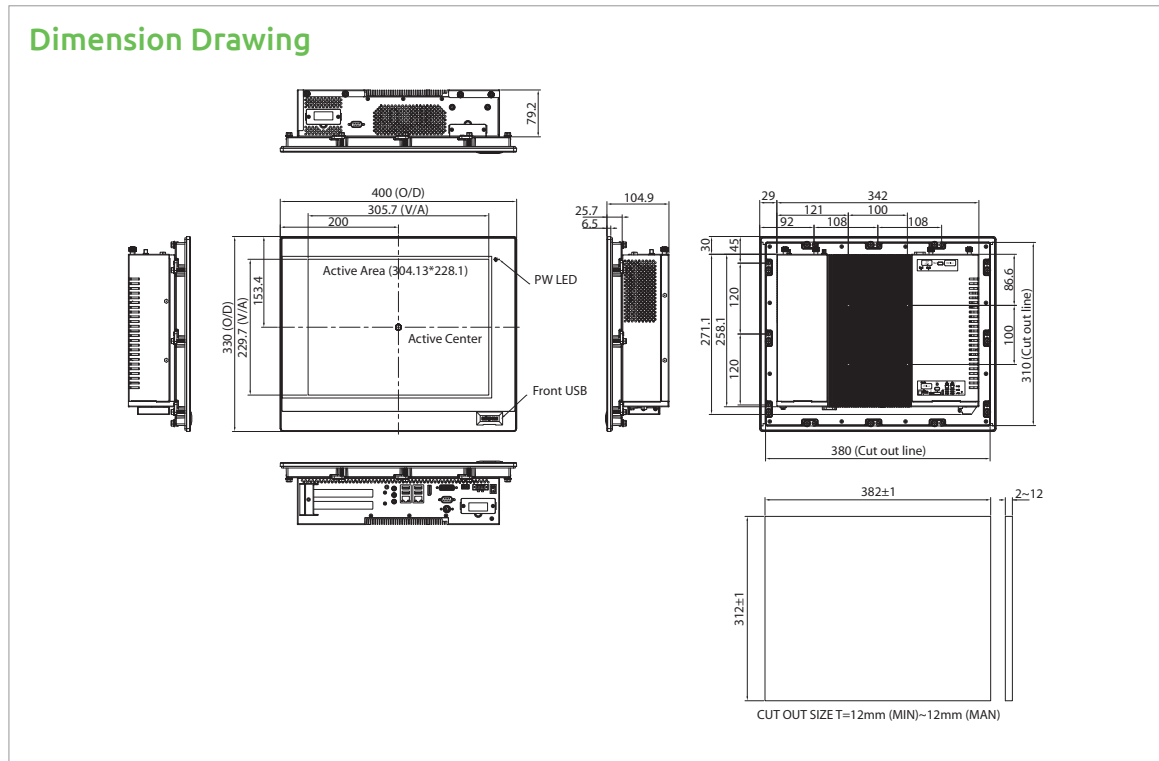
- CPU (optional): support 4th gen. Intel® Core™ i processor family, LGA1150 socket type
 - Core™ i5-4590T, Quad Core, 2.0GHz, 6M Cache (maximum frequency 3.0GHz if turbo boost enabled)
 - Core™ i5-4570TE, Dual Core, 2.7GHz, 4M Cache (maximum frequency 3.3GHz if turbo boost enabled)
 - Core™ i3-4350T, Dual Core, 3.1GHz, 4M Cache (no turbo boost)
 - Core™ i3-4340TE, Dual, Core, 2.6GHz, 4M Cache (no turbo boost)
 - Pentium® G3320TE, Dual Core, 2.3GHz, 3M Cache (no turbo boost)
 - Celeron® G1820TE, Dual Core, 2.2GHz, 2M Cache (no turbo boost)
- BIOS: AMI BIOS
- System chipset: Intel® Q87 PCH
- System memory (optional): 2 x 204-pin DDR3/DDR3L SO-DIMM socket, support up to 16GB DDR3/DDR3L 1333/1600, non-ECC and unbuffered

- Storage device:
 - 1 x External locked CFast socket
 - 1 x mini-PCIe w/o SIM card holder slot to support mSATA storage
 - 1 x Hard drive bay: support 1 x 2.5" SATA HDD/SSD (optional)
- Watchdog timer: Watchdog timeout can be programmable by software from 1 second to 255 seconds and from 1 minute to 255 minutes (tolerance 15% under room temperature 25°C)
- H/W status monitor: monitoring system temperature and voltage
- Expansion:
 - 2 x mini-PCIe sockets (support optional Wi-Fi or 3.5G module/NVRAM/mSATA storage)
 - 2 x Expansion slots for add-on PCI or/and PCIe cards (optional)
 - 1 x PCI and 1 x PCIe x4 slots
 - 2 x PCIe x4 slots
 - 2 x PCI slots
 - 1 x PCIe x16 slot
- 1 x Front accessible USB 2.0

Rear I/O

- 1 x PS2 for keyboard/mouse
- Ethernet: 2 x RJ45
- 2nd/3rd display: additional independent DisplayPort: 1 x DVI-H (DVI-D + DVI-A) and 1 x DisplayPort
- Audio port: 1 x Line-out; 1 x Line-in; 1 x Mic-in
- USB: 4 x USB 3.0
- 3-pin remote power on/off switch connector
- Reset button
- COM#1: RS232/422/485 w/ 5V or 12V selection
- ATX power switch

www.nexcom.com



Top I/O

- COM#2 RS232/422/485 w/ 5V or 12V selection

Audio

- HD codec: Realtek ALC886-GR
- Audio interface: Line-out/Line-in/Mic-in audio jack

Ethernet

- LAN chip: dual Intel® I210IT Gigabit LAN
- Ethernet interface: 10/100/1000 Base-Tx Ethernet compatible

Fieldbus

- Two FBI Windows

Mechanical & Environment

- Color: Pantone 432C/RAL 70 24 front bezel
- Enclosure: aluminum front bezel with SPPC nickel plated housing
- IP protection: IP66 front
- Mounting: panel/wall/stand/VESA 100mm x 100mm
- Power:
 - Power input: 12~30 VDC
 - Power connector: 3-pin PHOENIX connector
- Vibration:
 - IEC 68 2-64 (w/ HDD)
 - 1Grms @ sine, 5~500Hz, 1hr/axis (HDD operating)
 - 2Grms @ sine, 5~500Hz, 1hr/axis (CFast operating)
 - 2.2Grms @ random condition, 5~500Hz, 0.5hr/axis (non-operating)
- Shock:
 - IEC 68 2-27
 - HDD: 20G @ wall mount, half sine, 11ms
- Operating temperature
 - Resistive: -20°C to 50°C
- Storage temperature: -20°C to 75°C
- Operating humidity: 10%~90% relative humidity, non-condensing (For IPPC A1570T series, limits to be at 90% RH at max 50°C)
- Dimension: 400 x 330 x 104.9 mm
- Weight: 8.99kg (barebone)

Certifications

- CE (including EN61000-6-2/EN61000-6-4), FCC Class A

OS Support Lists

- Windows 7 32-bit and 64-bit
- Windows 8.1 32-bit and 64-bit
- Windows 10 64-bit

Ordering Information

System

- **IPPC A1570T-DC (P/N: 10I1570T01X0)**
15" XGA LED backlight fanless RTP touch panel PC, 2 x COM, DC power input

Optional

- **24V, 120W AC/DC power adapter w/o power cord (P/N: 7400120023X00)**
- **ASSY NISK37P1E1, one PCI slot and one PCIe x4 slot riser card (P/N: 20JK037P100X0)**
- **ASSY NISK37P2, two PCI slots (P/N: 20JK037P200X0)**
- **ASSY NISK37E2, two PCIe x4 slot (P/N: 20JK037E200X0)**
- **ASSY NISK37E16, one PCIe x16 slot (P/N: 20JK037E100X0)**

Assured Systems

Assured Systems is a leading technology company with over 1,500 regular clients in 80 countries, deploying over 85,000 systems to a diverse customer base in 12 years of business. We offer high-quality and innovative rugged computing, display, networking and data collection solutions to the embedded, industrial, and digital-out-of-home market sectors.

US

sales@assured-systems.com

Sales: +1 347 719 4508
Support: +1 347 719 4508

1309 Coffeen Ave
Ste 1200
Sheridan
WY 82801
USA

EMEA

sales@assured-systems.com

Sales: +44 (0)1785 879 050
Support: +44 (0)1785 879 050

Unit A5 Douglas Park
Stone Business Park
Stone
ST15 0YJ
United Kingdom

VAT Number: 120 9546 28
Business Registration Number: 07699660