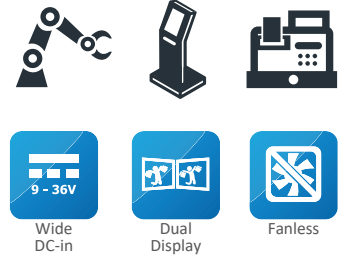


IBOX-BSW1 B TYPE

Fanless Box system with Intel® Pentium®/ Celeron® (Braswell) Processor

Entry Box PC



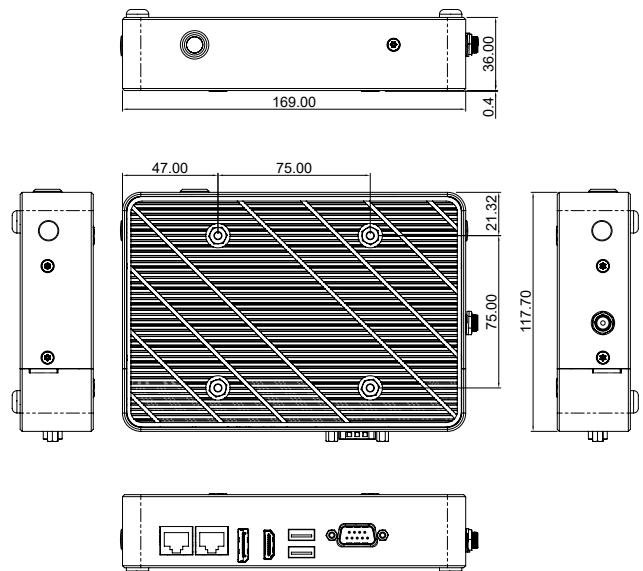
Key Features

- Intel® Pentium®/ Celeron® (Braswell SoC) onboard processor
- Dual display: HDMI/DP
- 1 HDMI, 1 DP, 2 USB, 1 COM, 2 LAN
- DC 9 ~ 36V input
- Wide temperature: -20°C ~ 60°C
- Watchdog timer

Product Specification

System color	Silver
Mechanical	Aluminum extrusion and heavy-duty steel
CPU	Intel® Braswell SoC onboard Pentium® N3710 1.6GHz quad-core SoC (6W) Celeron® N3160 1.6GHz quad-core SoC (6W) Celeron® N3060 1.6GHz dual-core SoC (6W) Celeron® N3010 1.04GHz dual-core SoC (4W)
Chipset	Intel® N3000 series SoC
Graphic	Intel® HD Gen. 8-KP graphics
BIOS	AMI SPI Flash ROM
System memory	1 x 204-pin DDR3L 1600MHz SDRAM; max. up to 8GB
System I/O	1 x HDMI, 1 x DP, 1 x COM (RS232/422/485, RS485 with auto flow control), 2 x USB 3.0, 2 x LAN
Ethernet	2 x Gigabit Ethernet (Intel® I210)
Storage support	1 x mSATA
Expansion slot	1 x Mini-PCIe (Half size) 1 x Mini-PCIe (Full size, share with mSATA)
System indicators	1 x Power LED
System controls	1 x Power on switch
Watchdog timer	Interval: Programmable 1 ~ 255 sec. Output: System reset
OS Support	Win7, Win8.1, Win10, Linux
Power supply	Wide range DC 9 ~ 36V input, with AC 60W adapter, DC 12V output, DC Jack- Screw connector
Operating temperature	0°C ~ 60°C (Optional -20°C ~ -40°C)
Storage temperature	-20°C ~ 80°C
Relative humidity	0% ~ 90% (non-condensing)
Mounting	Wall mount/VESA75 mount/DIN mount (optional)
Dimensions	169 mm(W) x 117.7 mm(D) x 36mm(H)
Weight	0.8 kg

Dimensions



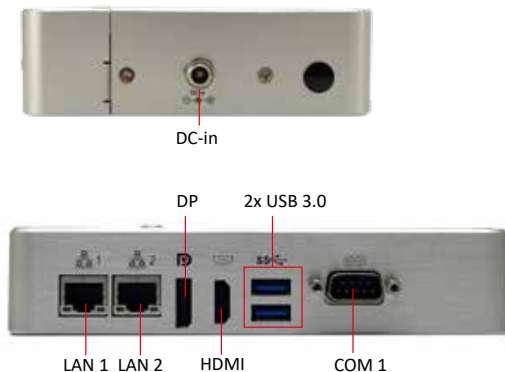
Optional

Power cord	US (VN00000100CU) / EUR (VN00000200CU) / JP (VN00000300CU) / UK (VK00028600CU)
------------	---

Ordering Information

Part Number	description
IBOX-BSW1-3010-BN00-0000	Standard Type B Fanless BOX PC, Intel Celeron N3010 4W, HDMI/DP, 1COM/2USB/2LAN, BAREBONE, DC(9V~36V)/DC-Jack-Screw, with power adapter
IBOX-BSW1-3060-BN00-0000	Standard Type B Fanless BOX PC, Intel Celeron N3060 6W, HDMI/DP, 1COM/2USB/2LAN, BAREBONE, DC(9V~36V)/DC-Jack-Screw, with power adapter
IBOX-BSW1-3160-BN00-0000	Standard Type B Fanless BOX PC, Intel Celeron N3160 6W, HDMI/DP, 1COM/2USB/2LAN, BAREBONE, DC(9V~36V)/DC-Jack-Screw, with power adapter
IBOX-BSW1-3710-BN00-0000	Standard Type B Fanless BOX PC, Intel Pentium N3710 6W, HDMI/DP, 1COM/2USB/2LAN, BAREBONE, DC(9V~36V)/DC-Jack-Screw, with power adapter

Rear I/O



Assured Systems

Assured Systems is a leading technology company with over 1,500 regular clients in 80 countries, deploying over 85,000 systems to a diverse customer base in 12 years of business. We offer high-quality and innovative rugged computing, display, networking and data collection solutions to the embedded, industrial, and digital-out-of-home market sectors.

US

sales@assured-systems.com

Sales: +1 347 719 4508
Support: +1 347 719 4508

1309 Coffeen Ave
Ste 1200
Sheridan
WY 82801
USA

EMEA

sales@assured-systems.com

Sales: +44 (0)1785 879 050
Support: +44 (0)1785 879 050

Unit A5 Douglas Park
Stone Business Park
Stone
ST15 0YJ
United Kingdom

VAT Number: 120 9546 28
Business Registration Number: 07699660