



Industrial Solutions Partner!

**DLD2158-U (2000 nits)**  
**21.5" TFT LCD, 2000 nits LED Backlight, 1920x1080**

The DLD2158-U is a 21.5 inch industrial grade sunlight readable LCD, with high brightness 2000 nits, it produces sharp images, crisp text and lifelike colors. The Durapixel LED backlight technology ensures high reliability and low power consumption, suitable for outdoor application, kiosk, factory automation, military, transportation and gaming application.

**Key Features**

- High Brightness 2000 nits
- Sunlight Readable
- LED Backlight
- Low Power Consumption
- LCD Blackening Defect Free (Hi-Tni 110 °C)
- BL MTBF: 100,000 hours



**Specifications**

Model Name	DLD2158-U
Description	21.5" TFT LCD, 2000 nits LED Backlight, 1920x1080
Screen Size	21.5"
Display Area (mm)	476.640(H) x 268.110(V)
Brightness	2000 cd/m <sup>2</sup>
Resolution	1920x1080
Aspect Ratio	16 : 9
Contrast Ratio	2500 : 1
Pixel Pitch (mm)	0.24825(H) x 0.24825(V)
Pixel Per Inch (PPI)	102
Viewing Angle	178°(H),178°(V)
Color Saturation (NTSC)	80%
Display Colors	16.7M
Response Time (Typical)	25ms
Panel Interface	LVDS
Input Interface	VGA, DVI-D, HDMI
Input Power	DC12V
Power Consumption	49W
OSD Key	4 Keys (Power Switch, Menu, +, -)
OSD Control	Brightness, Color, Contrast, Auto Turing, H/V Position...etc
Dimensions (mm)	500.2 x 294.6 x 36 mm
Bezel Size(U/B/L/R)	13.3/13.2/11.8/11.8 mm
Weight (Net)	3.3kg
Mounting	75x75, 100x100
Operating Temperature	0 °C ~ 60 °C
Storage Temperature	-20 °C ~ 60 °C

**DLD**= Panel + LED Driving Board + AD Control Board + Housing

Specifications are subject to change without notice.  
All brands or product names are trademarks or registered trademarks of their respective companies.

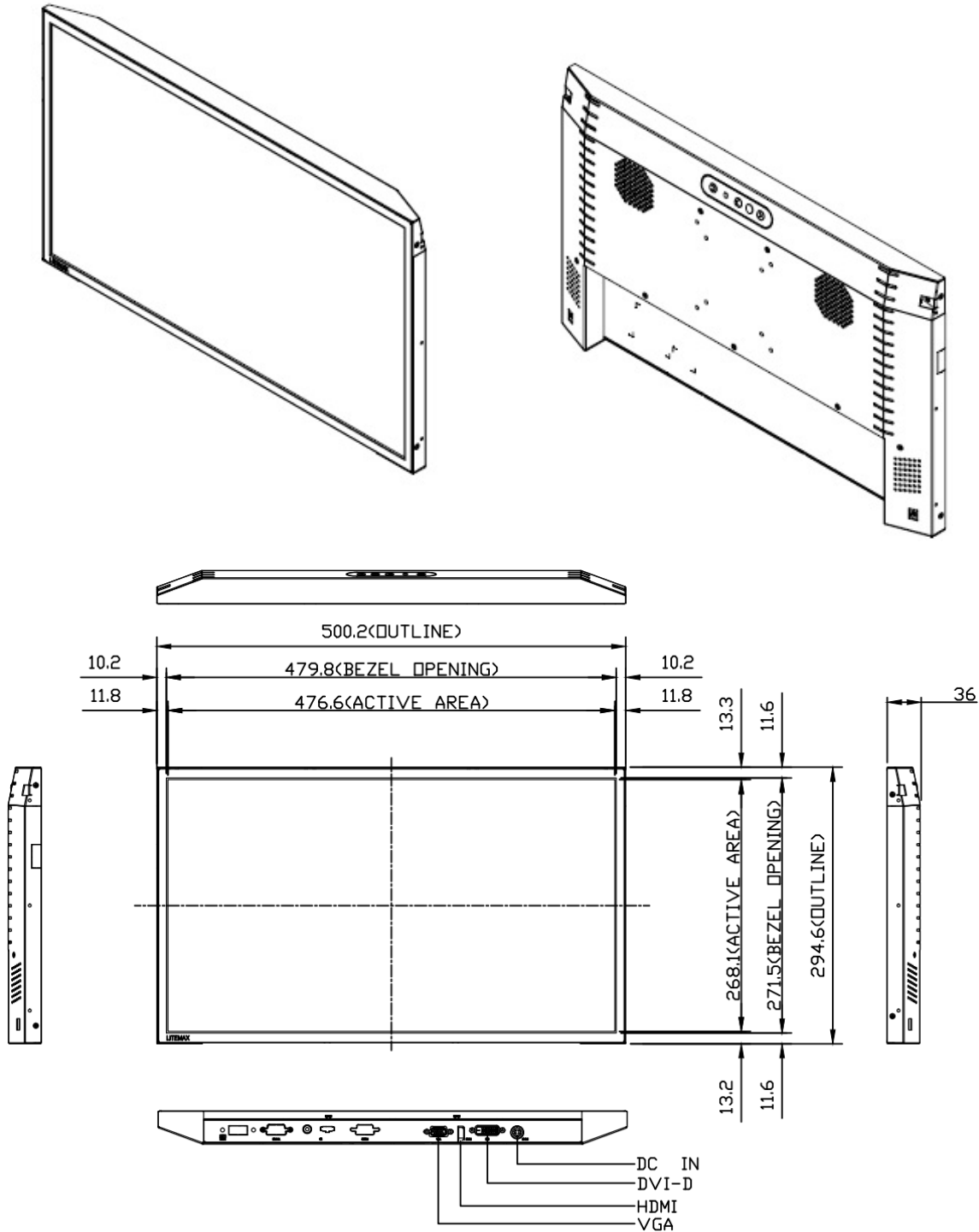


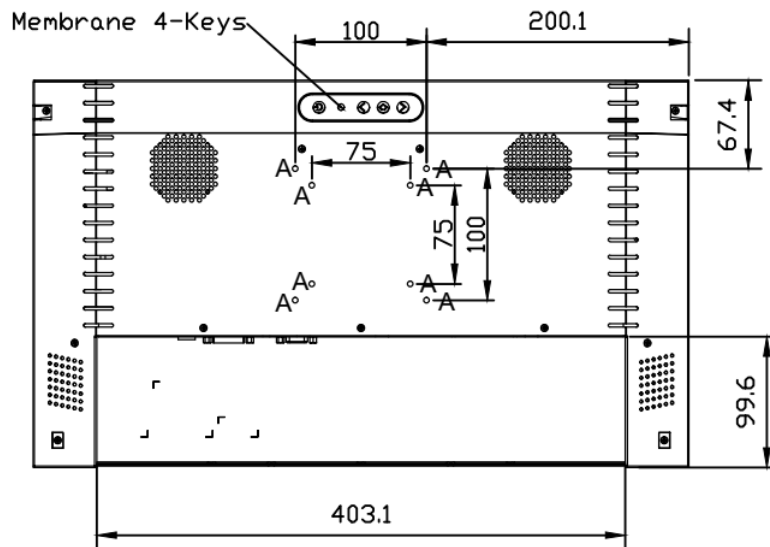
Industrial Solutions Partner!

**Mechanical Drawing**

Outline Dimensions

Unit: mm





NOTE :  
 O.D : OUTLINE DIMENSION  
 B.O : BEZEL OPENING  
 A.A : LCD ACTIVE AREA

A : 8-M4\_USER\_HOLE\_MAX. DEPTH=4mm

**Ordering Information**

Part Number	Description
DLD2158-UNB-Q51	21.5",2000nits,1920x1080,HTni,LID21C,AD8891GDH,O/B,DC12V,3in1,V1

**Optional Accessories**

Part Number	Description
810618301010	CABLE,POWER,AC,1830mm USA type
810618301090	CABLE,POWER,AC,1830mm Europe type
810618301050	CABLE,POWER,AC,1830mm UK type
810618301170	CABLE,POWER,AC,1830mm Australia type
810618301031	CABLE,POWER,AC,1830mm Japan type

**Customer request**

Touch	SCT (Single-Touch), PCT (Multi-Touch)
Glass	Tempered glass, AR coating.....

## Assured Systems

Assured Systems is a leading technology company with over 1,500 regular clients in 80 countries, deploying over 85,000 systems to a diverse customer base in 12 years of business. We offer high-quality and innovative rugged computing, display, networking and data collection solutions to the embedded, industrial, and digital-out-of-home market sectors.

### US

[sales@assured-systems.com](mailto:sales@assured-systems.com)

Sales: +1 347 719 4508  
Support: +1 347 719 4508

1309 Coffeen Ave  
Ste 1200  
Sheridan  
WY 82801  
USA

### EMEA

[sales@assured-systems.com](mailto:sales@assured-systems.com)

Sales: +44 (0)1785 879 050  
Support: +44 (0)1785 879 050

Unit A5 Douglas Park  
Stone Business Park  
Stone  
ST15 0YJ  
United Kingdom

VAT Number: 120 9546 28  
Business Registration Number: 07699660