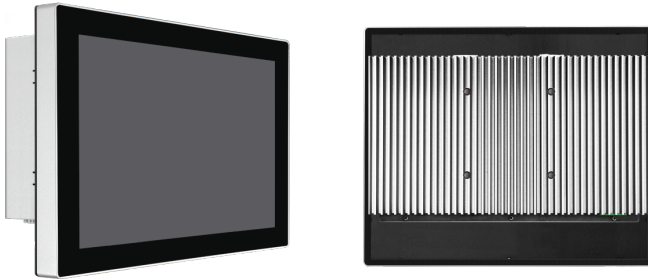


# LPC-P104S-3X

10.4" P-cap Panel PC with 7th/6th Gen Kaby Lake-U/Skylake-U Core™ i7/i5/i3, IP65 / 66 Bezel-Free and Wide Range Power Input



## Features

- ▶ 7th/6th Gen Core™ i7/i5/i3
- ▶ IP65 / 66 Front Panel
- ▶ Bezel-Free Design
- ▶ -30°C Cold Start
- ▶ Fanless Design
- ▶ 3-Pin Power Input Terminal Block
- ▶ DC 9~36V Wide Range Power Input
- ▶ 1024\*768 Resolution
- ▶ 350 nits LED Backlight
- ▶ Optional 1000 nits LED Backlight
- ▶ Optional to Resistive Touch



### System

|                   |   |
|-------------------|---|
| Processor         | 7th/6th Gen Kaby Lake-U/Skylake-U Core™ i7/i5/i3  |
| System Memory     | DDR4 2133 MHz SO-DIMM, up to 16 GB  |
| External I/O Port | 4 x USB 3.0<br>2 x GbE LAN (I210-AT & I219LM, AMT 11.x supported)                         |
|                   | 1 x Display Port<br>1 x HDMI<br>2 x RS-232  |
|                   | 1 x RS-232/422/485 (COM1)<br>1 x Audio<br>1 x Power press button<br>1 x 3-Pin Power Input |
| Storage           | 1 CFAST Slot, Push-in/ Push-out Ejector<br>1 x mSATA (full size mini-PCIe)                |
| Operating System  | 6th Gen CPU for Win 7 Pro/ WES7 / Win 8 / Win 10<br>7th Gen CPU for Win 10                |
| Expansion         | 2 x MiniPCIe Slot   |

### LCD

|                    |               |
|--------------------|---------------|
| Display Type       | 10.4" TFT LCD |
| Max. Resolution    | 1024*768      |
| Max. Color         | 16.2M         |
| Luminance          | 350 nits      |
| View Angle         | 75/75/75/75   |
| Backlight Lifetime | 30,000 hours  |

### Environment

|                |  |
|----------------|--|
| Operating Temp | -30~70°C<br>IEC-60068-2-1/2/14                         |
| Storage Temp   | -30~70 °C  |
| Humidity       | 10~90% @40 °C, non-condensing                          |
| EMC            | FCC / CE Class A Certification<br>CE Class B Compliant |
| Vibration      | 1.5 Grms @10~500Hz, IEC-60068-2-64                     |

### Power Requirement

|             |   |
|-------------|---|
| Power Input | 3-Pin Power Input Terminal Block<br>DC 9~36V Wide Range Power Input |
|-------------|---|

### Mechanical

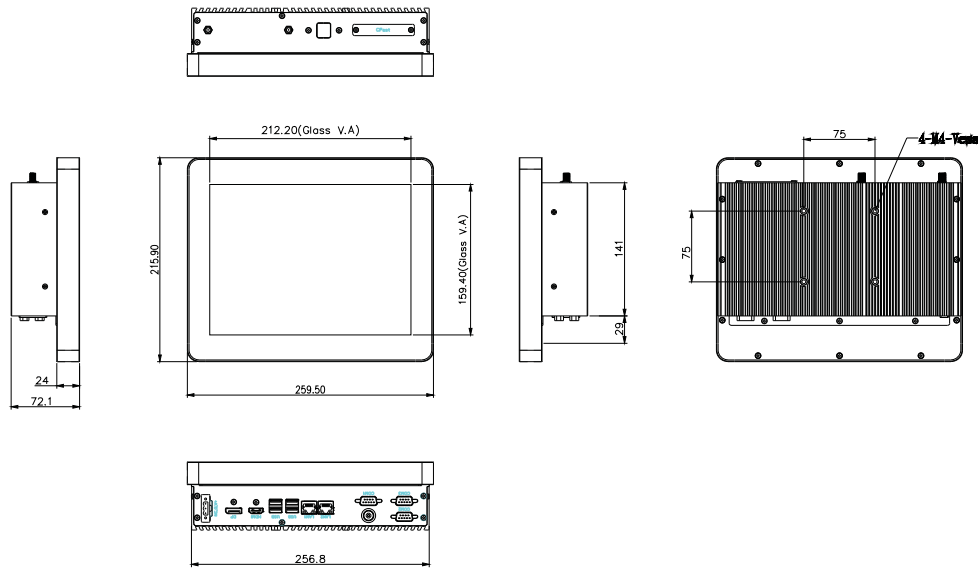
|              |                                   |
|--------------|-----------------------------------|
| Construction | Aluminum Front Bezel and Case     |
| IP Rating    | Front Panel IP65 / IP66 Compliant |
| Mounting     | VESA / Panel Mount (Optional)     |
| Dimension    | TBC                               |

### Touch Screen

|      |                           |
|------|---------------------------|
| Type | 10.4" P-cap USB interface |
|------|---------------------------|

\* All specifications are subject to change without prior notice.

## Dimension & I/O Connector



### Ordering Information

|                |  |
|----------------|--|
| LPC-P104S-35   | 10.4" P-cap Panel PC with i3-6100U, 1024 x 768 Resolution, 350 nits, DC9~36V Power Input, including a 3-Pin Power Adapter (12V/7.5A)                           |
| LPC-P104S-36   | 10.4" P-cap Panel PC with i5-6300U, 1024 x 768 Resolution, 350 nits, DC9~36V Power Input, including a 3-Pin Power Adapter (12V/7.5A)                           |
| LPC-P104S-37   | 10.4" P-cap Panel PC with i7-6600U, 1024 x 768 Resolution, 350 nits, DC9~36V Power Input, including a 3-Pin Power Adapter (12V/7.5A)                           |
| LPC-P104S-38   | 10.4" P-cap Panel PC with i5-7600U, 1024 x 768 Resolution, 350 nits, DC9~36V Power Input, including a 3-Pin Power Adapter (12V/7.5A) ( Only work with Win 10 ) |
| WFK-024        | WiFi kits w/ cable & Antenna (2.4GHz, 802.11 b/g/n, 1T1R)  |
| WFK-524        | WiFi kits w/ cable & Antenna (2.4 & 5GHz, 802.11 a/b/g/n/ac + BT, 2T2R)  |
| 04-US-26-00002 | 120 W / 24V power adapter with 3 pin terminal block (For High Brightness Model)  |

### Ordering Code

|   |                                |
|---|--------------------------------|
| LPC-P104S-3X                                | -H / -OB / -G / -AG / -AR / -V |
| H = High Brightness 1000 nits LED backlight |                                |
| OB = Optical Bonding                        |                                |
| G = Glass without touch                     |                                |
| AG = Anti-Glare                             |                                |
| AR = Anti-Reflection                        |                                |
| V = Vandal Proof Glass (By Project)         |                                |

## Assured Systems

Assured Systems is a leading technology company with over 1,500 regular clients in 80 countries, deploying over 85,000 systems to a diverse customer base in 12 years of business. We offer high-quality and innovative rugged computing, display, networking and data collection solutions to the embedded, industrial, and digital-out-of-home market sectors.

### US

[sales@assured-systems.com](mailto:sales@assured-systems.com)

Sales: +1 347 719 4508  
Support: +1 347 719 4508

1309 Coffeen Ave  
Ste 1200  
Sheridan  
WY 82801  
USA

### EMEA

[sales@assured-systems.com](mailto:sales@assured-systems.com)

Sales: +44 (0)1785 879 050  
Support: +44 (0)1785 879 050

Unit A5 Douglas Park  
Stone Business Park  
Stone  
ST15 0YJ  
United Kingdom

VAT Number: 120 9546 28  
Business Registration Number: 07699660