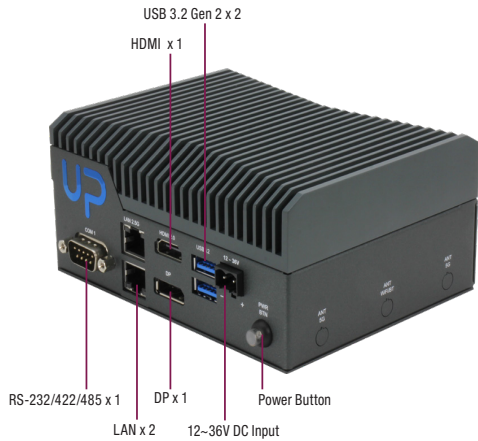


UP Squared Pro 710H Edge PRELIMINARY

UP Squared Pro 710H Edge System with Intel Atom® x7000 RE Series, Intel® Processor N Series, and Intel® Core™ i3-N305 Processors

Front View



Rear View



Features

- Intel Atom® x7000 RE Series, Intel® Processor N Series, and Intel® Core™ i3-N305 Processors
- Onboard Hailo-8™ edge AI processor
- Onboard LPDDR5 Memory, up to 16GB
- Onboard eMMC Storage, up to 128GB
- 2.5GbE x 2 (Intel® I226-IT)
- USB 3.2 (Type-A) x 2
- 40-pin GPIO x 1
- DP 1.2 x 1/HDMI 2.0b x 1
- RS-232/422/485 x 2
- M.2 2230 E-Key/M.2 2280 M-Key (Optional: M.2 3052 B-Key x 1)
- Onboard TPM 2.0
- 12V~36V DC-in with Phoenix Connector



Specifications

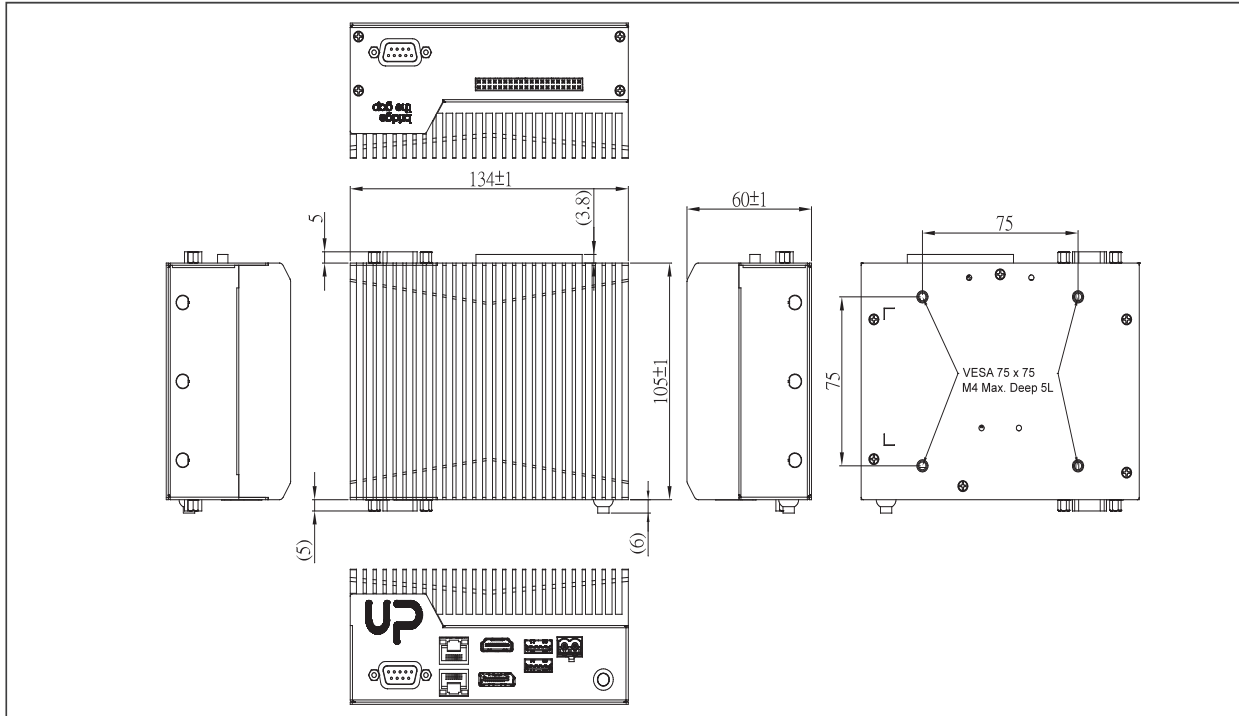
| System | |
|----------------------------|--|
| CPU | Intel® Core™ i3-N305 (8C, 1.80 GHz, 15W) Intel® Processor N97 (4C, 2.00 GHz, 12W) Onboard Hailo-8™ edge AI processor |
| Memory | Up to 16GB onboard LPDDR5 |
| Graphics | Intel® UHD Graphics for 12th Gen Intel® Processors |
| Storage | Up to 128GB onboard eMMC |
| Ethernet | 2.5GbE x 2 (Intel® I226-IT) |
| WiFi/BT | Optional with M.2 2230 E-key x 1 |
| Expansion Slot | M.2 2230 E-Key x 1 (CNVI, PCIe Gen 3 [x1], USB 2.0) M.2 2280 M-Key x 1 (PCIe Gen 3 [x2]), Optional: M.2 3052 B-Key with Nano SIM slot (USB 3.0) |
| Security | Onboard TPM 2.0 |
| OS Support | Windows® 10 IoT Enterprise Ubuntu 22.04 LTS |
| I/O Placements | |
| USB | USB 3.2 Gen 2 x 2 (Type-A) |
| Display Port | HDMI 2.0b x 1 DP 1.2 x 1 |
| Ethernet | 2.5GbE x 2 (Intel® I226-IT) |
| COM | RS-232/422/485 x 2 |
| Audio | — |
| GPIO | 40-pin GPIO x 1 |
| Power Supply | |
| Power requirement | 12V-36V DC-in Phoenix connector (Optional: Lockable plug) |
| Power supply type | AT/ATX (AT as default) |
| Power Consumption(Typical) | 50W~55W |
| Mechanical | |
| Mounting | VESA Mount/Wall Mount/DIN RAIL (Optional) |
| Dimensions (WxHxD) | 5.28" x 4.13" x 2.36" (134mm x 105mm x 60mm) |
| Net Weight | 1.8 lbs (0.69kg) |
| Gross Weight | 2.2 lbs (0.97kg) |
| Environment | |
| Operating Temperature | 32°F ~ 140°F (0°C ~ 60°C) / 0.5 airflow |
| Operating Humidity | 0% ~ 90% relative humidity, non-condensing |
| Storage Temperature | -4°F ~ 158°F (-20°C ~ 70°C) |
| MTBF | 422,053 Hours |
| Certification | CE/FCC Class A, RoHS Compliant, REACH |

UP Squared PRO 710H Edge

08

UP Systems

Dimension Unit: mm



Packing List

- UP Squared Pro 710H Edge x 1
- DC in Phoenix Connector x 1

Optional Accessories

| Part Number | Description |
|-------------|---|
| 1255X00091 | (TF)AC/DC Adapter.Input AC:100-240V.Output DC:12V.MAX 72W.6.0A.Wire Stripping and Tinning. EDAC.EA10681U(T19) |
| 170203180J | Power Cord for UK |
| 170X000799 | Power Cord for USA |
| 170X000800 | Power Cord for EU |
| 170X000815 | Power Cord for China |
| 170X000806 | Power Cord for Taiwan |
| 170X000803 | Power Cord for Japan |
| 170X000810 | Power Cord for South Korea |
| 170X000805 | Power Cord for Switzerland |
| M206614000 | Mounting Clip for DIN RAIL |

Ordering Information

| PART NUMBER | CPU | CORE | MEMORY | STORAGE | HEATSINK | VPU | OPERATING TEMPERATURE |
|---------------------------|----------------------|--------|--------|---------|----------|------------------------------------|---|
| UPN-EDGE-ASLHN97-A10-0864 | Intel® Processor N97 | 4 Core | 8GB | 64GB | FANLESS | Onboard Hailo-8™ edge AI processor | 32°F ~ 140°F (0°C ~ 60°C) / 0.5 airflow |
| UPN-EDGE-ASLH3-A10-16128 | Intel® Core™ i3-N305 | 8 Core | 16GB | 128GB | FANLESS | Onboard Hailo-8™ edge AI processor | 32°F ~ 140°F (0°C ~ 60°C) / 0.5 airflow |

Assured Systems

Assured Systems is a leading technology company with over 1,500 regular clients in 80 countries, deploying over 85,000 systems to a diverse customer base in 12 years of business. We offer high-quality and innovative rugged computing, display, networking and data collection solutions to the embedded, industrial, and digital-out-of-home market sectors.

US

sales@assured-systems.com

Sales: +1 347 719 4508
Support: +1 347 719 4508

1309 Coffeen Ave
Ste 1200
Sheridan
WY 82801
USA

EMEA

sales@assured-systems.com

Sales: +44 (0)1785 879 050
Support: +44 (0)1785 879 050

Unit A5 Douglas Park
Stone Business Park
Stone
ST15 0YJ
United Kingdom

VAT Number: 120 9546 28
Business Registration Number: 07699660