

EIC

2000

NXP i.MX 8M Plus Edge AI Computing System



^ Base Transceiver Station



- Industrial-grade NXP i.MX 8M Plus Quad Core Arm Cortex-A53 Processor, embedded Neural Processing Unit, up to 2.3 TOPS AI performance
- Supports up to 3840 x 2160 4K UHD
- 2 GigE LAN with 1 TSN supported
- 2 SIM sockets for multiple WiFi/BT/5G/4G/LTE/GPRS/UMTS
- Optional 6-bit GPIO and 2 CAN Bus supports Flexible Data-rate
- 9V to 55V wide range DC Power Input
- Fanless -25°C to 70°C operation

v Smart Manufacturing



^ Irrigation System



Specifications

System

CPU	NXP i.MX 8M Plus Quad Core Arm Cortex-A53 processor
Memory	1 LPDDR4 SDRAM, 4GB
OS	Ubuntu 20.04 LTS

I/O Interface

USB	2 USB 3.0 Type A
Serial	2 COM RS-232/422/485
GPIO	6-bit GPIO (Optional)
CAN Bus	2 CAN Bus support CAN FD (Optional)
Micro USB	1 Micro USB console debug port
Button	- 1 User-define Button - 1 Reset Button
LED	Power, Ready, 2 WLAN
SIM	2 Nano SIM Card Socket
Antenna	6 Antenna for WiFi/BT/5G/4G/LTE/GPRS/UMTS

Expansion

M.2	1 M.2 Key B Socket (3042/3052, PCIe/USB3(Default))
Mini PCIe	1 Full-size Mini PCIe Socket

Graphics

Interface	1 Digital Display, up to 3840 x 2160 @30Hz
Video Encode	- HEVC : Up to 1080p @60 - H.264 : Up to 1080p @60
Video Decode	- HEVC : Up to 1080p @60 - H.264 : Up to 1080p @60

Storage

eMMC	1 eMMC, 32GB
SD	1 Micro SD, supports SDHC (External)

Ethernet

LAN 1	10/100/1000 Base-T Ethernet GigE LAN supports TSN, RJ45 Connector
LAN 2	10/100/1000 Base-T Ethernet GigE LAN, RJ45 Connector

Power

Power Input	DC 9V to 55V
Power Interface	3-pin Terminal Block : V+, V-, Frame Ground

Mechanical

Dimensions	130 mm x 78.5 mm x 42 mm (5.12" x 3.09" x 1.65")
Weight	0.5 kg (1.1 lbs)
Mounting	- Wallmount by mounting bracket - DIN Rail Mount (Optional)

Environment

Operating Temp.	-25°C to 70°C (-13°F to 158°F)
Storage Temp.	-40°C to 85°C (-40°F to 185°F)
Humidity	5% to 95% Humidity, non-condensing
Relative Humidity	95% @70°C
Shock	Operating, MIL-STD-810G, Method 516.7, Procedure I
Vibration	Operating, MIL-STD-810G, Method 514.7, Procedure I, Category 4
EMC	CE, FCC, EN50155, EN50121-3-2

* All product information may subject to change without prior notice.
* The rights of all brand names, product names and trademarks belong to their respective owners.
Copyright © 2023 Vecow Co., Ltd. All rights reserved.

Vecow info@vecow.com



Order Information

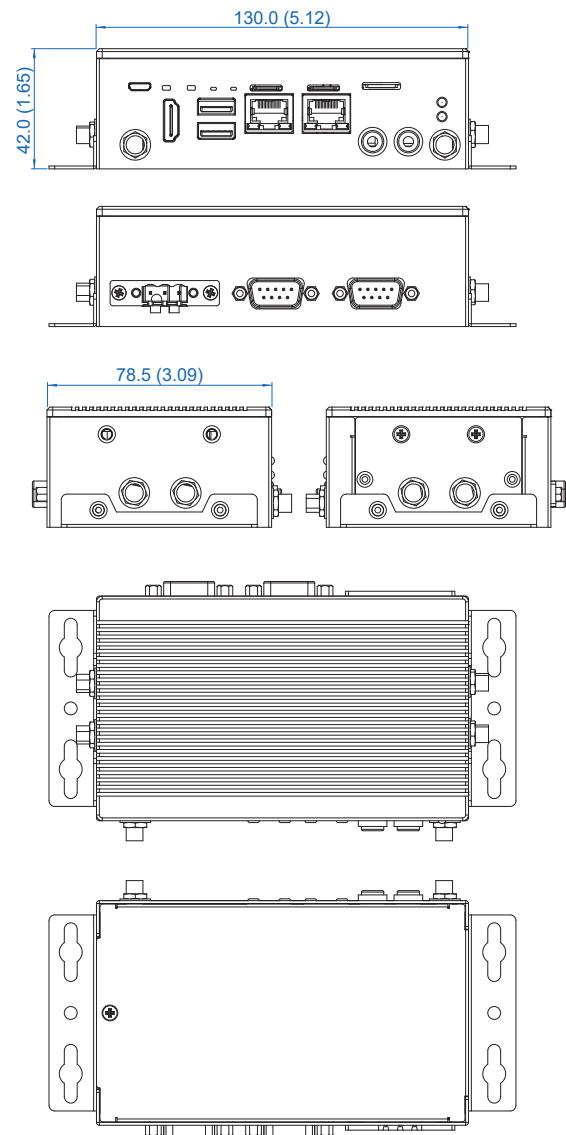
Model Name	Platform	LAN	USB 3.0	Serial	Digital Display	M.2	SIM
EIC-2000	NXP i.MX 8M Plus	2	2	2	1	1	2

Accessories

PWA-60WP3-WT	60W, 24V, 90V AC to 264V AC Power Adapter with 3-pin Terminal Block, Wide Temperature -30°C to +70°C
PWA-60WP3-WT-12V	60W, 12V, 90V AC to 264V AC Power Adapter with 3-pin Terminal Block, Wide Temperature -30°C to +70°C
DIN-RAIL	DIN Rail Kit
5G Module	5G Module with Antenna
4G Module	4G/GPS Module with Antenna
WiFi & Bluetooth	WiFi & Bluetooth Module with Antenna

Dimensions & Drawing

Unit : mm (inch)



Assured Systems

Assured Systems is a leading technology company with over 1,500 regular clients in 80 countries, deploying over 85,000 systems to a diverse customer base in 12 years of business. We offer high-quality and innovative rugged computing, display, networking and data collection solutions to the embedded, industrial, and digital-out-of-home market sectors.

US

sales@assured-systems.com

Sales: +1 347 719 4508
Support: +1 347 719 4508

1309 Coffeen Ave
Ste 1200
Sheridan
WY 82801
USA

EMEA

sales@assured-systems.com

Sales: +44 (0)1785 879 050
Support: +44 (0)1785 879 050

Unit A5 Douglas Park
Stone Business Park
Stone
ST15 0YJ
United Kingdom

VAT Number: 120 9546 28
Business Registration Number: 07699660