

ECX700-AL

Intel® Atom® Processor E3900 Series
Ruggedized Fanless Embedded System



KEY FEATURES



Outdoor IoT Gateway

Ruggedized IPC67 grade box PC



Wide Temperature

Operating temperature: -40° to 70° C



Wide Voltage

Power range: 9~36V



eMMC

4GB DDR3 onboard, 64G eMMC



Wireless

Optional WiFi, LTE, CanBus



PANEL



Top View



Bottom View

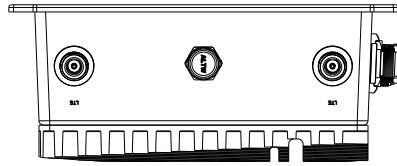


Right View

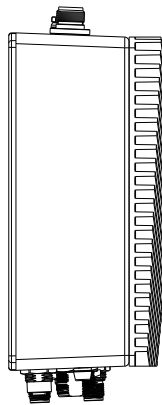


Stand View

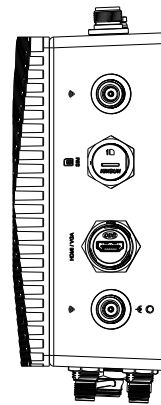
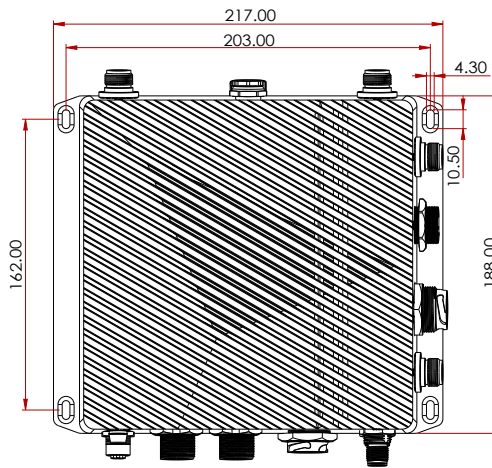
DIMENSIONS



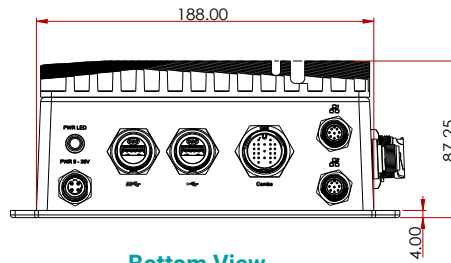
Sky View



Left View



Right View



Bottom View

SPECIFICATION

SYSTEM	Processor	Intel® Atom® Processor E3900 Series, BGA 1296 Intel® Atom® x7-E3950 Processor, Quad Core, 2M Cache, 1.6GHz (2.0GHz), 12W Intel® Atom® x5-E3940 Processor, Quad Core, 2M Cache, 1.6GHz (1.8GHz), 9.5W Intel® Atom® x5-E3930 Processor, Dual Core, 2M Cache, 1.3GHz (1.8GHz), 6W
	Memory	2GB/4GB/8GB memory onboard
	BIOS	AMI SPI 128Mbit (supports UEFI/Legacy mode and Security Boot (optional))
	GRAPHICS	Controller
GRAPHICS	Feature	OpenGL 4.2, Direct X 11.1, OpenCL 1.2, OGL ES 3.0 HW Decode: H.264, MPEG2, VC1, VP8, H.265, MPEG4, MVC, VP9, WMV9, JPEG/MJPEG HW Encode: H.264, MPEG4, VP8, H.265, MVC
	Display	1 x HDMI or VGA VGA: resolution up to 1920 x 1200@60Hz HDMI: resolution up to 3840x2160@30Hz
	STORAGE	EMMC
EXPANSION	Interface	1 x Full-size Mini PCIe for 4G LTE module 1 x Full-size Mini PCIe for Canbus 1 x M.2 2230 (USB2.0/PCIe) for WiFi module
ETHERNET	Controller	2 x Intel® I210AT PCIe (10/100/1000Mbps)
LED	Indicators	1 x Power Status LED
BOTTOM I/O	USB	2 x USB 3.0
	LAN	2 x GbE
	Combo	2 x RS232 and 2 x Can bus protocol
	Power	1 x 9~36V DC-IN
TOP I/O	Antenna Hole	2 x Antenna (LTE)
	Vent	1 x Vent
FRONT I/O	Display	1 x HDMI or 1 x VGA (optional)
	SIM slot	1 x SIM card slot
	Antenna Hole	2 x Antenna (WiFi)
WATCHDOG TIMER	Output & Interval	System Reset, Programmable via Software from 1 to 255 Seconds
SECURITY	TPM	TPM 1.2/ 2.0
POWER	Type	DC-in 9~36V
	Connector	M12 D-code
OS SUPPORT	Microsoft	Windows 10 IoT Enterprise 64-bit
	Linux	Linux
MECHANISM	Mounting	Wall Mount
	Dimensions (W x H x D)	217 x 188 x 87 mm (with wall-mount bracket)
	Weight	2.1 kg
ENVIRONMENT	Operating Temperature	-40 to 70°C (E3950,E3940, E3930 only)
	Storage Temperature	-40 to 85°C
	Relative Humidity	5 to 95% RH (non-condensing)
STANDARDS AND CERTIFICATIONS	Construction	IP67 enclosure
	Certifications	CE, FCC class A

ORDERING INFORMATION

Model Name	Part Number	Description
ECX700-AL	TBD	ECX700-AL-B00: E3950, 4G memory down, 64G emmc, LED, PWR, 1 USB 3.0, 1 USB 2.0, 2 LAN
ECX700-AL	TBD	ECX700-AL-BW0: E3950, 4G memory down, 64G emmc, LED, PWR, 1 USB 3.0, 1 USB 2.0, 2 LAN, WiFi
ECX700-AL	TBD	ECX700-AL-PC0: E3950, 4G memory down, 64G emmc, LED, PWR, 1 USB 3.0, 1 USB 2.0, 2 LAN, 1 HDMI or VGA, 2 COM
ECX700-AL	TBD	ECX700-AL-PC1: E3950, 4G memory down, 64G emmc, LED, PWR, 1 USB 3.0, 1 USB 2.0, 2 LAN, 1 HDMI or VGA, 2 COM + 2 CAN
ECX700-AL	TBD	ECX700-AL-PC2: E3950, 4G memory down, 64G emmc, LED, PWR, 1 USB 3.0, 1 USB 2.0, 2 LAN, 1 HDMI or VGA, 2 COM + 2 CAN, WiFi
ECX700-AL	TBD	ECX700-AL-PC3: E3950, 4G memory down, 64G emmc, LED, PWR, 1 USB 3.0, 1 USB 2.0, 1 HDMI or VGA, 2 COM + 2 CAN, WiFi, LTE
ECX700-AL	TBD	ECX700-AL-PC4: E3950, 4G memory down, 64G eMMC, LED, PWR, 1 USB 3.0, 1 USB 2.0, 2 LAN, 1 HDMI or VGA, 2 COM + 2 Can, WiFi, LTE
ECX700-AL	TBD	ECX700-AL-I00: E3950, 4G memory down, 64G emmc, LED, PWR, 1 USB 3.0, 1 USB 2.0, WiFi, LTE

Assured Systems

Assured Systems is a leading technology company with over 1,500 regular clients in 80 countries, deploying over 85,000 systems to a diverse customer base in 12 years of business. We offer high-quality and innovative rugged computing, display, networking and data collection solutions to the embedded, industrial, and digital-out-of-home market sectors.

US

sales@assured-systems.com

Sales: +1 347 719 4508
Support: +1 347 719 4508

1309 Coffeen Ave
Ste 1200
Sheridan
WY 82801
USA

EMEA

sales@assured-systems.com

Sales: +44 (0)1785 879 050
Support: +44 (0)1785 879 050

Unit A5 Douglas Park
Stone Business Park
Stone
ST15 0YJ
United Kingdom

VAT Number: 120 9546 28
Business Registration Number: 07699660