

# IBOX-JSNO

AI computing platform based on NVIDIA® Jetson Nano™ for AIoT edge computing applications



AI Solutions

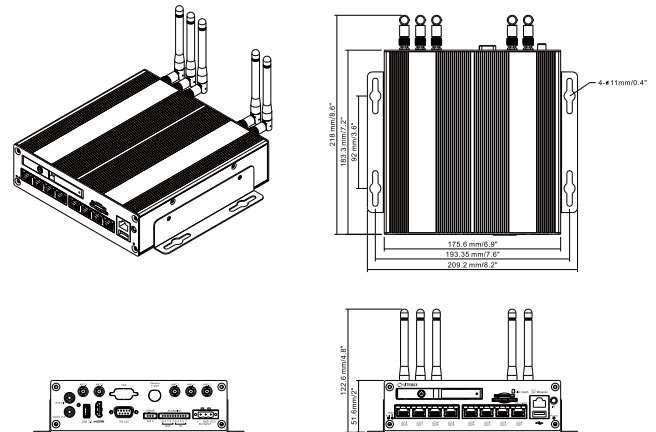
## Key Features

- NVIDIA® Jetson Nano™ with Maxwell™ GPU architecture with 128 NVIDIA CUDA® cores
- High AI computing performance for GPU-accelerated processing
- Supports Ethernet x 9 ports (PoE x 8, GbE x 1)
- Supports ONVIF 2.0, 2MP IP camera up to 8 channels
- Wide operating temperature from -20°C to +65°C
- JetPack supported

## Product Specification

System color	Black
Mechanical	Aluminum extrusion and heavy-duty steel
CPU	Quad-Core ARM® Cortex® A57 MPCore processor
GPU	NVIDIA Maxwell with 128 NVIDIA CUDA Cores
System Memory	LPDDR4 4GB-64bit on board
Flash	16Gb eMMC
Video Format	H.265/H.264
Video Input	IP Camera x 8 (Support POE)
Video Output	1 x HDMI 2.0 a/b maximum 3840 x 2160; 1 x VGA (Optional)
Resolution	4K@60fps; 2 x 4K@30fps; 8 x 1080p @30fps
Audio	RCA-in x1 / RCA-out x1
Recording Format	H.265/H.264
Recording resolution	4K@60fps; 2 x 4K@30fps; 8 x 1080p @30fps
Storage	1 x 2.5" SATA SSD
Ethernet	GbE port x1, PoE ports (10/100 MbE, total 75W)x 8
Alarm	Alarm Input /Output x 4
Front I/O	USB 2.0 x 1 GbE port x 1; PoE port x 8; 2.5" SSD bay x 1; SIM card slot x 1
Rear I/O	Audio input x 1, Audio output x 1 USB 3.0 x 1, RS-232 x 1, RS485 x 1 HDMI x 1
Expansion Slot	Mini PCIe x 2 (full-size x 1, half-size x 1)
Power supply	DC 9-36V (with ignition pin)
Operating temperature	-20°C ~ 65°C
Storage temperature	-20°C ~ 85°C
Relative humidity	95% @ 40°C (non-condensing)
Dimensions	156.6mm(W) x 183.3mm(D) x 50.5mm(H)
Weight	1.8 kg

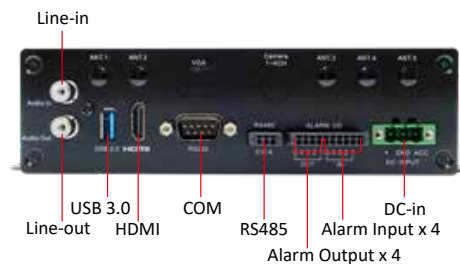
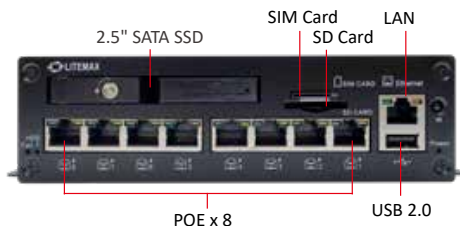
## Dimensions



## Ordering Information

Part Number	description
IBOX-JSNO-NANO-VNPO-0000	Standard Type E Fanless BOX PC, Intel Core i3-4102E 25W, HDMI/VGA, 2COM/4USB/2LAN/1Audio, BAREBONE, DC(12V)/Phoenix Connector

## Rear I/O



\*All specifications and photos are subject to change without prior notice

## Assured Systems

Assured Systems is a leading technology company with over 1,500 regular clients in 80 countries, deploying over 85,000 systems to a diverse customer base in 12 years of business. We offer high-quality and innovative rugged computing, display, networking and data collection solutions to the embedded, industrial, and digital-out-of-home market sectors.

### US

[sales@assured-systems.com](mailto:sales@assured-systems.com)

Sales: +1 347 719 4508  
Support: +1 347 719 4508

1309 Coffeen Ave  
Ste 1200  
Sheridan  
WY 82801  
USA

### EMEA

[sales@assured-systems.com](mailto:sales@assured-systems.com)

Sales: +44 (0)1785 879 050  
Support: +44 (0)1785 879 050

Unit A5 Douglas Park  
Stone Business Park  
Stone  
ST15 0YJ  
United Kingdom

VAT Number: 120 9546 28  
Business Registration Number: 07699660