

AVS-300

Intel Celeron J1900 Processor Machine Vision Application System

Industrial Panel PC

HMI Cotroller

Industrial Display Monitor

Machine Vision



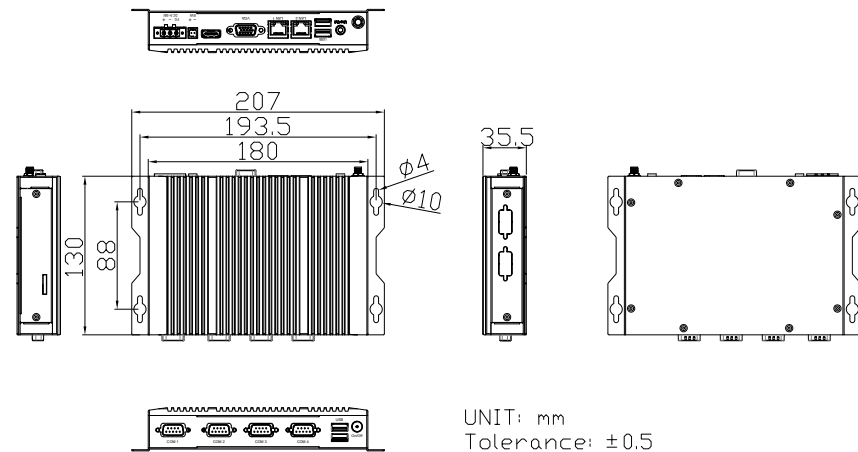
Features

- Intel Celeron J1900 Processor
- 1 x DDR3L SO-DIMM 1333MHz
- 1 x 2.5" SATA2 HDD Space
- Fanless Design
- Wide Range DC 9~36V Power Input

Specifications

System	
USB	Onboard Intel Celeron J1900 Processor
System Chipset	SoC
Memory	1 x 204-pin SO-DIMM DDR3L 1333MHz, up to 8GB
I/O Port	
USB	2 x USB 3.0 (type A) 2 x USB 2.0 (type A)
Serial/Parallel	1 x RS232/422/485, DB9 (COM1) 1 x RS232, DB9 (COM2) 1 x RS485, DB9 (COM3/4)
Audio	1 x Line out
Graph	Integrated Intel HD Graphics 688/854 MHz(J1900) 1 x VGA up to 1920 x 1200 1 x HDMI up to 1920 x 1200
LAN	2 x GbE LAN RJ-45 by intel i210AT(i211AT) controller
Storage Space	
HDD	1 x 2.5" SATA2 HDD/SSD bay 1 x mSATA
Expansion	
Expansion slot	1 x Mini PCIe slot
Power	
Power Input	DC 9~36V
Mechanical	
Dimensions	207 x 130 x 35.5 mm
Gross weight	1.05Kg
Environmental	
Operating Temperature	-20°C~70°C
Storage Temperature	-40°C~85°C
Storage Humidity	10 to 90%@ 40°C, non-condensing, operating
Certificate	Meet CE/FCC Class A
Operating System Support	
	Windows 7 32/64bit, Windows10

Dimensions



Assured Systems

Assured Systems is a leading technology company with over 1,500 regular clients in 80 countries, deploying over 85,000 systems to a diverse customer base in 12 years of business. We offer high-quality and innovative rugged computing, display, networking and data collection solutions to the embedded, industrial, and digital-out-of-home market sectors.

US

sales@assured-systems.com

Sales: +1 347 719 4508
Support: +1 347 719 4508

1309 Coffeen Ave
Ste 1200
Sheridan
WY 82801
USA

EMEA

sales@assured-systems.com

Sales: +44 (0)1785 879 050
Support: +44 (0)1785 879 050

Unit A5 Douglas Park
Stone Business Park
Stone
ST15 0YJ
United Kingdom

VAT Number: 120 9546 28
Business Registration Number: 07699660