

W27L100-MLA3FP

27" 4K2K UHD Defence Display



KEY FEATURES

- 27" Display with 4K2K UHD PCAP Rack Mount Defence Display (3840 x 2160) native resolution
- Compliant MIL-STD 810G/ MIL-STD 461E
- Rack mount mechanical design, supports VESA mount
- PCAP multi-touch screen
- Defence-grade power connector (MIL-DTL-38999/1)
- AC 100~240V, Universal, ±10%; DC 9~36V, ±10% (Optional)
- Convenient on-screen display controls



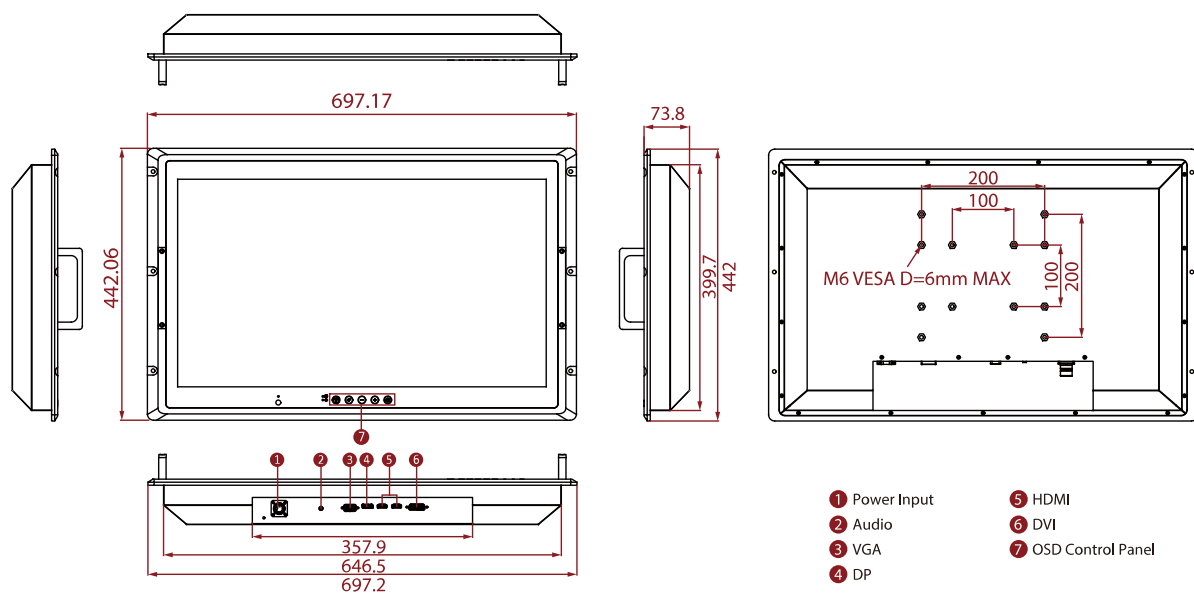
SPECIFICATIONS

Display			
Resolution	3840x2160	Size	27 inches
Contrast Ratio	1000:1	Panel Brightness	300 nits
Display Color	1.07B Colors	View Angles	89,89,89,89
Active Area	596.16x335.34 mm	Touch / Glass	Projected Capacitive Multi Touch Screen PCAP with With ITO Flim (Optional)
Environment			
Operating Humidity	10% to 95% RH	Operating Temperature	0~50°C
Storage Temperature	-25°C~60°C		
Compliance			
MIL-STD 461E/F	RE101 / RE102 CE101 / CE102 with EMI Glass / Touch(Optional) RS101 / RS 103 CS101 / CS 106 / CS 109 / CS 114 / CS 115 / CS 116	MIL-STD 810F/G	Vibration Method 514.5 Humidity Method 507.4 Transit Drop Method516.5
Certification			
Certification	CE, FCC		
IO Ports			
USB Port	1 x USB for Touch Screen (Optional)	Serial Port	1 x RS232 for Remote Control (Optional)
Video	1 x VGA 1 x DVI 1 x Display Port 1.2 1 x HDMI 1.4 (Optional) 1 x HDMI 2.0 (Optional)	Audio	1 x Audio Line In (Optional)
Mechanical			
Dimension	697.2 x 442 x 73.8 mm	Mounting	VESA Mount/ Rack Mount
Enclosure	Metal	Cooling System	Fanless Design
Accessory			
Accessory	1 x User Manual(Hardcopy) 1 x Power Cord MILDTL38999/1 1 x VGA Cable	Optional Accessory	1 x Audio cable

- 1 x DVI Cable
- 2 x HDMI Cable
- 1 x DP Cable

Power	
Power Rating	AC 100~240V, Universal, ±10% DC 9~36V, ±10% (Optional)
Control	
Button	5 x Capacitive Touch Key Power Brightness+ Brightness- OSD/ Enter ESC

DIMENSIONS UNIT:MM



NOTE

1. This is a simplified drawing and some components are not marked in detail.
2. If you require an external test report, Winmate will charge an NRE fee.
3. Please contact our sales representative if you need further product information.
4. All specifications are subject to change without prior notice.
5. The product shown in this datasheet is a standard model. For diagrams that contain customized or optional I/O, please contact the Winmate Sales Team for more information.

Assured Systems

Assured Systems is a leading technology company with over 1,500 regular clients in 80 countries, deploying over 85,000 systems to a diverse customer base in 12 years of business. We offer high-quality and innovative rugged computing, display, networking and data collection solutions to the embedded, industrial, and digital-out-of-home market sectors.

US

sales@assured-systems.com

Sales: +1 347 719 4508

Support: +1 347 719 4508

1309 Coffeen Ave
Ste 1200
Sheridan
WY 82801
USA

EMEA

sales@assured-systems.com

Sales: +44 (0)1785 879 050

Support: +44 (0)1785 879 050

Unit A5 Douglas Park
Stone Business Park
Stone
ST15 0YJ
United Kingdom

VAT Number: 120 9546 28

Business Registration Number: 07699660