

# R10L100-VMP3

## 10.4" G-WIN VM Series Display



### KEY FEATURES

- High Quality 10.4" panel, 640 x 480 resolution, 450 nits
- 5 Wire resistive touch screen
- -10~50°C Wide Range Operating Temperature
- Anti-Corrosion housing with Fanless Design
- Front IP65 Dust & Waterproof Protection (Except I/O ports)
- 10 ~ 60V DC Isolation Wide Range Power Input. Optional Ignition on/off control function.
- Compliance With EN50155



### SPECIFICATIONS

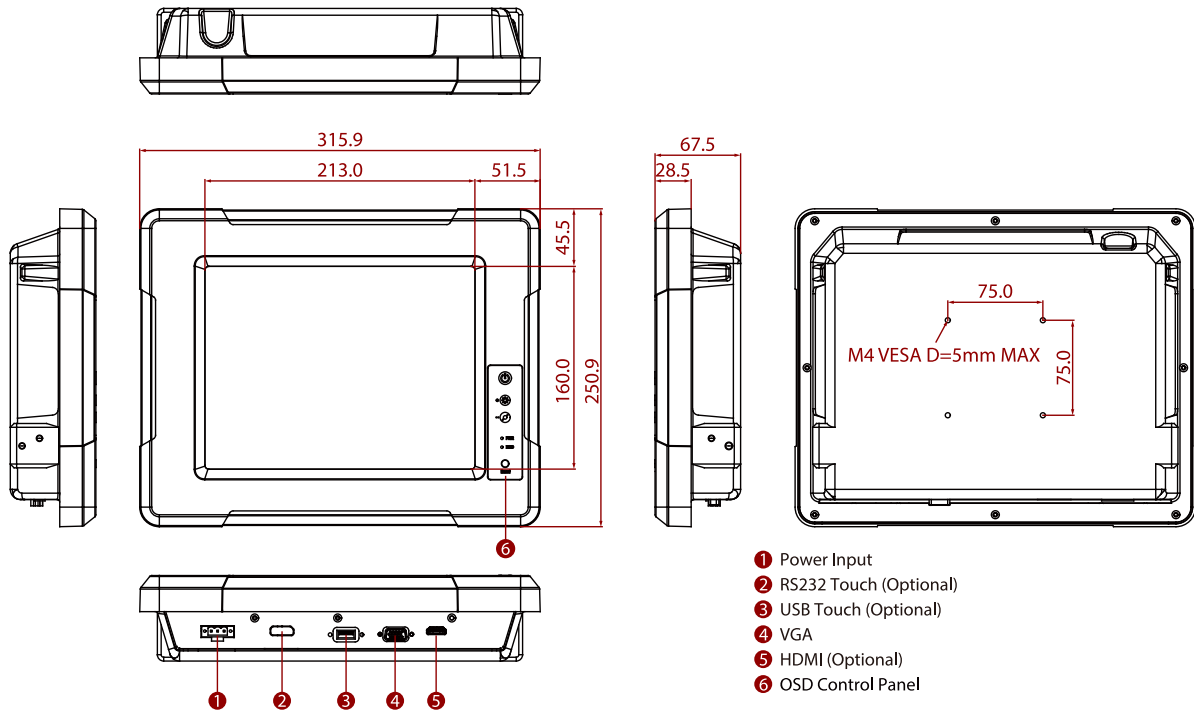
Display			
<b>Resolution</b>	640x480	<b>Size</b>	10.4 inches
<b>Contrast Ratio</b>	700:1	<b>Panel Brightness</b>	450.0 nits
<b>Display Color</b>	16.2M Colors	<b>View Angles</b>	80,80,80,60
<b>Active Area</b>	211.2x158.4 mm	<b>Touch / Glass</b>	Resistive Touch Screen (Optional) Protection Glass Without Touch Function (Optional)
Mechanical			
<b>Dimension</b>	315 x 250 x 67 mm	<b>Weight</b>	2.9 kg
<b>Mounting</b>	VESA Mount Yoke Mount	<b>Enclosure</b>	Aluminum Housing
<b>Cooling System</b>	Fanless design		
Environment			
<b>Operating Humidity</b>	10% to 90% RH, Non-Condensing	<b>Operating Temperature</b>	-10°C to 55°C
<b>Storage Temperature</b>	-30°C to 70°C	<b>Shock</b>	MIL-STD-810G Method 516.6 Procedure I (Optional)
<b>Vibration</b>	MIL-STD-810G Method 514.6 Procedure I	<b>IP rating</b>	Front IP65
Certification			
<b>Certification</b>	CE, FCC		
IO Ports			
<b>Power Input</b>	1 x 10~60V DC, 3-Pin Terminal Block	<b>USB Port</b>	1x USB type-A for touch screen control (Optional)
<b>Serial Port</b>	1 x RS232 D-sub9 for touch screen control (Optional)	<b>Video</b>	1x VGA input 1x HDMI input (Optional)
<b>Indicator</b>	1 x LED Indicator for power 1 x LED Indicator for status		
Control			
<b>Button</b>	1 x Power Button 1 x Adjust up button 1 x Adjust down button 1 x ESC (Auto) button 1 x Menu button		
Accessory			

**Accessory** Open Wire Cable with terminal block connector  
External VGA cable  
VESA screws

**Optional Accessory** Yoke mount stand (Optional)  
100~240V AC to DC 50W Adapter with power cord (Optional)  
External USB/COM cable for touchscreen control (Optional)  
External HDMI cable (Optional)

**System Specification**

**DIMENSIONS** UNIT:MM



**NOTE**

1. This is a simplified drawing and some components are not marked in detail.
2. The product shown in this datasheet is a standard model. For diagrams that contain customized or optional I/O, please contact the Winmate Sales Team for more information.
3. All specifications are subject to change without prior notice.

## Assured Systems

Assured Systems is a leading technology company with over 1,500 regular clients in 80 countries, deploying over 85,000 systems to a diverse customer base in 12 years of business. We offer high-quality and innovative rugged computing, display, networking and data collection solutions to the embedded, industrial, and digital-out-of-home market sectors.

### US

[sales@assured-systems.com](mailto:sales@assured-systems.com)

Sales: +1 347 719 4508  
Support: +1 347 719 4508

1309 Coffeen Ave  
Ste 1200  
Sheridan  
WY 82801  
USA

### EMEA

[sales@assured-systems.com](mailto:sales@assured-systems.com)

Sales: +44 (0)1785 879 050  
Support: +44 (0)1785 879 050

Unit A5 Douglas Park  
Stone Business Park  
Stone  
ST15 0YJ  
United Kingdom

VAT Number: 120 9546 28  
Business Registration Number: 07699660