

# W38L100-OFA1

## 37" Bar Type Open Frame Display



### KEY FEATURES

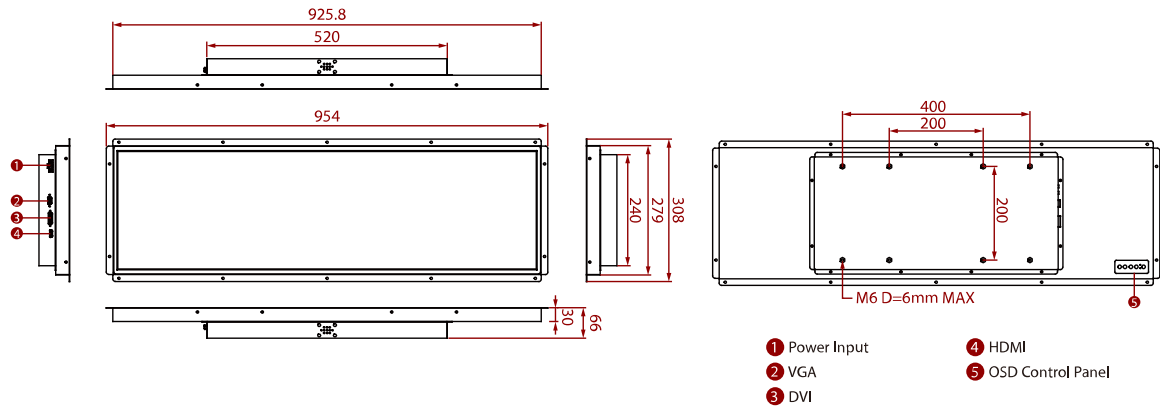
- 37", 1920 x 540
- HDMI, VGA, DVI, 38inch Bar Type Open Frame Display
- Open frame
- VESA mount
- Front IP54 waterproof and dustproof



### SPECIFICATIONS

Display			
Touch / Glass	Protection Glass	Resolution	1920x540
Size	37.0 inches	Contrast Ratio	4000:1
Panel Brightness	1500.0 nits	Display Color	1073.7M Colors
View Angles	89,89,89,89	Active Area	904.32x254.34 mm
Environment			
Operating Humidity	10% to 90% RH, Non-Condensing	Operating Temperature	0°C to 50°C
Storage Temperature	-10°C to 60°C		
Certification			
Certification	CE, FCC		
IO Ports			
Video	1 x VGA 1 x HDMI (Optional) 1 x DVI (Optional)	Audio	Audio line in (3.5mm) (Optional) 2 x Speaker (Optional)
Mechanical			
Dimension	954 x 308 x 66 mm	Mounting	VESA Mount/ Rear Mount
Enclosure	Metal	Cooling System	Fanless Design
Accessory			
Accessory	1 x VGA cable 1 x HDMI cable 100~240V AC to DC Adapter Power Cord Manual VESA screws(Varies by product)	Optional Accessory	Remote Controller (Optional,Varies by product)
Power			
Power Rating	12V DC in 24V DC in (optional)		

### DIMENSIONS UNIT:MM



**NOTE**

1. This is a simplified drawing and some components are not marked in detail.
2. Please contact our sales representative if you need further product information.
3. All specifications are subject to change without prior notice.
4. The product shown in this datasheet is a standard model. For diagrams that contain customized or optional I/O, please contact the Winmate Sales Team for more information.

## Assured Systems

Assured Systems is a leading technology company with over 1,500 regular clients in 80 countries, deploying over 85,000 systems to a diverse customer base in 12 years of business. We offer high-quality and innovative rugged computing, display, networking and data collection solutions to the embedded, industrial, and digital-out-of-home market sectors.

### US

[sales@assured-systems.com](mailto:sales@assured-systems.com)

Sales: +1 347 719 4508  
Support: +1 347 719 4508

1309 Coffeen Ave  
Ste 1200  
Sheridan  
WY 82801  
USA

### EMEA

[sales@assured-systems.com](mailto:sales@assured-systems.com)

Sales: +44 (0)1785 879 050  
Support: +44 (0)1785 879 050

Unit A5 Douglas Park  
Stone Business Park  
Stone  
ST15 0YJ  
United Kingdom

VAT Number: 120 9546 28  
Business Registration Number: 07699660