

R12L100-VMM2

12.1" G-WIN VM Series Display



KEY FEATURES

- High Quality 12.1" panel, 1024 x 768 resolution, 500 nits
- 5 Wire resistive touch screen
- -10 ~ +55°C Wide Range Operating Temperature
- Anti-Corrosion housing with Fanless Design
- 9V ~ 36V DC Isolation Wide Range Power Input



SPECIFICATIONS

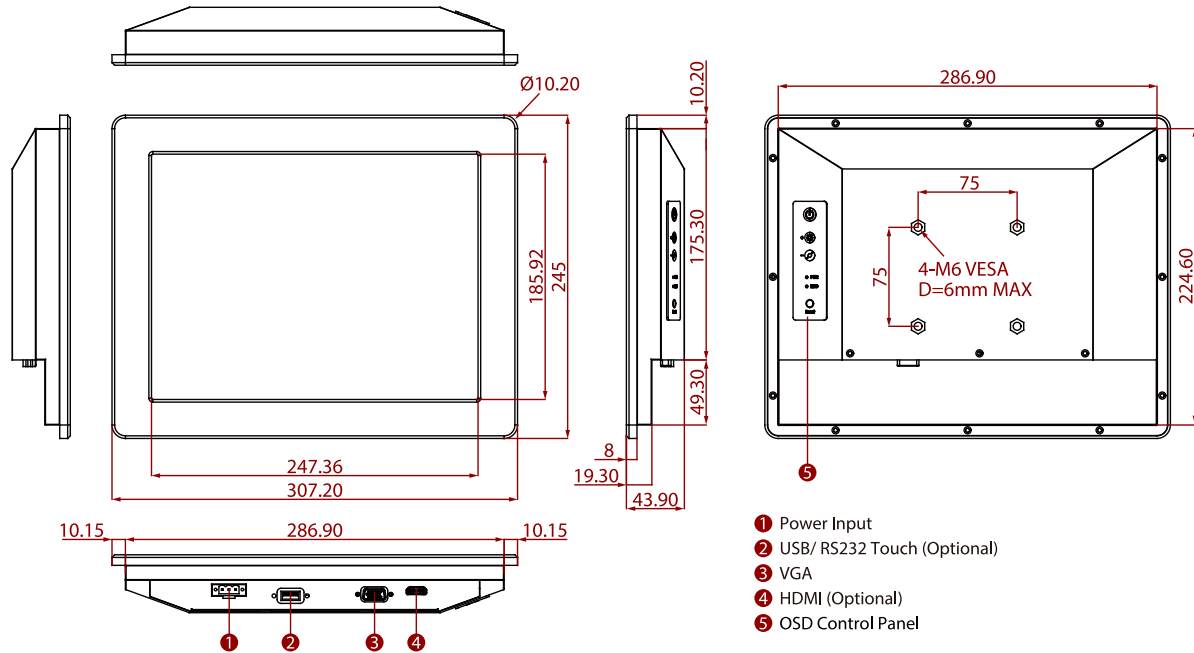
| Display | | | |
|----------------------------|--|------------------------------|---|
| Resolution | 1024x768 | Size | 12.1 inches |
| Contrast Ratio | 1000:1 | Panel Brightness | 500.0 nits |
| Display Color | 16.2M Colors | View Angles | 89,89,89,89 |
| Active Area | 245.76x184.32 mm | Touch / Glass | Resistive Touch Screen (Optional) Protection Glass Without Touch Function (Optional) |
| Mechanical | | | |
| Dimension | 307.2 x 245 x 43.9 mm | Weight | 3.1 kg |
| Mounting | VESA Mount Yoke Mount | Enclosure | Aluminum Housing |
| Cooling System | Fanless design | | |
| Environment | | | |
| Operating Humidity | 10% to 90% RH, Non-Condensing | Operating Temperature | -10°C to 55°C |
| Storage Temperature | -30°C to 70°C | Shock | MIL-STD-810G Method 516.6 Procedure I (Optional) |
| Vibration | MIL-STD-810G Method 514.6 Procedure I | IP rating | Front IP65 |
| Certification | | | |
| Certification | CE, FCC | | |
| IO Ports | | | |
| Power Input | 1 x 10~60V DC, 3-Pin Terminal Block | USB Port | 1x USB type-A for touch screen control (Optional) |
| Serial Port | 1 x RS232 D-sub9 for touch screen control (Optional) | Video | 1x VGA input 1x HDMI input (Optional) |
| Indicator | 1 x LED Indicator for power 1 x LED Indicator for status | | |
| Control | | | |
| Button | 1 x Power Button 1 x Adjust up button 1 x Adjust down button 1 x ESC (Auto) button 1 x Menu button | | |
| Accessory | | | |

Accessory Open Wire Cable with terminal block connector
External VGA cable
VESA screws

Optional Accessory Yoke mount stand (Optional)
100~240V AC to DC 50W Adapter with power cord (Optional)
External USB/COM cable for touchscreen control (Optional)
External HDMI cable (Optional)

System Specification

DIMENSIONS UNIT:MM



NOTE

1. This is a simplified drawing and some components are not marked in detail.
2. The product shown in this datasheet is a standard model. For diagrams that contain customized or optional I/O, please contact the Winmate Sales Team for more information.
3. All specifications are subject to change without prior notice.

Assured Systems

Assured Systems is a leading technology company with over 1,500 regular clients in 80 countries, deploying over 85,000 systems to a diverse customer base in 12 years of business. We offer high-quality and innovative rugged computing, display, networking and data collection solutions to the embedded, industrial, and digital-out-of-home market sectors.

US

sales@assured-systems.com

Sales: +1 347 719 4508

Support: +1 347 719 4508

1309 Coffeen Ave
Ste 1200
Sheridan
WY 82801
USA

EMEA

sales@assured-systems.com

Sales: +44 (0)1785 879 050

Support: +44 (0)1785 879 050

Unit A5 Douglas Park
Stone Business Park
Stone
ST15 0YJ
United Kingdom

VAT Number: 120 9546 28

Business Registration Number: 07699660