



Industrial Solutions Partner!

SSF/SSH2805-A

28" Resizing LCD, 1000 nits LED Backlight, 1920x360 ultra wide aspect ratio 16:3

The SSF/SSH2805-A is a 28 inch color TFT-LCD display with special aspect ratio 16:3 and wide resolution 1920 x 360. It is Litemax's Spanpixel series product which designed for high brightness 1000 nits with power efficiency LED backlight. It provides LCD panel with specific aspect ratios and sunlight readable for digital signage, public transportation, exhibition hall, department store, and vending machine.

Key Features

- 28" Resizing LCD
- Ultra Wide Screen 16:3
- High Brightness 1000 nits
- Sunlight Readable
- LED Backlight
- Low Power Consumption
- BL MTBF: 100,000 hours



Specifications

Model Name	SSF/SSH2805-A
Description	28" Resizing LCD, 1000nits LED Backlight, 1920x360
Screen Size	28"
Display Area (mm)	698.4(H) x 130.95(V)
Brightness (Typical)	1000 cd/m2
Resolution	1920x360
Aspect Ratio	16:3
Contrast Ratio (Typical)	5400 : 1
Pixel Pitch (mm)	0.36375(H) x 0.36375 (V)
Pixel Pre Inch (PPI)	70
Viewing Angle	178°(H),178°(V)
Color Saturation (NTSC)	86%
Display Colors	16.7M
Response Time (Typical)	6.5ms
Panel Interface	LVDS
Input Interface	DVI-D/VGA/HDMI
Input Power	DC12V
Power Consumption	23.32W(25.32W with AD control Board)
OSD Key	4 Keys (Power Switch, Menu, +, -)
OSD Control	Brightness, Color, Contrast, Auto Turing, H/V Position...etc
Dimensions (mm)	732 x 165 x 17.3
Bezel Size(U/B/L/R)	17.02/17.02/16.8/16.8
Weight (Net)	2.6Kg
Operating Temperature	0 °C ~ 50 °C
Storage Temperature	-20 °C ~ 60 °C

SSF= Panel + LED Driving Board

SSH= Panel + LED Driving Board + AD Control Board

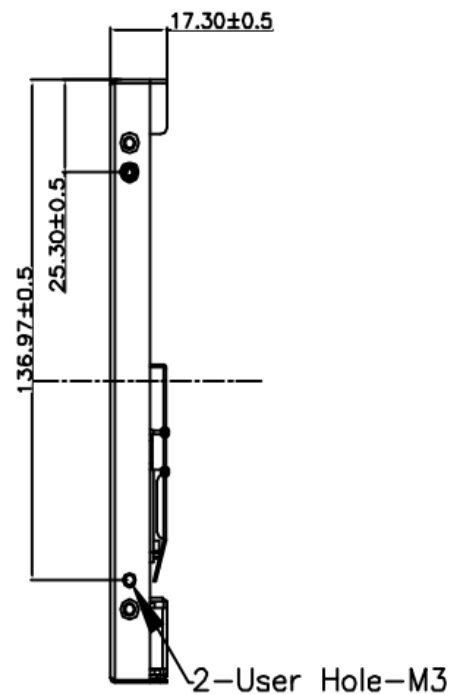
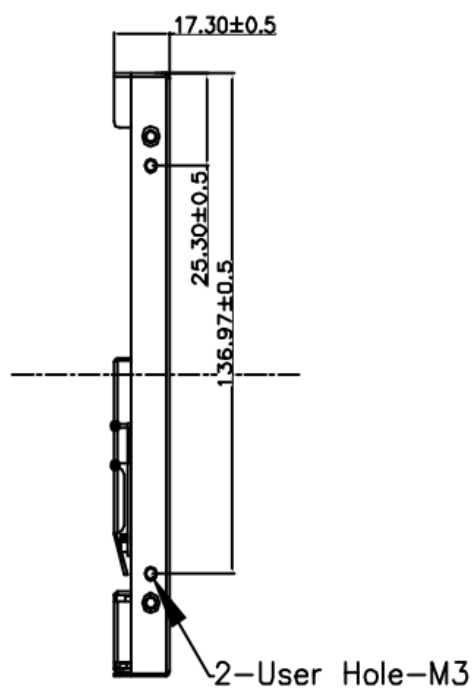
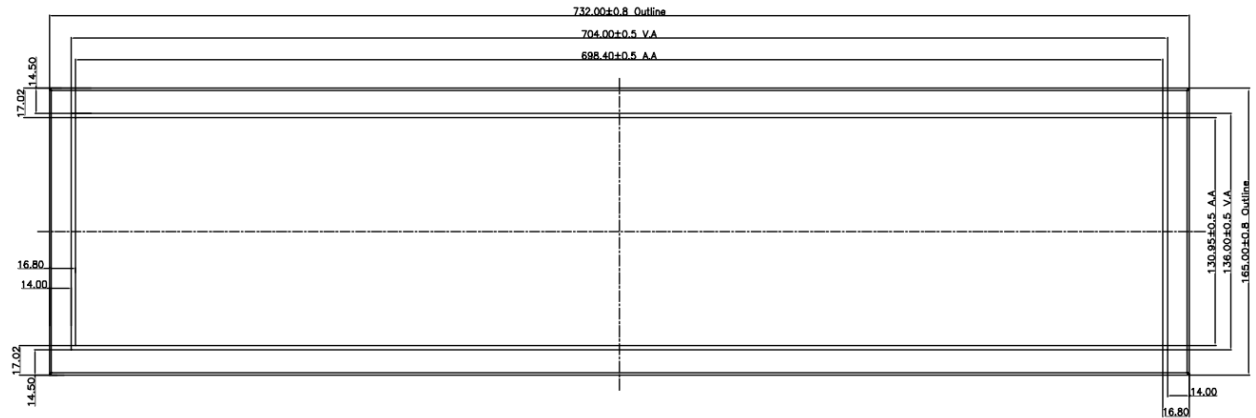
Specifications are subject to change without notice.
All brands or product names are trademarks or registered trademarks of their respective companies.

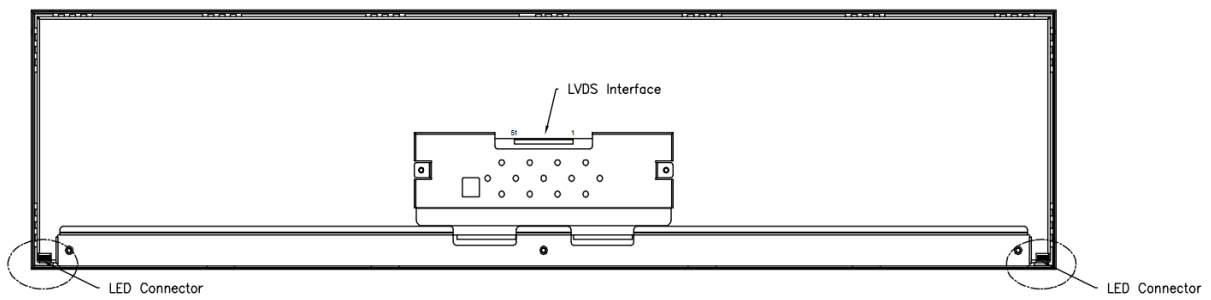
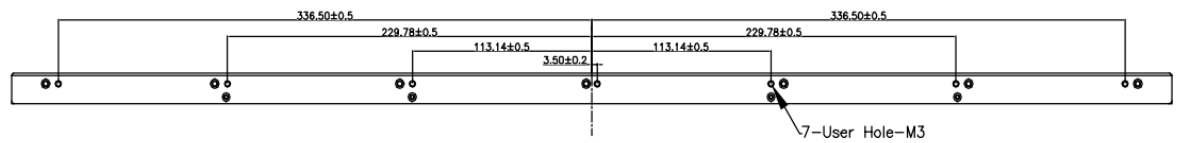
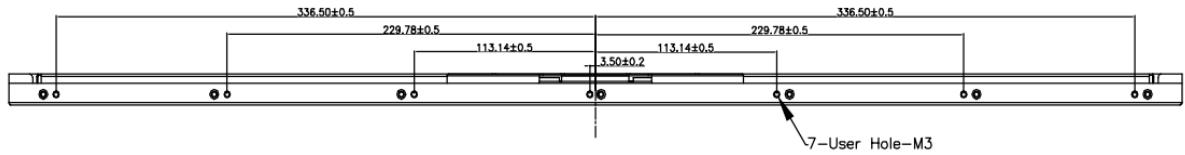


Mechanical Drawing

Outline Dimensions

Unit:mm





MECHANICAL OUTLINE, UNIT: mm



Industrial Solutions Partner!

Ordering Information

Part Number	Description
SSF2805-ANN-A11	28",1000nits,1920x360,P6.1,LID28C,4in1,V1
SSH2805-ANN-Q11	28",1000nits,1920x360,P6.1,LID28C,AD8891G-DH,DC12V,4in1,V1

Optional Accessories

Part Number	Description
840612051212	ADAPTER,AC/DC,12V/5A,60W.Power-Din-4P,CWT.G99-ABF060F-N022.Efficiency-level-6,R
810618301010	CABLE,POWER,AC,1830mm USA type
810618301090	CABLE,POWER,AC,1830mm Europe type
810618301050	CABLE,POWER,AC,1830mm UK type
810618301170	CABLE,POWER,AC,1830mm Australia type
810618301031	CABLE,POWER,AC,1830mm Japan type

Customer request

Touch	SCT (Single-Touch), PCT (Multi-Touch)
Glass	Tempered glass, AR coating.....

Assured Systems

Assured Systems is a leading technology company with over 1,500 regular clients in 80 countries, deploying over 85,000 systems to a diverse customer base in 12 years of business. We offer high-quality and innovative rugged computing, display, networking and data collection solutions to the embedded, industrial, and digital-out-of-home market sectors.

US

sales@assured-systems.com

Sales: +1 347 719 4508
Support: +1 347 719 4508

1309 Coffeen Ave
Ste 1200
Sheridan
WY 82801
USA

EMEA

sales@assured-systems.com

Sales: +44 (0)1785 879 050
Support: +44 (0)1785 879 050

Unit A5 Douglas Park
Stone Business Park
Stone
ST15 0YJ
United Kingdom

VAT Number: 120 9546 28
Business Registration Number: 07699660