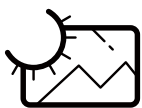


**DS SERIES**

# DS552LT4-M

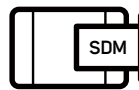
55" Fanless High Brightness Digital Signage Display  
Intel® SDM Ready



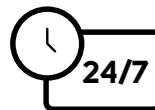
SUNLIGHT  
VIEWABLE IMAGE



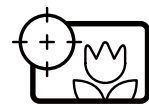
FANLESS



INTEL® SMART  
DISPLAY MODULE  
COMPATIBLE



24 / 7  
OPERATION



TRUECOLOR™  
CALIBRATED

**FOR MORE INFORMATION**

For more information about DynaScan, visit our site at [www.dynascandisplay.com](http://www.dynascandisplay.com). Copyright © DynaScan Technology Inc. All rights reserved. All specifications and descriptions are subject to change without notice. Reproduction without permission is prohibited.

**DynaScan**

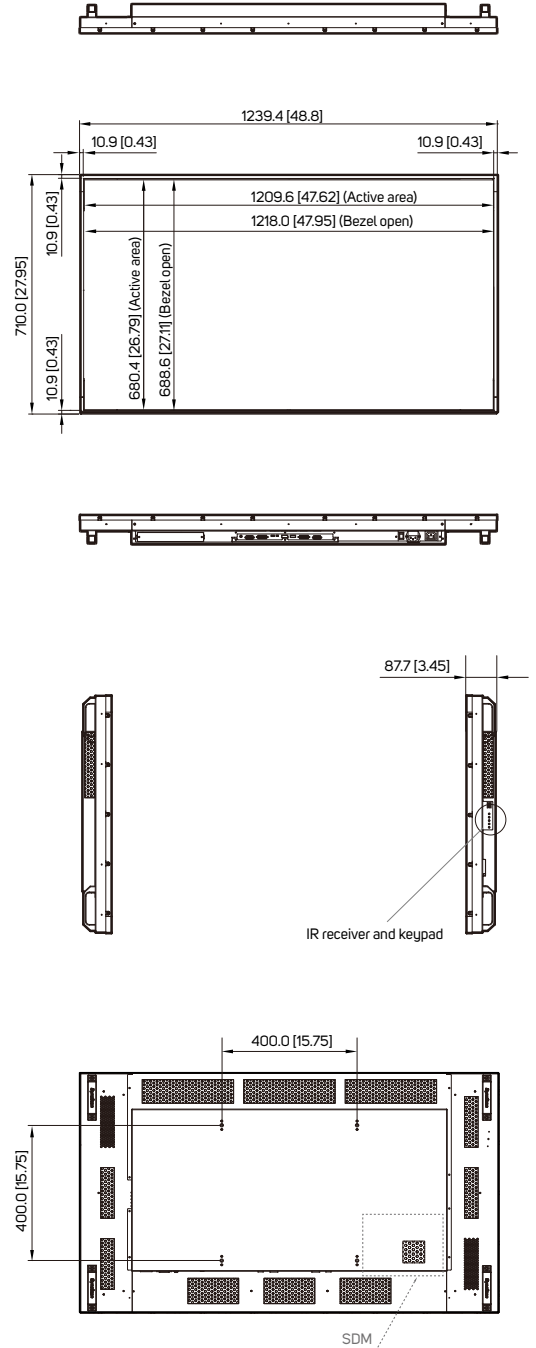
V100

## SPECIFICATION

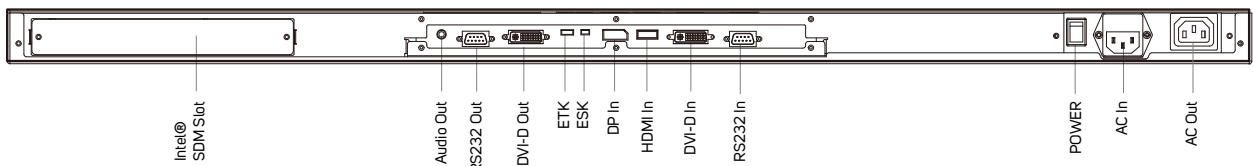
|                                      |                                |                                                                 |
|--------------------------------------|--------------------------------|-----------------------------------------------------------------|
| <b>MODEL</b>                         | DS552LT4-M                     |                                                                 |
| <b>PANEL</b>                         | LCD Panel Size                 | 54.64 inches LCD                                                |
|                                      | Native Resolution              | 1920 x 1080                                                     |
|                                      | Backlight                      | LED                                                             |
|                                      | Default Color Temperature      | D65 (6500 K)                                                    |
|                                      | Brightness                     | 3500 nits                                                       |
|                                      | Color Depth                    | 8 bits                                                          |
|                                      | Contrast Ratio                 | 3000:1                                                          |
|                                      | Response Time                  | 9 ms (Typ.)                                                     |
|                                      | Viewing Angle (H/V)            | 178° / 178°                                                     |
|                                      | Light Life Time (Typ.)         | 100,000 hrs                                                     |
| <b>POWER</b>                         | Panel Surface                  | AR, 2H                                                          |
|                                      | Blackening Defect Free         | Up to 110°C (230°F)                                             |
|                                      | Viewable With Polarized Lenses | Yes                                                             |
|                                      | Power Supply                   | Internal                                                        |
|                                      | Rated Voltage                  | 100-240V ~ 50/60Hz                                              |
|                                      | Power On Mode (Typ./ Max.)     | 170 W / 290 W                                                   |
|                                      | Power Saving Mode              | < 1W                                                            |
|                                      | AC out                         | < 100 W                                                         |
|                                      | Bezel Width (T/B/L/R)          | Even bezel 10.9 mm                                              |
|                                      | Cabinet Color                  | Black                                                           |
| <b>MECHANICAL SPECS</b>              | Monitor Dimension (LxHxD)      | 1239.4 x 710.0 x 87.7 mm                                        |
|                                      | Monitor Weight                 | 27.5 kg                                                         |
|                                      | Orientation                    | Portrait / Landscape                                            |
|                                      | VESA Mounting (LxH)            | 400 x 400 mm                                                    |
|                                      | Carrying Handles               | Yes                                                             |
|                                      | Fanless Design                 | Yes                                                             |
|                                      | Language                       | English                                                         |
|                                      | Built-in Video Wall Support    | Up to 15x15                                                     |
|                                      | Support SNMP (Up to V3.0)      | Yes                                                             |
|                                      | Dimming Control                | Yes                                                             |
| <b>USER INTERFACE</b>                | Image Retention Protection     | Yes                                                             |
|                                      | Auto Orientation Sensor        | Yes                                                             |
|                                      | Ambient Light Sensor           | Yes                                                             |
|                                      | Power On/Off Scheduling        | Yes                                                             |
|                                      | Internal Temperature Sensor    | Yes                                                             |
| <b>EXPANSION SLOT FOR INTEL® SDM</b> | OSD Menu Rotation              | Yes                                                             |
|                                      | SDM Slot                       | SDM-S (support with DynaScan extended board) & SDM-L Compatible |
|                                      | Power Support                  | Up to 45 W                                                      |
| <b>INPUT</b>                         | HDMI                           | x1 (1080p)                                                      |
|                                      | DVI-D                          | x1                                                              |
| <b>OUTPUT</b>                        | DisplayPort                    | x1                                                              |
|                                      | DVI-D                          | x1                                                              |
| <b>EXTERNAL CONTROL</b>              | Audio                          | x1                                                              |
|                                      | RS-232                         | In x1, Out x1                                                   |
| <b>ENVIRONMENT</b>                   | Operating Temperature          | 0° C ~ 45° C                                                    |
|                                      | Storage Temperature            | -20° C ~ 60° C                                                  |
|                                      | Humidity                       | 10% ~ 80% RH Non-condensing                                     |
| <b>CERTIFICATION</b>                 | CE / FCC / RoHS                |                                                                 |

## DIMENSIONS

Unit: mm [inch]



## INTERFACE



**DynaScan**

## Assured Systems

Assured Systems is a leading technology company with over 1,500 regular clients in 80 countries, deploying over 85,000 systems to a diverse customer base in 12 years of business. We offer high-quality and innovative rugged computing, display, networking and data collection solutions to the embedded, industrial, and digital-out-of-home market sectors.

### US

[sales@assured-systems.com](mailto:sales@assured-systems.com)

Sales: +1 347 719 4508

Support: +1 347 719 4508

1309 Coffeen Ave  
Ste 1200  
Sheridan  
WY 82801  
USA

### EMEA

[sales@assured-systems.com](mailto:sales@assured-systems.com)

Sales: +44 (0)1785 879 050

Support: +44 (0)1785 879 050

Unit A5 Douglas Park  
Stone Business Park  
Stone  
ST15 0YJ  
United Kingdom

VAT Number: 120 9546 28

Business Registration Number: 07699660