



**Intel Atom® E3800 Series
10.1" Industrial Tablet PC**

RPC101-BT

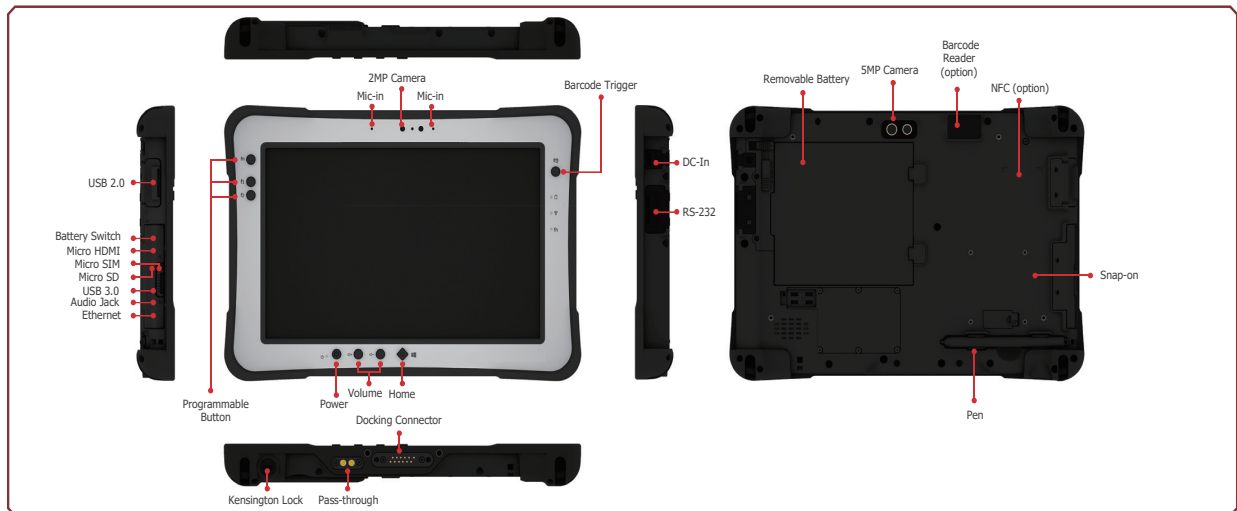


► Features

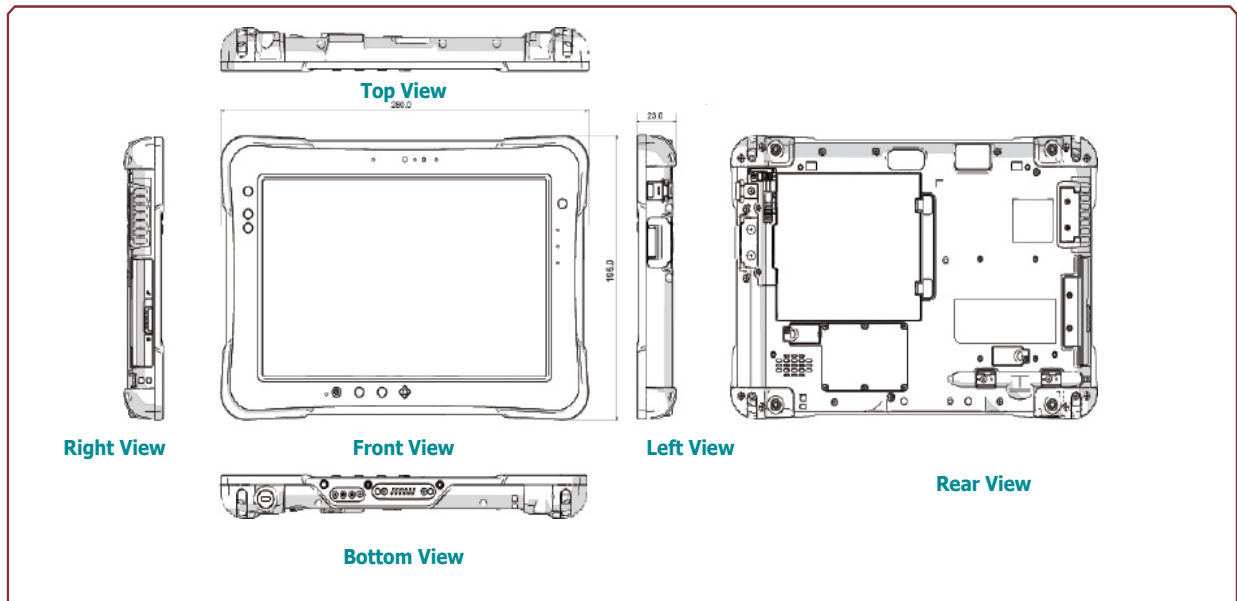
- IP65, MIL-STD-810G, 5-foot drop resistance
- 1000 nits sunlight readable display
- Capacitive touch supports glove touch, 2mm hard tip stylus; digitizer by request
- GNSS, Wi-Fi, Bluetooth and optional 4G LTE
- Hot swappable battery design
- Optional fingerprint and MRZ reader
- Dual pass-through connector for WLAN, GNSS, WWAN



► I/O Connectors



► Dimensions





Specifications

SYSTEM	Processor	Intel Atom® E3827 Processor 1.75GHz
	Memory	4GB/8GB DDR3L Onboard
DISPLAY AND TOUCH SCREEN	Display	10.1" WUXGA (1920 x 1200) TFT LCD, Multiple Capacitive Touch with Gorilla Glass
	Brightness	1000 cd/m ²
	Sensor	Accelerometer Sensor E-Compass Sensor Gyroscope Sensor
STORAGE	SSD	128GB/256GB mSATA SSD 32GB mSATA SSD (support Android OS only)
COMMUNICATION	Wireless	Wi-Fi 802.11 a/b/g/n/ac Bluetooth V4.0+EDR GNSS (GPS/GLONASS, BeiDou)
		4G LTE (optional) NFC RFID 13.56MHz (optional)
CAMERA	Rear Camera	5.0 Mega Pixels, Auto Focus, LED Flash Light
	Front Camera	2.0 Mega Pixels
AUDIO	Internal	2 x 0.8W Speaker
LED	Indicator	1 x Red/Green LED for Power and System Status 1 x Blue LED for NFC RFID
I/O	External	1 x microSD 1 x micro SIM 1 x micro HDMI 1 x Earphone & Mic 1 x USB 2.0 Type A 1 x USB 3.0 Type A 1 x RJ-232 1 x GbE (RJ-45) 2 x RF Pass-through Connector for WLAN/ GNSS/ WWAN 1 x Docking Connector (12-pin) 1 x DC Jack NFC + Smart Card Reader 2-in-1 Module (optional) Built-in 2D Barcode Reader (optional)
		Buttons
SECURITY	TPM	TPM 1.2 Janus USB Ignition Key, Phoenix SecureWipe (optional)
POWER	AC/DC Adapter	100~240V AC 50/60Hz 0.8A
	Battery	4500mAh (standard Hot Swappable Battery) 9000mAh (optional Hot Swappable Battery)
OS SUPPORT		Windows 7 Windows 10 IoT Enterprise
		Android 5.1 (optional)
MECHANISM	IP Rating	IP65 Protection
	Dimensions (W x H x D)	280mm x 195mm x 230mm (11" x 7.7" x 0.9")
	Weight	1330 g
ENVIRONMENT	Operating Temperature	-20 to 50°C
	Storage Temperature	-30 to 70°C
	Charging Temperature	0 to 40°C
	Relative Humidity	5 to 95% RH (non-condensing)
STANDARDS AND CERTIFICATIONS	Drop	5ft Drop Tested
	Certification	CE, FCC, MIL-STD-810G

Packing List

• 1 RPC101-BT Tablet
• 1 Power Adapter
• 1 Hand Strap
• 1 Shoulder Strap
• 1 Handle
• 1 Stylus

Assured Systems

Assured Systems is a leading technology company with over 1,500 regular clients in 80 countries, deploying over 85,000 systems to a diverse customer base in 12 years of business. We offer high-quality and innovative rugged computing, display, networking and data collection solutions to the embedded, industrial, and digital-out-of-home market sectors.

US

sales@assured-systems.com

Sales: +1 347 719 4508
Support: +1 347 719 4508

1309 Coffeen Ave
Ste 1200
Sheridan
WY 82801
USA

EMEA

sales@assured-systems.com

Sales: +44 (0)1785 879 050
Support: +44 (0)1785 879 050

Unit A5 Douglas Park
Stone Business Park
Stone
ST15 0YJ
United Kingdom

VAT Number: 120 9546 28
Business Registration Number: 07699660