



www.transcend-info.com

## Embedded Solutions



### PCIe M.2 SSDs

# MTE370T

Transcend's M.2 2230 SSD MTE370T features state-of-the-art 3D NAND technology, which allows 112 layers of 3D NAND flash chips to be vertically stacked. This density breakthrough greatly improves storage efficiency. The MTE370T features the PCI Express (PCIe) Gen 3 x4 interface and is compatible with NVMe Express (NVMe) 1.3 specifications to achieve never-before-seen transfer speeds. Applied with the 30μ" gold finger PCB and Corner Bond technology, the MTE370T is fully tested in-house to guarantee reliability in mission-critical applications, boasting an endurance rating of 3K Program/Erase cycles and an extended operating temperature ranging from -20°C~75°C.

### Hardware Features

- Compliant with RoHS 2.0 standards
- Compliant with NVMe Express specification 1.3
- Compliant with PCI Express specification 3.1
- Space-saving M.2 form factor (30mm) – ideal for mobile computing devices
- Single-sided to fit perfectly in small form factor devices

### Firmware Features

- Supports NVMe command
- SLC caching technology
- Dynamic thermal throttling
- Built-in LDPC ECC (Error Correction Code) functionality
- Advanced Garbage Collection

### Ordering Information

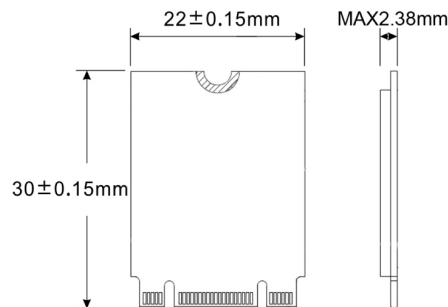
256GB TS256GMTE370T

512GB TS512GMTE370T

## Specifications

<b>Appearance</b>	Dimensions	30 mm x 22 mm x 2.38 mm (1.18" x 0.87" x 0.08")
	Weight	4 g (0.14 oz)
	Form Factor	M.2
	M.2 Type	2230-S2-M
<b>Interface</b>	Bus Interface	NVMe PCIe Gen3 x4
<b>Storage</b>	Flash Type	112-layer 3D NAND flash
	Capacity	256 GB / 512 GB
<b>Operating Environment</b>	Operating Voltage	3.3V±5%
	Operating Temperature	Extended Temp. -20°C (-4°F) ~ 75°C (185°F)
	Storage Temperature	-55°C (-67°F) ~ 75°C (167°F)
	Humidity	5% ~ 95%
	Shock	1500 G, 0.5 ms, 3 axis
<b>Power</b>	Vibration (Operating)	20 G (peak-to-peak), 7 Hz ~ 2000 Hz (frequency)
	Power Consumption (Operation)	3.3 watt(s)
<b>Performance</b>	Power Consumption (IDLE)	0.4 watt(s)
	Sequential Read/Write (CrystalDiskMark)	Read: up to 2,000 MB/s Write: up to 1,100 MB/s
	4K Random Read/Write (IOMeter)	Read: up to 90,000 IOPS Write: up to 220,000 IOPS
	Mean Time Between Failures (MTBF)	3,000,000 hour(s)
	Terabytes Written (TBW)	up to 480 TBW
<b>Warranty</b>	Drive Writes Per Day (DWPD)	2.0 (3 yrs)
	Certificate	CE / FCC / BSMI / UKCA
	Warranty	Three-year Limited Warranty

## Mechanical Dimensions



Product specifications are subject to change without notice. Pictures shown may differ from actual products. Total accessible capacity varies depending on operating environment. Due to the complexity and variety of industrial applications, Transcend cannot guarantee 100% compatibility with all platforms and under all scenarios. For special applications and environments, it is strongly suggested that you contact Transcend beforehand for clarification.

## Assured Systems

Assured Systems is a leading technology company with over 1,500 regular clients in 80 countries, deploying over 85,000 systems to a diverse customer base in 12 years of business. We offer high-quality and innovative rugged computing, display, networking and data collection solutions to the embedded, industrial, and digital-out-of-home market sectors.

### US

[sales@assured-systems.com](mailto:sales@assured-systems.com)

Sales: +1 347 719 4508  
Support: +1 347 719 4508

1309 Coffeen Ave  
Ste 1200  
Sheridan  
WY 82801  
USA

### EMEA

[sales@assured-systems.com](mailto:sales@assured-systems.com)

Sales: +44 (0)1785 879 050  
Support: +44 (0)1785 879 050

Unit A5 Douglas Park  
Stone Business Park  
Stone  
ST15 0YJ  
United Kingdom

VAT Number: 120 9546 28  
Business Registration Number: 07699660