



www.transcend-info.com

Embedded Solutions

2.5" SATA SSDs SSD910T



Introducing Transcend's SSD910T 2.5" Enterprise SSD, designed for large data centers and high-performance servers. With high-quality 3D NAND flash, a SATA III 6Gb/s interface, and a DRAM cache, it delivers rapid transfer speeds for handling massive data loads. Experience high Quality of Service (QoS), ultra-low latency, and optimal endurance, resulting in incredibly fast loading times. The integrated Power Loss Protection (PLP) ensures data integrity, even during power fluctuations. Upgrade to Transcend's SSD910T for unmatched performance in web servers and media streaming applications.

Hardware Features

- DRAM Cache embedded
- High-quality 3D NAND flash
- Power Loss Protection (PLP) to prevent data loss in the event of sudden power outage
- Compliant with RoHS standards

Firmware Features

- Supports S.M.A.R.T. function to conduct health monitoring, analysis, and reporting for storage devices
- Early Move
- Advanced Garbage Collection
- Advanced Global Wear-Leveling and Block management for reliability
- Built-in ECC (Error Correction Code) functionality

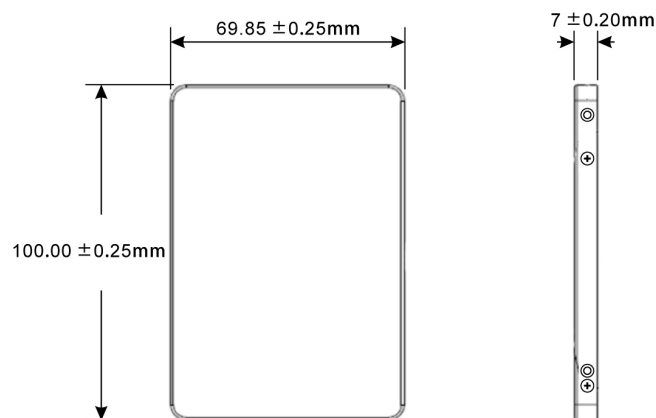
Ordering Information

| | |
|-------|---------------|
| 240GB | TS240GSSD910T |
| 480GB | TS480GSSD910T |
| 960GB | TS960GSSD910T |

Specifications

| | | |
|------------------------------|-----------------------------------|--|
| Appearance | Dimensions | 100 mm x 69.85 mm x 7 mm (3.94" x 2.75" x 0.28") |
| | Form Factor | 2.5" |
| Interface | Bus Interface | SATA III 6Gb/s |
| Storage | Capacity | 240 GB / 480 GB / 960 GB |
| | Flash Type | 3D NAND flash |
| Operating Environment | Operating Voltage | 5V±5% |
| | Operating Temperature | Standard Temp. 0°C (32°F) ~ 70°C (158°F) |
| | Storage Temperature | -40°C (-40°F) ~ 85°C (185°F) |
| | Humidity | 0% ~ 90% |
| | Shock | 1500 G, 0.5 ms, 3 axis |
| | Vibration (Operating) | 20 G (peak-to-peak), 80 Hz ~ 2000 Hz (frequency) |
| Power | Power Consumption (Operation) | 2.9 watt(s) |
| | Power Consumption (Sleep) | 1.3 watt(s) |
| Performance | Read Speed (Max.) | up to 390 MB/s |
| | Write Speed (Max.) | up to 448 MB/s |
| | Sequential Read/Write | Read: up to 390 MB/s Write: up to 448 MB/s |
| | 4K Random Read/Write | Read: up to 9,578 IOPS Write: up to 45,100 IOPS |
| | Quality of Service (QoS) | 99% |
| | | Read: 137us Write: 31.36us 99.9% |
| | Latency (4K, QD=1) | Read: 190us Write: 42.752us |
| | | Read: 101.2us Write: 18.667us |
| | Mean Time Between Failures (MTBF) | 2,000,000 hour(s) |
| | Terabytes Written (TBW) | up to 1320 TBW |
| Drive Writes Per Day (DWPD) | 3.01 (5 yrs) | |
| Warranty | Certificate | CE / UKCA / FCC / BSMI |
| | Warranty | Five-year Limited Warranty |

Mechanical Dimensions



Product specifications are subject to change without notice. Pictures shown may differ from actual products. Total accessible capacity varies depending on operating environment. Due to the complexity and variety of industrial applications, Transcend cannot guarantee 100% compatibility with all platforms and under all scenarios. For special applications and environments, it is strongly suggested that you contact Transcend beforehand for clarification.

Assured Systems

Assured Systems is a leading technology company with over 1,500 regular clients in 80 countries, deploying over 85,000 systems to a diverse customer base in 12 years of business. We offer high-quality and innovative rugged computing, display, networking and data collection solutions to the embedded, industrial, and digital-out-of-home market sectors.

US

sales@assured-systems.com

Sales: +1 347 719 4508
Support: +1 347 719 4508

1309 Coffeen Ave
Ste 1200
Sheridan
WY 82801
USA

EMEA

sales@assured-systems.com

Sales: +44 (0)1785 879 050
Support: +44 (0)1785 879 050

Unit A5 Douglas Park
Stone Business Park
Stone
ST15 0YJ
United Kingdom

VAT Number: 120 9546 28
Business Registration Number: 07699660