

VMC 1100

7" All-In-One Vehicle Computer
with Touch Screen and Multifunctional Tracker



Main Features

- 7" WVGA TFT LCD Monitor with resistive touch screen
- Built-in Intel Atom® Dual Core E3825 1.33GHz
- Compact and fanless design
- On screen programmable F1 ~ F5 function keys
- Support GPS/WWAN tracker function for car-safety
- RFID for ID identification
- Built-in GPS (Option: Dead Reckoning Support)
- GPS/WLAN/WWAN for wireless communication
- Dual CAN bus 2.0B and optional OBDII (SAE J1939) for car diagnostic
- Wide Range DC input from 9 ~ 36V
- Military standard for vibration and shock
- SAE J1113, ISO7637-2 and SAE J1455 conformity for power design
- CE/FCC/EMark

Product Overview

VMC 1100, a new generation 7-inch vehicle mount computer with dual core Intel Atom® processor, is designed for transportation and harbor applications requiring real-time vehicle tracking and job-dispatching. For real-time communication between driver and central control room, VMC 1100 provides the capability of wireless connection from GPS, WLAN to WWAN. To get more data from accessories, it offers RS-232, RS-485, USB 2.0, GPIO, and LAN connection. Dual CANBus 2.0B (OBDII and J1939 protocol), analog input and PWM are able to help to receive car status more quickly and correctly. Due to the unique features above, VMC 1100 is perfect to be used in harbor application from container truck, forklift, container stacker...

Specifications

General

- Cooling system: fanless
- Enclosure: plastic PC + ABS with aluminum die casting heatsink
- Mounting: support VESA 75, stand mounting
- Four SMA type antenna connectors of BT/Wi-Fi/WWAN/GPS
- Power input: 9 ~ 36VDC input with Ignition
- Power consumption: 26W
- Ingress protection: front panel IP54
- Dimension: 213mm (W) x 145mm (H) x 50mm (D)(8.3" x 5.7" x 1.9")
- Weight:
 - N.W: 1.3kg
 - G.W: 1.6kg

LCD Panel

- 7-inch TFT LCD panel with LED backlight
- 800 x 480 pixels (WVGA)
- Brightness: 400 cd/m² (typical)
- Contrast ratio: 600:1 (typical)

Touch Screen Sensor

- 4-wire resistant touch
- Anti-glare coating surface
- Transmission rate: 78 ± 3%

CPU & Chipset

- Intel Atom® Dual Core E3825 1.33GHz

Memory

- One 204-pin DDR3L 1600MHz SO-DIMM slot (up to 4GB)
 - Default 2GB

Expandable Storage

- 1 x SATAIII SATA DOM slot (available option 16GB/32GB/64GB)

Expansion

- 1 x Half mini-PCIe socket (PCIe + USB) for WLAN option
- 1 x mini-PCIe socket ((USB + UART) for WWAN option)
- 1 x External module for OBD/RFID module option (UART + USB)

I/O Interface-Front

- F1 ~ F5 functions key
- Light sensor
- Internal Mic-in
- 2 x Built-in 2W speakers
- 3 x LED indicators (power mode, Storage and WWAN status)

I/O Interface-Lateral

- Right side
 - 1 x Micro SD card socket
 - 1 x SIM card socket
 - 1 x USB 3.0 host type A connector
 - 1 x Mic-in, Line-out
- Left side
 - 1 x Power button
 - 1 x System reset button
 - Volume up/down or brightness up/down

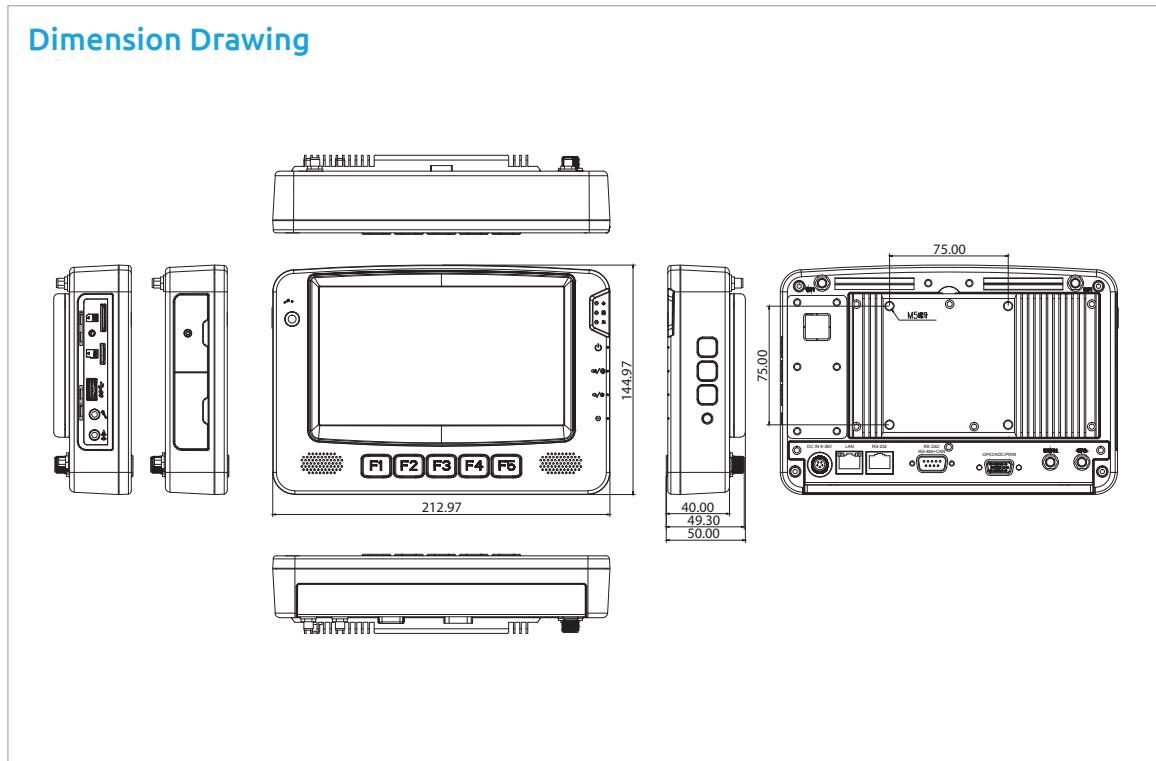
I/O Interface-Rear

- 1 x 5-Pin circular connector for power/ignition input

www.nexcom.com



Dimension Drawing



- 1 x RJ45 for LAN
- 1 x RJ45 for Full RS-232 with 0V/5V/12V power supply (0.5A)
- 1 x DB9 (male) for
 - RX/TX or RS-485
 - 2 x CAN Bus 2.0
- 1 x DB15 (female) for
 - GPS dead reckoning interface (optional)
 - 2 x PWM, 2 x Analog Input, 2 x GPO and 2 x GPI
 Analog input requirement for voltages are measured
 Channel: 2
 Voltage range: 0~ 38V
 Resolution: 8 bit
 Input requirement for frequency, speed
 Square wave
 Channel: 2
 Frequency signal offset voltage range: 0~15VDC, 1Hz~5KHz
 Protection: ±500V spike
 Frequency signal duty cycle range: 10%~90%

Communication Module

- 1 x u-blox NEO-M8N module (support GPS/Gloness/QZSS/Galileo/Beidou)
- 1 x WLAN or Bluetooth module for optional
- 1 x WWAN module for optional

Power Management

- Selectable boot-up & shut-down voltage for low power protection
- HW design ready for 8-level delay time on/off at user's self configuration
- Power on/off ignition, software detectable
- Support S3 and S4 suspend mode; wake on RTC and SMS

Operating System

- Windows 10
- Windows 8 Professional, WES8
- Windows 7, WES7
- Linux Fedora (kernel V3.2.0)

Environment

- Operating temperatures: ambient with air -20°C to 60°C
- Storage temperatures: -30°C to 80°C
- Relative humidity: 10% to 95% (non-condensing)
- Vibration (random): 3g @5 ~ 500Hz
- Vibration
 - Operating: MIL-STD-810G, 514.6 Procedure 1, Category 4
 - Storage: MIL-STD-810G, 514.6 Procedure 1, Category 24
- Shock
 - Operating: MIL-STD-810G, Method 516.6, Procedure I, trucks and semi-trailers=20g
 - Crash hazard: MIL-STD-810G, Method 516.6, Procedure V, ground equipment=75g

Power Design & Protection

- Load dump and inductive load protection
- Cold cranking protection
- Transient voltage protection
- Electrostatic discharge protection

Standards/Certifications

- EMC
 - CE, FCC class B, E-Mark
- Power
 - SAE J1113
 - SAE J1455
 - ISO 7637-2
- Safety
 - EN 60950-1 LVD

Ordering Information

- **VMC 1100 (P/N: 10VC0110000X0)**
7" all-in-one vehicle computer with touch screen and multifunctional tracker and Intel Atom® dual core E3825 1.33GHz processor with 2GB DDR3L, GPS module and GPS antenna
- **Bundle Accessories**
External power cable (13cm), Driver CD

Assured Systems

Assured Systems is a leading technology company with over 1,500 regular clients in 80 countries, deploying over 85,000 systems to a diverse customer base in 12 years of business. We offer high-quality and innovative rugged computing, display, networking and data collection solutions to the embedded, industrial, and digital-out-of-home market sectors.

US

sales@assured-systems.com

Sales: +1 347 719 4508
Support: +1 347 719 4508

1309 Coffeen Ave
Ste 1200
Sheridan
WY 82801
USA

EMEA

sales@assured-systems.com

Sales: +44 (0)1785 879 050
Support: +44 (0)1785 879 050

Unit A5 Douglas Park
Stone Business Park
Stone
ST15 0YJ
United Kingdom

VAT Number: 120 9546 28
Business Registration Number: 07699660