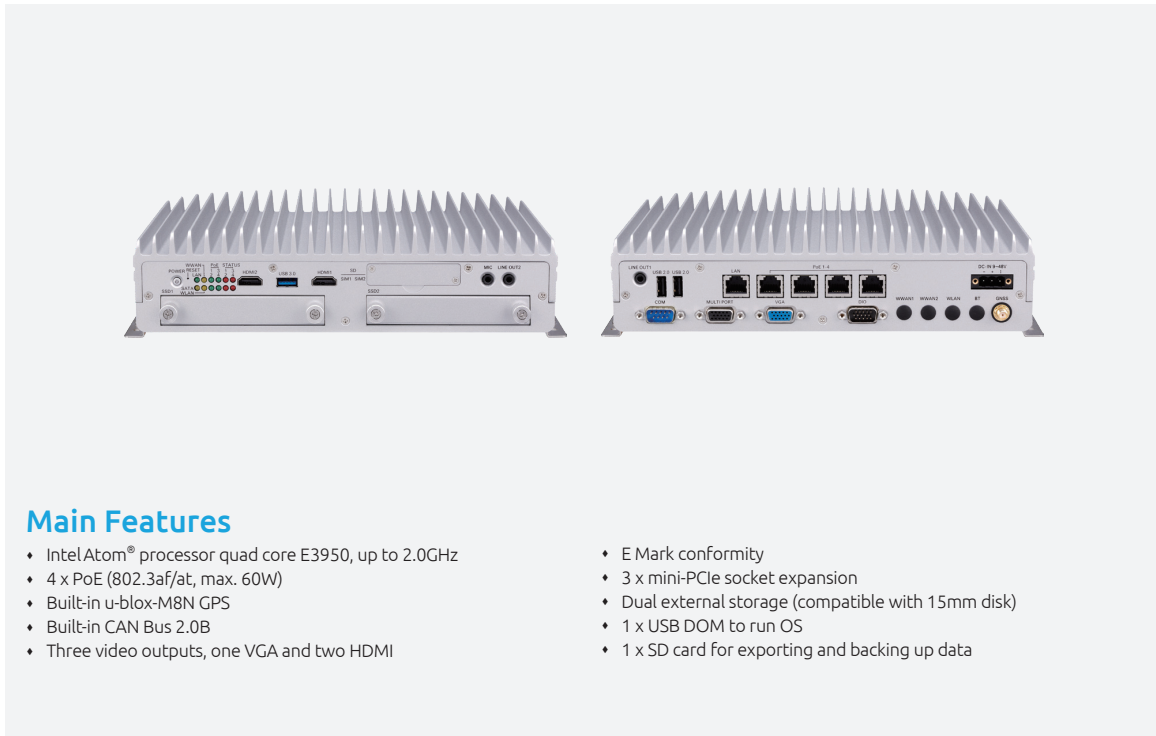


VTC 6222

Fanless 4-CH PoE In-Vehicle Computer
with Intel Atom® E3950



Main Features

- Intel Atom® processor quad core E3950, up to 2.0GHz
- 4 x PoE (802.3af/at, max. 60W)
- Built-in u-blox-M8N GPS
- Built-in CAN Bus 2.0B
- Three video outputs, one VGA and two HDMI
- E Mark conformity
- 3 x mini-PCIe socket expansion
- Dual external storage (compatible with 15mm disk)
- 1 x USB DOM to run OS
- 1 x SD card for exporting and backing up data

Product Overview

VTC 6222, based on Intel Atom® quad core processor E3950 (up to 2.0GHz), is specifically comply with stringent E mark standard in rugged, fanless and compact mechanism. VTC 6222 provides complete communication capability between vehicle and computer with build-in CAN BUS 2.0B interface. Equipped with intelligent power management, VTC 6222 can be waked on by ignition, RTC timer or SMS message remotely. VTC 6222 supports 4 x 802.3at/3af (max. 60W) PoE ports to connect with IP cameras. The design of 2.5" removable SSD and SD memory card helps to access storage easily. VT C6222 keeps the flexibility to meet the demand for video surveillance in vehicle application.

Specifications

CPU

- Intel Atom® processor quad core E3950, up to 2.0GHz, 12W, 4 core

Memory

- 1 x 204-pin DDR3L SO-DIMM socket support 1866MHz up to 8GB. Default 4GB

Video Output

- Chipset Intel® HD graphics 505
- 2 x HDMI 1.4b up to 4096 x 2160 @30Hz
- 1 x VGA up to 1920 x 1200 @60Hz

Storage

- 2 x 2.5" SSD/HDD SATA 3.0 (compatible with 15mm drive)
- 1 x SD memory card 3.0 (externally accessible)
- 1x USB EDC for USB DOM

Expansion

- 1 x Full size mini-PCIe socket (USB 2.0), BOM optional M.2 3042 key B (USB 2.0 + USB 3.0) with 2 x external SIM
- 1 x Full size mini-PCIe socket (USB 2.0 + PCIe 2.0)
- 1 x Half size mini-PCIe socket (USB 2.0 + PCIe 2.0)

GNSS and On Board Sensor

- 1 x Default U-blox NEO-M8N GNSS for GPS/Glonass/QZSS/Galileo/Beidou
- G Sensor (3-axis, 10-bit resolution)
- TPM 2.0 (optional)

LAN and Power over Ethernet

- 4-Port LAN, 10/100/1000 Mbps I210-IT GbE, PoE 802.3af/at, max. 60W
- 1-Port LAN, 10/100/1000 Mbps I210-IT GbE

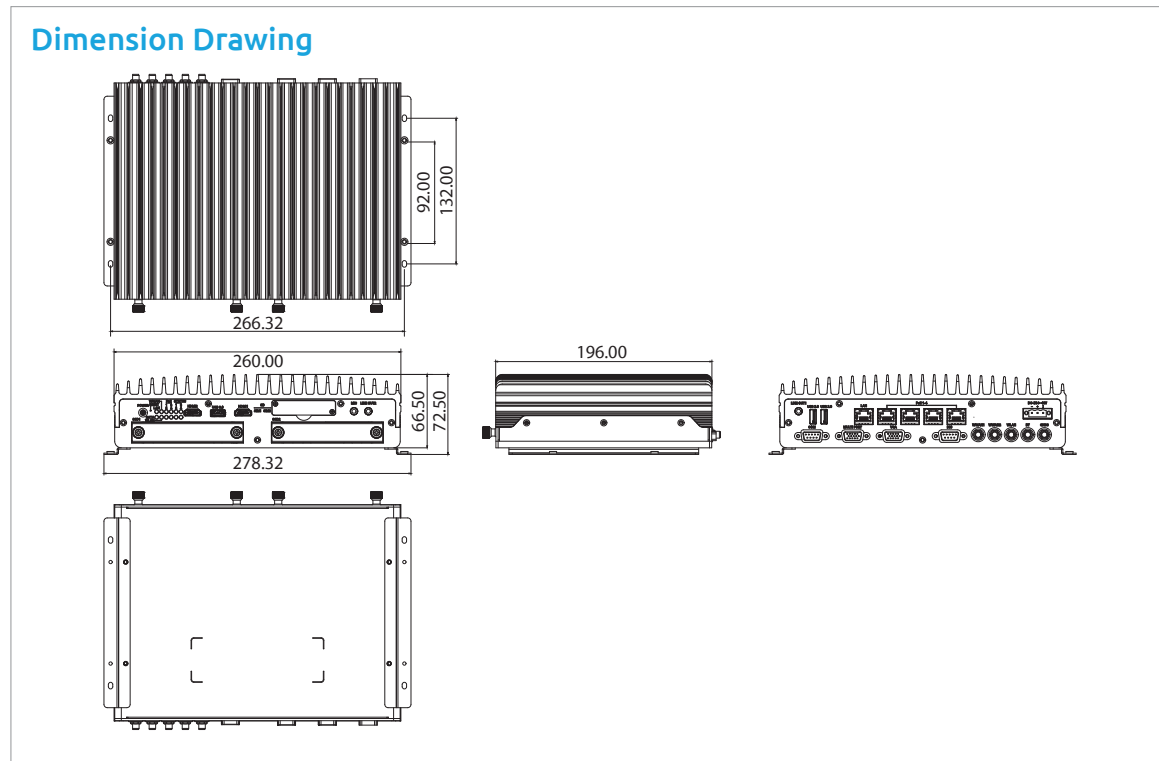
I/O Interface-Front

- 12 x LED indicators (including 3 x programmable LED)
- 2 x Externally accessible SIM card socket with cover
- 2 x 2.5" removable SSD tray
- 1 x Externally accessible SD card socket with cover
- 1 x Reset button
- 1 x Power button
- 1 x USB 3.0 type A (5V/0.9A)
- 2 x HDMI 1.4b
- 1 x Mic-in, 1 x Line-out

I/O Interface-Rear

- 1 x 3-pin terminal block for 9V~48V DC
- 1 x RJ45 10/100/1000 Mbps
- 4 x PoE 802.3af/at (max. 60W)
- 1 x VGA
- 1 x DB9 Full RS232
- 4 x SMA antenna
- 2 x USB 2.0 type A (5V/0.5A)
- 1 x Line-out
- 1 x DB15 (DIO)
 - 4 x DI with isolation
 - 4 x DO with isolation

www.nexcom.com



- Vin, GND for GPIO
- 1 x DB15 (MULTI PORT)
- 1 x RS422/RS485
- 1 x RS232 (TX/RX)
- 1 x CAN 2.0B
- 1 x 12VDC, 2A output (Vout, GND)

Power Management

- Power input 9~48 VDC
- Selectable boot-up & shut-down voltage for low power protection by software
- Setting 8-level power on/off delay time by software
- Support S3/S4 suspend mode
- 10~255 seconds WDT support, setup by software
- SDK (Windows/Linux) including utility and sample code

Operating System

- Windows 10/Linux

Dimensions

- 260mm (W) x 196mm (D) x 66.5mm (H)

Weight

- 3.2kg

Environment

- Operating temperatures:
 - -40°C to 70°C (w/ industrial SSD) with air flow

- Storage temperatures: -40°C to 80°C
- Relative humidity: 10% to 90% (non-condensing)
- Vibration (random)
 - 2g@5~500 Hz (in operation, SSD)
- Vibration (SSD)
 - Operating: MIL-STD-810G, Method 514.6, Category 4, common carrier US highway truck vibration exposure
 - Storage: MIL-STD-810G, Method 514.6, Category 24, minimum integrity test
- Shock (SSD)
 - Operating: MIL-STD-810G, Method 516.6, Procedure I, functional shock=40g
 - Non-operating: MIL-STD-810G, Method 516.6, Procedure V, crash hazard shock test=75g

Standards/Certifications

- CE
- FCC Class A
- E13 mark

Ordering Information

- **VTC 6222-C4S (P/N: 10V00622200X0)**
Intel Atom® processor E3950 up to 2.0GHz CPU, 4GB DDR3L SO-DIMM, DC input 9~48 VDC, 1 x VGA, 2 x HDMI, 1 x LAN, 4 x PoE, 2 x RS232, 1 x RS422/485, 8 x GPIO, 1 x USB 3.0, 2 x USB 2.0

Assured Systems

Assured Systems is a leading technology company with over 1,500 regular clients in 80 countries, deploying over 85,000 systems to a diverse customer base in 12 years of business. We offer high-quality and innovative rugged computing, display, networking and data collection solutions to the embedded, industrial, and digital-out-of-home market sectors.

US

sales@assured-systems.com

Sales: +1 347 719 4508
Support: +1 347 719 4508

1309 Coffeen Ave
Ste 1200
Sheridan
WY 82801
USA

EMEA

sales@assured-systems.com

Sales: +44 (0)1785 879 050
Support: +44 (0)1785 879 050

Unit A5 Douglas Park
Stone Business Park
Stone
ST15 0YJ
United Kingdom

VAT Number: 120 9546 28
Business Registration Number: 07699660