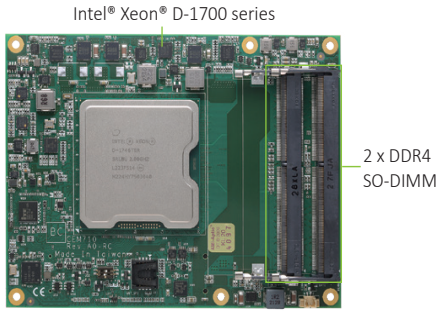
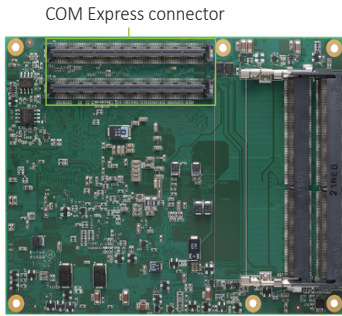


CEM710 NEW

COM Express Type 7 Basic Module with Intel® Xeon® D-1700 Series Processor



▲ Front view



▲ Rear view

Features

- Intel® Xeon® D-1700 series processor (Ice Lake D)
- 2 DDR4-2400 SO-DIMM for up to 64 GB memory
- 1 PCIe x16 Gen3 (PEG), 1 PCIe x8 Gen3, and 6 PCIe x1 Gen3
- 2 SATA Gen3
- 4 USB 3.0 and 4 USB 2.0
- 4 10GBase-KR
- Supports TPM 2.0



Specifications

Core System

CPU	Intel® Xeon® D-1712TR (4 x 2.0 GHz, 10MB cache, 50G Eth, 40W) Intel® Xeon® D-1715TER (4 x 2.4 GHz, 10MB cache, 50G Eth, 50W) Intel® Xeon® D-1732TE (8 x 1.9 GHz, 15MB cache, 50G Eth, 52W) Intel® Xeon® D-1735TR (8 x 2.2 GHz, 15MB cache, 50G Eth, 59W) Intel® Xeon® D-1746TER (10 x 2.0 GHz, 15MB cache, 100G Eth, 67W)
System Memory	2 x 260-pin DDR4-2400 SO-DIMM, up to 64GB with ECC support
Chipset	SoC integrated
BIOS	AMI uEFI (Legacy free)
Storage	N/A
Watchdog Timer	65536 levels, 0 to 65535 sec.
Expansion Interface	1 x PCIe x16 Gen3 (PEG) 1 x PCIe x8 Gen3 6 x PCIe x1 Gen3
Battery Lithium	N/A
Power Input	ATX: +12V, +5VSB AT: +12V

I/O

SATA	2 x SATA Gen3
Hardware Monitoring	Yes
Ethernet	1 x 10/100/1000/2500 Mbps with Intel® I226, configured through COMe PCIe port 7 4 x 10GBASE-KR with Intel® 10G external PHY
Audio	N/A
USB	4 x USB 3.0 4 x USB 2.0
Serial	2 x TX/RX
TPM	TPM 2.0
SMBus	Yes
Others	1 x I ² C 1 x LPC 1 x SPI
GPIO	4-CH in & 4-CH out
Smart Battery	N/A

Mechanical and Environmental

Dimensions	125 x 95 mm
Board Thickness	2.0 mm
Operating Temperature	Standard: 0°C to 60°C (32°F to 140°F) Extended: -40°C to 85°C (-40°F to 185°F) with system thermal solution
Humidity	10% to 95% relative humidity, non-condensing
Vibration Endurance	3.5 Grms

Packing List

Quick installation guide

Ordering Information

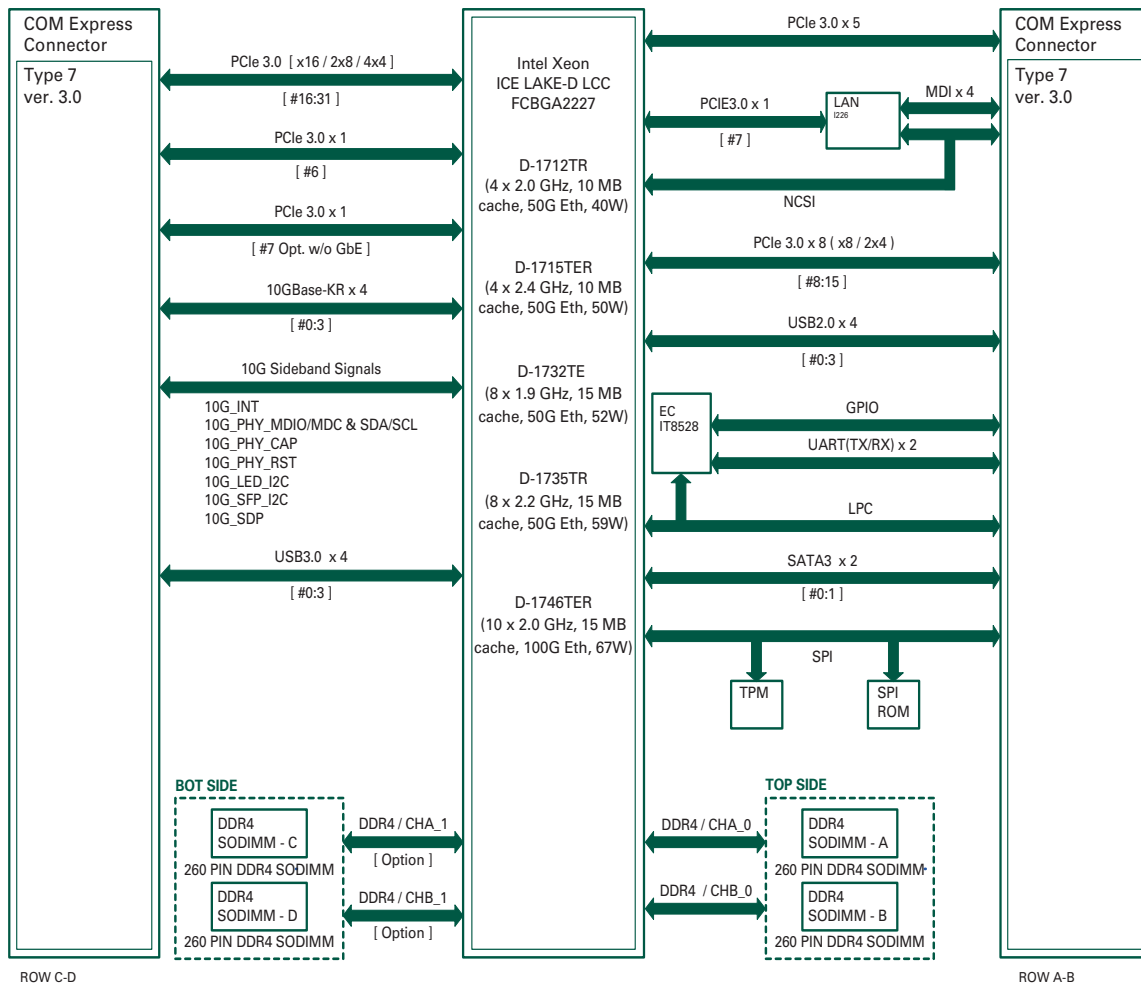
Standard

CEM710-D1712TR (P/N: TBD)	COM Express Type 7 basic module with Intel® Xeon® D-1712TR, 10GBASE-KR, USB 3.0, and TPM
CEM710-D1715TER (P/N: TBD)	COM Express Type 7 basic module with Intel® Xeon® D-1715TER, 10GBASE-KR, USB 3.0, and TPM
CEM710-D1732TE (P/N: TBD)	COM Express Type 7 basic module with Intel® Xeon® D-1732TE, 10GBASE-KR, USB 3.0, and TPM
CEM710-D1735TR (P/N: TBD)	COM Express Type 7 basic module with Intel® Xeon® D-1735TR, 10GBASE-KR, USB 3.0, and TPM
CEM710-D1746TER (P/N: TBD)	COM Express Type 7 basic module with Intel® Xeon® D-1746TER, 10GBASE-KR, USB 3.0, and TPM

Optional

CEB94701 (P/N: E394701100)	COM Express Type 7 development board
TBD	CEM710 heat pipe cooler
TBD	CEM710 heat spreader

Block Diagram



Assured Systems

Assured Systems is a leading technology company with over 1,500 regular clients in 80 countries, deploying over 85,000 systems to a diverse customer base in 12 years of business. We offer high-quality and innovative rugged computing, display, networking and data collection solutions to the embedded, industrial, and digital-out-of-home market sectors.

US

sales@assured-systems.com

Sales: +1 347 719 4508
Support: +1 347 719 4508

1309 Coffeen Ave
Ste 1200
Sheridan
WY 82801
USA

EMEA

sales@assured-systems.com

Sales: +44 (0)1785 879 050
Support: +44 (0)1785 879 050

Unit A5 Douglas Park
Stone Business Park
Stone
ST15 0YJ
United Kingdom

VAT Number: 120 9546 28
Business Registration Number: 07699660