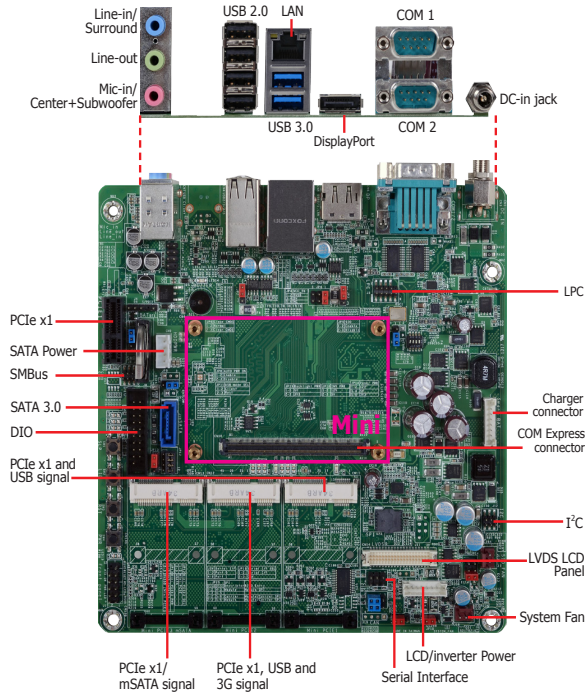




**COM Express Carrier Board**

**COM100-B**



**Features**

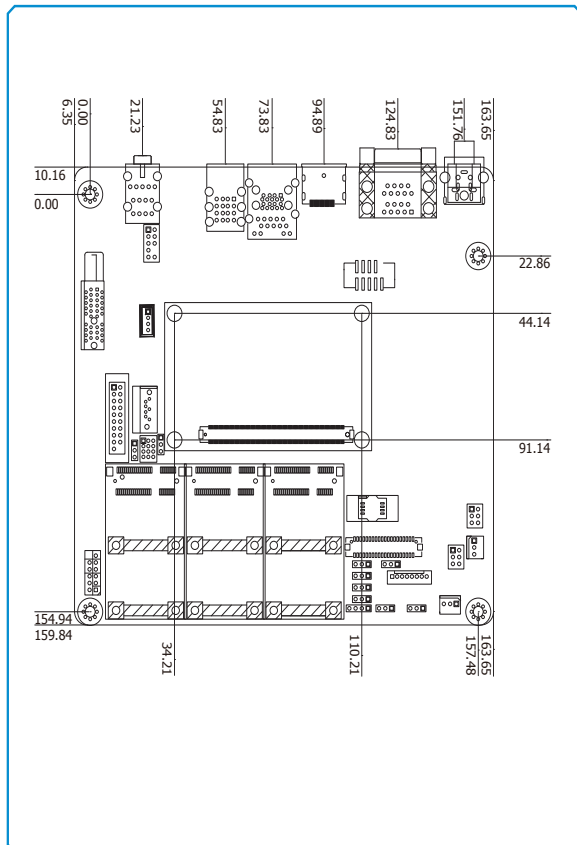
|                 |                                   |
|-----------------|-----------------------------------|
| EXPANSION       | 1 PCIe x1<br>3 Mini PCIe<br>1 SIM |
| DISPLAY OUTPUTS | 1 DisplayPort<br>1 LVDS           |
| LAN             | 1 LAN                             |
| COM             | 2 COM                             |
| USB             | 6 USB: 2 USB 3.0, 4 USB 2.0       |
| STORAGE         | 1 SATA 3.0                        |
| DIO             | 8-bit DIO                         |
| DIMENSIONS      | 170mm x 170mm (6.7" x 6.7")       |



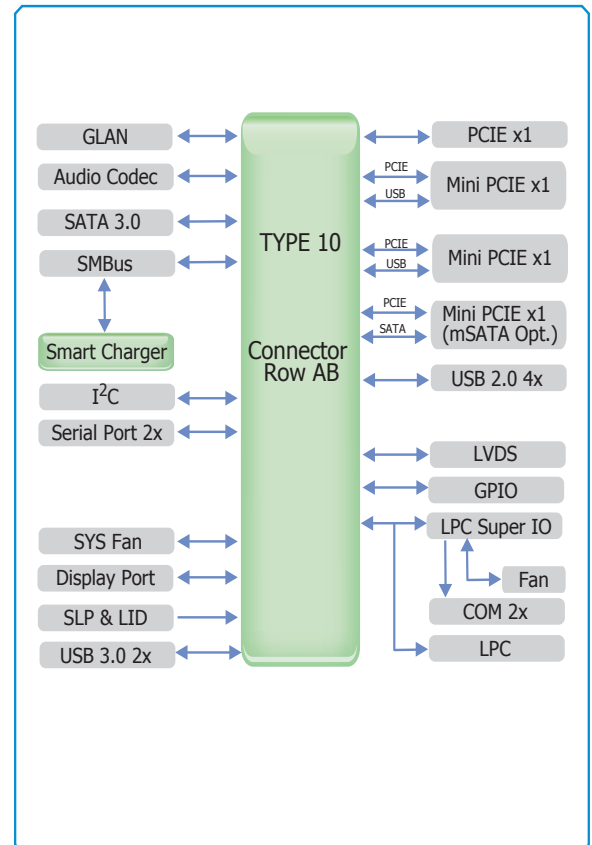
Supports Mini modules



**Mechanical Drawing**



**Block Diagram**



COM Express Carrier Board



# COM100-B

**Specifications** \* Optional and is not supported in standard model. Please contact your sales representative for more information.

**ONBOARD GRAPHICS FEATURES**

- Display ports
  - 1 DisplayPort
  - 1 24-bit single channel LVDS

**ONBOARD AUDIO FEATURES**

- Realtek ALC886 7.1-channel High Definition Audio
- Audio outputs: Mic-in/Center+Subwoofer, line-in/surround and line out
- S/PDIF audio interface

**ONBOARD USB FEATURES**

- 2 USB 3.0 ports
- 4 USB 2.0 ports

**STORAGE**

- 1 SATA 3.0 port with data transfer rate up to 6Gb/s

**DIGITAL I/O**

- 8-bit Digital I/O connector
  - 4-bit GPI (General Purpose Input)
  - 4-bit GPO (General Purpose Output)

**REAR PANEL I/O PORTS**

- 5V~19V DC-in jack
- 2 DB-9 RS232 serial ports
- 1 DisplayPort
- 1 RJ45 LAN port
- 2 USB 3.0 ports
- 4 USB 2.0 ports
- Line-in/Surround, Line out, Mic-in/Center+Subwoofer jacks

**I/O CONNECTORS**

- 1 serial interface for 2 serial ports (TX/RX)
- 1 LVDS LCD panel connector
- 1 LCD/inverter power connector
- 1 8-bit Digital I/O connector
- 1 front audio connector for line-out and mic-in jacks
- 1 S/PDIF connector
- 1 SATA 3.0 port
- 1 SATA power connector
- 1 Smart battery charger connector
- 1 LPC connector
- 1 I<sup>2</sup>C connector
- 1 SMBus connector
- 1 front panel connector
- 2 fan connectors

**EXPANSION SLOTS**

- 1 PCIe x1 slot (PCIe 2.0)
- 3 Mini PCIe slots (PCIe 2.0)
  - 1 slot supports PCIe and USB signals for 3G module
  - 1 slot supports PCIe and USB signals
  - 1 slot supports PCIe or mSATA signal
  - Supports half/full size Mini PCIe card
- 1 SIM card socket

**SUPPORTED COM EXPRESS MODULE**

- Mini form factor

**DAMAGE FREE INTELLIGENCE**

- Legacy Super I/O support\*
  - Monitors 5V/1.5V/12V/3.3V
  - Monitors SIO\_Fan

**ROM INTERFACE**

- 1 SPI interface
  - Supports up to 64Mbit

**TEMPERATURE**

- Operating: 0°C to 60°C
- Storage: -20°C to 85°C

**HUMIDITY**

- 10% to 90%

**POWER OUTPUT**

- 12V, 5VSB, VCC\_RTC (ATX mode)
- 12V, 5V, VCC\_RTC (AT mode)
- 12V, VCC\_RTC (AT mode)

**PCB**

- Dimensions
  - Mini-ITX form factor
  - 170mm (6.7") x 170mm (6.7")
- Compliance
  - PICMG COM Express® R2.1, Type 10

**CERTIFICATION**

- RoHS

**Packing List**

|                      |
|----------------------|
| • 1 COM100-B board   |
| • 1 SATA data cable  |
| • 1 SATA power cable |
| • 1 I/O shield       |
| • 1 DVD              |

**Optional Items**

|  |
|--|
| • SATA data cable                                      |
| • Serial ATA power cable                               |
| • I/O shield   |
| • Power adapter (120W, 19V, Level 6) : 671-110003-100G |

## Assured Systems

Assured Systems is a leading technology company with over 1,500 regular clients in 80 countries, deploying over 85,000 systems to a diverse customer base in 12 years of business. We offer high-quality and innovative rugged computing, display, networking and data collection solutions to the embedded, industrial, and digital-out-of-home market sectors.

### US

[sales@assured-systems.com](mailto:sales@assured-systems.com)

Sales: +1 347 719 4508

Support: +1 347 719 4508

1309 Coffeen Ave  
Ste 1200  
Sheridan  
WY 82801  
USA

### EMEA

[sales@assured-systems.com](mailto:sales@assured-systems.com)

Sales: +44 (0)1785 879 050

Support: +44 (0)1785 879 050

Unit A5 Douglas Park  
Stone Business Park  
Stone  
ST15 0YJ  
United Kingdom

VAT Number: 120 9546 28

Business Registration Number: 07699660