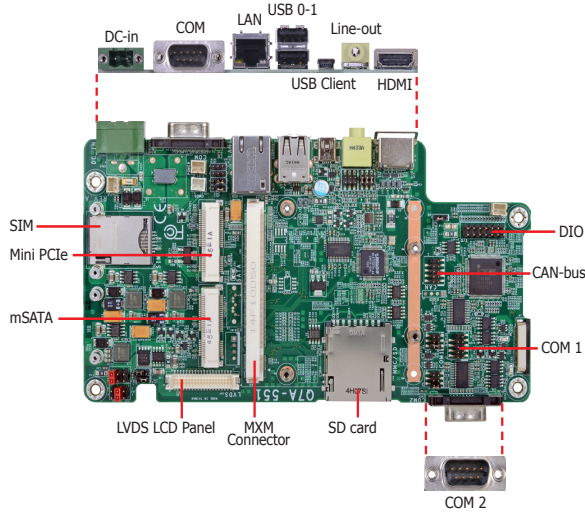




Qseven Carrier Board

Q7A-551

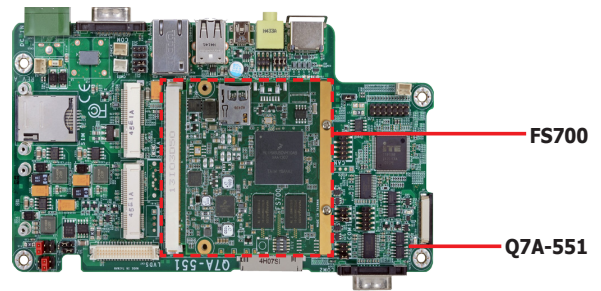


Features

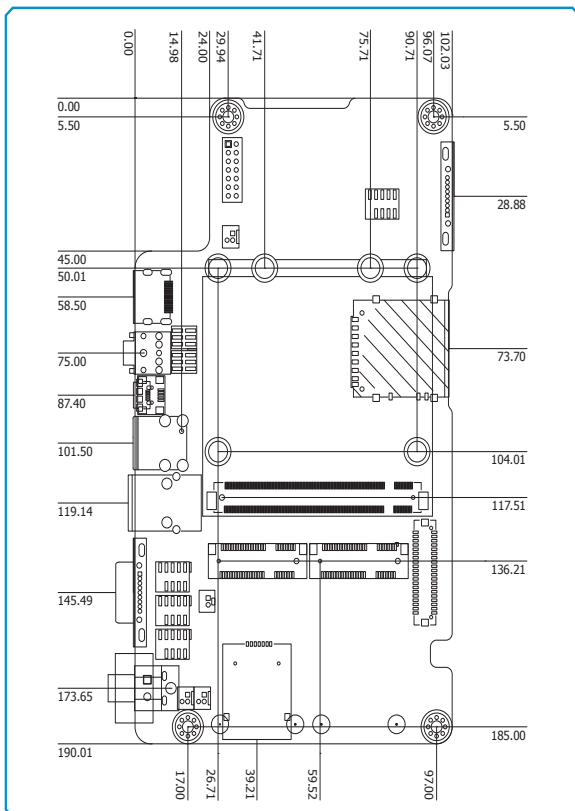
EXPANSION	1 Mini PCIe 1 SIM
DISPLAY OUTPUTS	1 HDMI, 1 LVDS
LAN	1 LAN
COM	3 COM
USB	2 USB 2.0, 1 USB Client
STORAGE	1 mSATA 1 SD card
DIO	12-bit DIO
DIMENSIONS	190mm x 102mm (7.48" x 4.02")



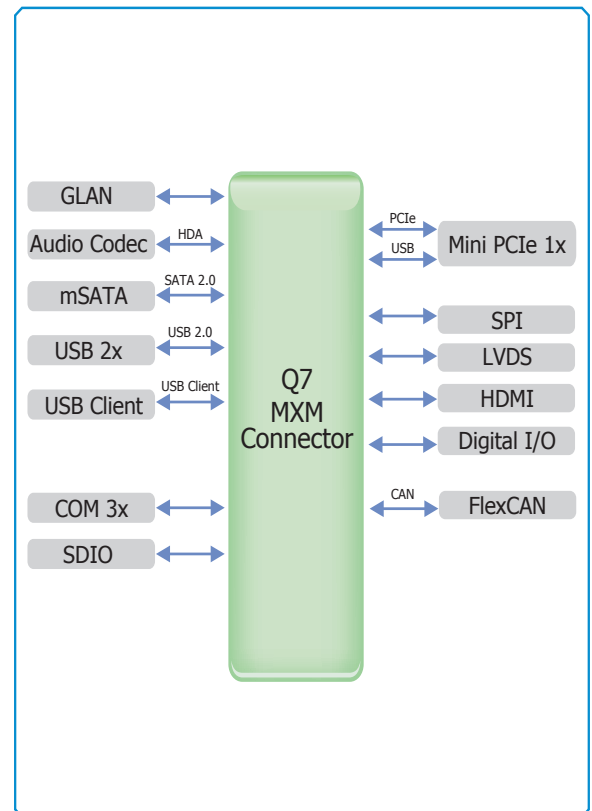
For FS700



Mechanical Drawing



Block Diagram





Q7A-551

Specifications * Optional and is not supported in standard model. Please contact your sales representative for more information.

ONBOARD GRAPHICS FEATURES

- Display ports
 - 1 HDMI
 - 2 24-bit single channel LVDS

ONBOARD AUDIO FEATURES

- Supports I²S audio interface
- 2 1W audio amplifier connectors (left and right sides)

ONBOARD USB FEATURES

- 2 USB 2.0 ports
- 1 USB Client port

STORAGE

- 1 mSATA via a Mini PCIe slot
- 1 SD card socket

PANEL I/O PORTS

- 2 USB 2.0 ports
- 1 USB Client port
- 2 DB-9 serial ports
 - 1 RS232/422/485
 - 1 RS232/UART
- 1 RJ45 LAN port
- 1 HDMI port
- 1 Line-out/Mic-in jack
- 1 12~36V DC-in jack

I/O CONNECTORS

- 1 connector for an external RS232/422/485 serial port (2.0mm pitch)
- 1 LVDS LCD panel connector
- 2 1W audio amplifier connectors (left and right sides)
- 1 FlexCAN (Flexible Controller Area Network) connector
- 1 12-bit Digital I/O connector

EXPANSION SLOTS

- 1 Mini PCIe slot
 - supports PCIe and USB signals
 - supports full size Mini PCIe card
- 1 SIM card socket

TEMPERATURE

- Operating: 0°C to 60°C
- Storage: -20°C to 85°C

HUMIDITY

- 10% to 90%

BOARD TO BOARD CONNECTORS

- One MXM connector

DIMENSIONS

- 190mm (7.48") x 102mm (4.02")

Packing List

• 1 Q7A-551 board
• 1 Power switch with cable: A81-006006-001G
• 1 Speaker 1.5W with cable: 293-120012-000G

Optional Items

• COM port cable: 332-753040-000G
• Power adapter (60W, 19V, Level6): 671-106011-000G
• EXT-KSDIO module (8-bit DIO Daughter Board): 774-KSDIO1-000G
• EXT-KSDIO cable: A81-009024-000G

Assured Systems

Assured Systems is a leading technology company with over 1,500 regular clients in 80 countries, deploying over 85,000 systems to a diverse customer base in 12 years of business. We offer high-quality and innovative rugged computing, display, networking and data collection solutions to the embedded, industrial, and digital-out-of-home market sectors.

US

sales@assured-systems.com

Sales: +1 347 719 4508
Support: +1 347 719 4508

1309 Coffeen Ave
Ste 1200
Sheridan
WY 82801
USA

EMEA

sales@assured-systems.com

Sales: +44 (0)1785 879 050
Support: +44 (0)1785 879 050

Unit A5 Douglas Park
Stone Business Park
Stone
ST15 0YJ
United Kingdom

VAT Number: 120 9546 28
Business Registration Number: 07699660