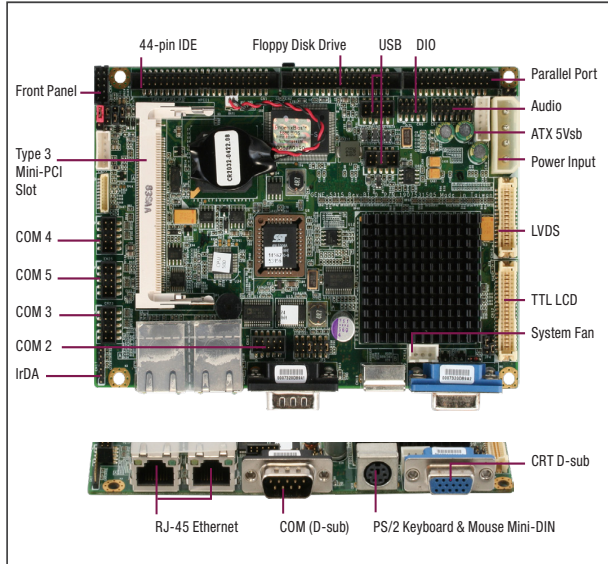


GENE-5315 Rev. B

3.5" SubCompact Board with AMD Geode™ LX Series Processor

SubCompact Boards



Features

- Onboard AMD Geode™ LX800 Processor
- AMD Geode™ LX + CS5536
- DDR 333 MHz SODIMM x 1, Up to 1 GB or DDR 400 MHz SODIMM x 1, Up to 512 MB
- 10/100Base-TX Ethernet x 2, RJ-45 x 2
- Up to 24-bit Single Channel LVDS/ TTL LCD & CRT
- AC97 Codec 2CH Audio
- EIDE x 1, Floppy Disk Drive x 1, CompactFlash™ x 1
- COM x 5, Parallel x 1, USB2.0 x 4, 8-bit Digital I/O
- Mini-PCI x 1
- +5V Only Operation



Specifications

System	
Form Factor	3.5" SubCompact Board
CPU	AMD Geode™ LX800 Processor AMD Geode™ LX 800(500MHz, 3.6W)
Chipset	CS5536
Memory Type	DDR333 SODIMM x 1 (DDR400 optional), up to 1GB
BIOS	Award 1MB
Wake on LAN	Yes
Watchdog Timer	255 Levels
Security	—
RTC Battery	Lithium Battery 3V/240mAh
Dimensions	5.75" x 4" (146mm x 101.7mm)
OS Support	Windows XP 32-bit
Power	
Power Requirement	+5V
Power Supply Type	AT/ATX
Connector	4Pin Connector
Power Consumption	LX 800 500 MHz, DDR400 1 GB, 1.17A@+5V(Typical)
Display	
Controller	AMD Geode™
LVDS/eDP	Up to 24-bit Single Channel LVDS/ TTL LCD
Display Interface	VGA x1, up to 1920 x 1200
Multiple Display	Up to 2 Simultaneous Displays
Audio	
Codec	High Definition Audio Interface
Audio Interface	Line-in/Line-out/MIC/CD-in (Audio function not available for WITAS SKU)
Speaker	—
External I/O	
Ethernet	10/100Base-TX x 2, Realtek RTL 8139DL
USB	—
Serial Port	COM1(RS-232)
Video	VGA x 1
Internal I/O	
USB	USB2.0 x 4
Serial Port	COM2, COM3, COM4(RS-232/422/485)
Video	TTL LCD x 1 LVDS LCD x 1
SATA	—
Audio	Audio Header x 1(Audio function not available for WITAS SKU)
DIO/GPIO	8-bit
SMBus/I2C	—
Touch	—

Fan	System Fan x 1
Sim	—
Front Panel	HDD LED, PWR LED, Power Button, Buzzer, Reset
Others	SPP/EPP/ECP x 1, CompactFlash. x 1, UDMA33 x 1
Expansion	
Mini PCIe/mSATA	—
M.2	—
Others	Mini-PCI x 1, Floppy Disk Drive x 1
Environment & Certification	
Operating Temp.	32°F ~ 140°F (0°C ~ 60°C), WITAS1 -4°F ~ 158°F (-20°C ~ 70°C)
Storage Temp.	-40°F ~ 185°F (-40°C ~ 85°C)
Operating Humidity	0% ~ 90% relative humidity, non-condensing
MTBF (Hours)	90,000
EMC	CE/FCC Class A

Optional Accessories

Part Number	Description	QTY
1702200205	Conversion Cable for ATX Power Supply, Length 20cm	1
1709140181	Audio Cable, Length 18cm	1
1709100208	USB Cable, Length 20cm	1
1701100206	COM Port Cable, 9P DB Male, Length 20cm	1
1701260201	Parallel Port Cable, Length 20 cm	1
1701340600	Floppy Cable, Length 60 cm	1

Packing List

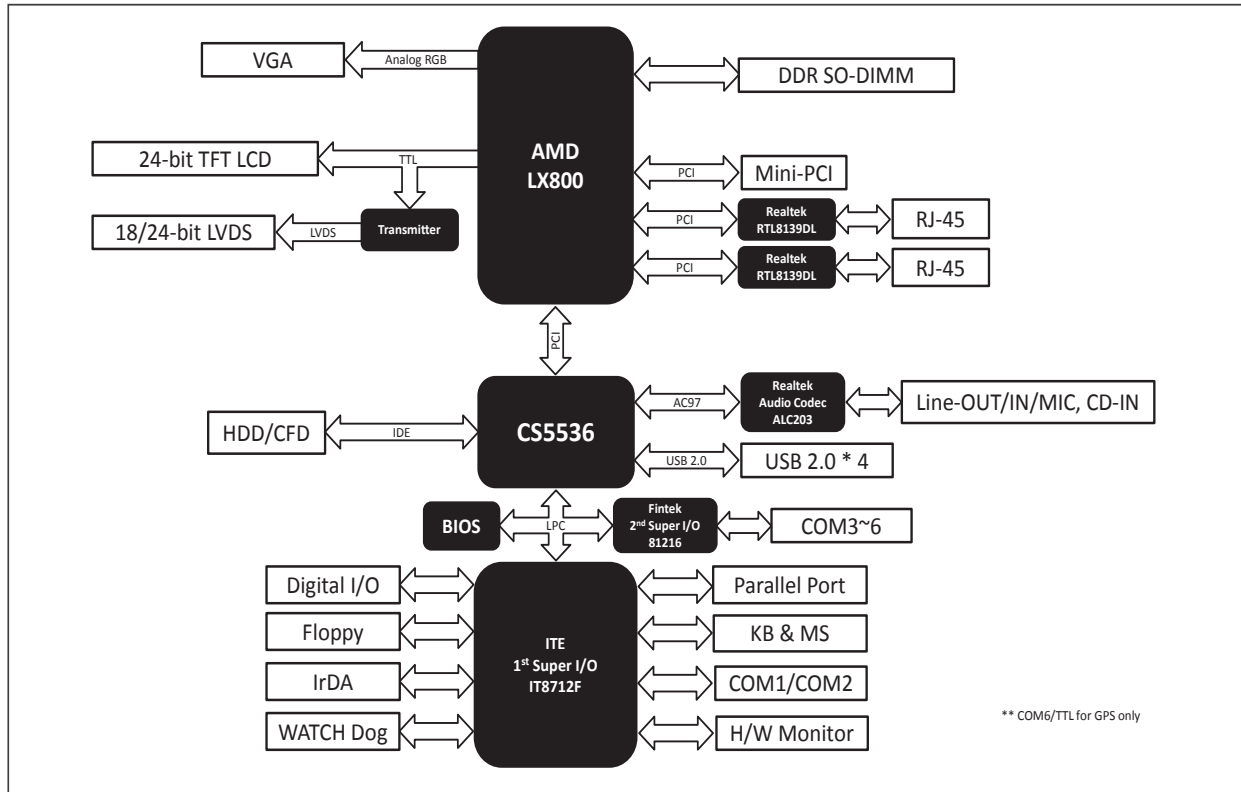
Part Number	Description	QTY per Board
GENE-5315	GENE-5315 Rev. B MB	1
9681531501	Cable Kit for GENE-5315(Keyboard & Mouse Cable, USB Cable, IDE Cable)	1
9657666600	Jumper Cap	1

GENE-5315 Rev. B

06

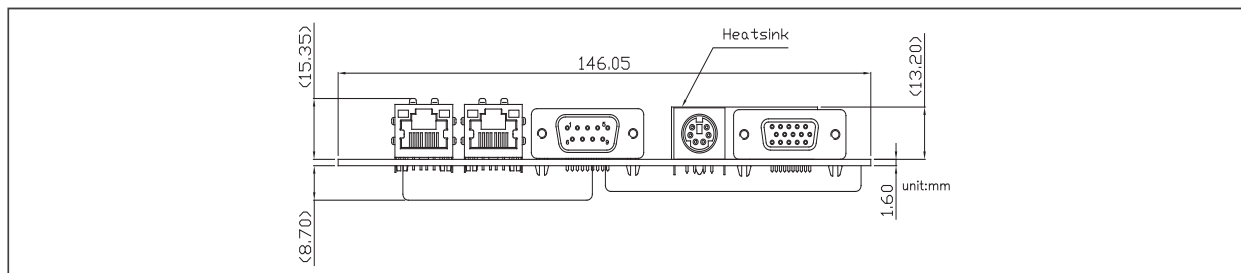
SubCompact Boards

Block Diagram



Dimension

Unit: mm



Ordering Information

Part Number	CPU	Fan/Fanless	Display	LVDS	Storage	LAN	USB	RS-232	RS-232/422/485	Expansion Slot	Power	Power Temp	Others
GENE-5315-B13	AMD Geode™ LX800	Fanless	CRT + LVDS CRT + TTL	24b,1CH	EIDE x 1 Floppy x 1 CompactFlash™ x 1	FE x 2	UBS2.0 x 4	4	1	Mini-PCI x 1	+5V, AT/ATX	0°C ~ 60°C	DIO x 8
GENE-5315-B13-01	AMD Geode™ LX800	Fanless	CRT + LVDS CRT + TTL	18b, 1CH	EIDE x 1 Floppy x 1 CompactFlash™ x 1	FE x 2	UBS2.0 x 4	4	1	Mini-PCI x 1	+5V, AT/ATX	0°C ~ 60°C	DIO x 8
GENE-5315W1-B13	AMD Geode™ LX800	Fanless	CRT + LVDS CRT + TTL	24b,1CH	EIDE x 1 Floppy x 1 CompactFlash™ x 1	FE x 2	UBS2.0 x 4	4	1	Mini-PCI x 1	+5V, AT/ATX	WITAS 1 (-20°C ~ 70°C)	DIO x 8
GENE-5315W1-B13-01	AMD Geode™ LX800	Fanless	CRT + LVDS CRT + TTL	18b, 1CH	EIDE x 1 Floppy x 1 CompactFlash™ x 1	FE x 2	UBS2.0 x 4	4	1	Mini-PCI x 1	+5V, AT/ATX	WITAS 1 (-20°C ~ 70°C)	DIO x 8

Assured Systems

Assured Systems is a leading technology company with over 1,500 regular clients in 80 countries, deploying over 85,000 systems to a diverse customer base in 12 years of business. We offer high-quality and innovative rugged computing, display, networking and data collection solutions to the embedded, industrial, and digital-out-of-home market sectors.

US

sales@assured-systems.com

Sales: +1 347 719 4508
Support: +1 347 719 4508

1309 Coffeen Ave
Ste 1200
Sheridan
WY 82801
USA

EMEA

sales@assured-systems.com

Sales: +44 (0)1785 879 050
Support: +44 (0)1785 879 050

Unit A5 Douglas Park
Stone Business Park
Stone
ST15 0YJ
United Kingdom

VAT Number: 120 9546 28
Business Registration Number: 07699660