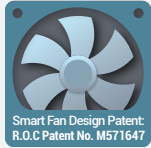


ATC 8010-7A/AF/DF

Intel® Core™ 8th Gen. CPU + NVIDIA® GPU
Powerful Intelligent Platform for AGU and ANPR/AFR



ATC 8010-7A

ATC 8010-7AF/7DF

Main Features

- Intel® Core™ 8th Gen. i7-8700T, 2.4GHz, 6 Core
- NVIDIA® GTX 1050Ti/1080 MXM graphic module supported
- 8 x Independent Intel® I210-IT 10/100/1000 PoE 802.3af/at
- 1 x VGA and 5 x HDMI video output
- ultraONE+ for 10-Meter video + audio output
- 2 x External SSD and 2 x mSATA for RAID 0, 1, 5, 10
- 2 x WWAN module and 3 x SIM socket with eSIM option
- Fanless or swappable smart fan kit (with patent)
- 3 x mini-PCIe and 1 x M.2
- CE/FCC/E mark

Product Overview

ATC 8010, powerful and reliable Artificial Intelligent (AI) platform, is specially designed for the applications, such as ANPR, AFR and highly-demanding on graphic performance. Its updated Intel® Coffee Lake desktop 35W CPU, and NVIDIA® 1050Ti/1080 graphic card guarantees the graphic performance, which satisfies with most of the Automated Intelligent (AI) requirement. 8-Port 802.3af/at PoE, offers wide bandwidth and precise control to the analysis of big video data. Besides, ultraONE+ technology commits the transmission of video and audio, up to 10 meters distance. 5 x HDMI and 1 x VGA let users monitor the immediate video without any delay and blind spot. RAID 0, 1, 5, 10 guarantees the safety of video data in the 2 x external SSD, and 2 x mSATA. Fanless design for NVIDIA® GeForce® GTX 1050Ti is also available.

Specifications

CPU

- Intel® Core™ 8th Gen. i7-8700T processors, 2.4GHz, 35W, 6 core

Chipset

- Intel® Q370 platform controller hub

Memory

- 2-Channel 260-pin DDR4 SO-DIMM sockets up to 32GB/channel (64GB for two channels), default 4GB + 4GB industrial grade memory

GPU

- ATC 8010-7A/7AF
 - NVIDIA® GeForce® GTX 1050Ti MXM module
 - Memory size: 4GB GDDR5
 - CUDA core: 768
 - GPU clock: 1493 MHz
 - Memory Bandwidth: 112 GB/sec
 - Memory interface width: 128-bit
- ATC 8010-7DF
 - NVIDIA® GeForce® GTX 1080 MXM module
 - Memory size: 8GB GDDR5X
 - CUDA core: 2560
 - GPU Clock (Base/Boost): 1556/1733 MHz
 - Memory Bandwidth: 320 GB/sec
 - Memory interface width: 256-bit

Storage

- 2 x 2.5" SATA 3.0 external SSD
- 2 x mSATA

Expansion

- 1 x Full size mini-PCIe socket (USB 2.0, PCIe 3.0/SATA 3.0 (option))
- 1 x Full size mini-PCIe socket (USB 2.0, (USB 3.0, Co-lay M.2 key B))
- 1 x Full size mini-PCIe socket (USB 2.0, PCIe 3.0/SATA 3.0 (option))
- 1 x M.2 key B 3042 (USB 2.0, USB 3.1)

GNSS and On Board Sensor

- 1 x Default U-blox NEO-M8N GNSS module for GPS/Glonass/QZSS/Galileo/Beidou. Optional modules with dead reckoning available
- Built-in G Sensor
- TPM 2.0 (Option)
- Watchdog timer: Programmable 1~255 sec

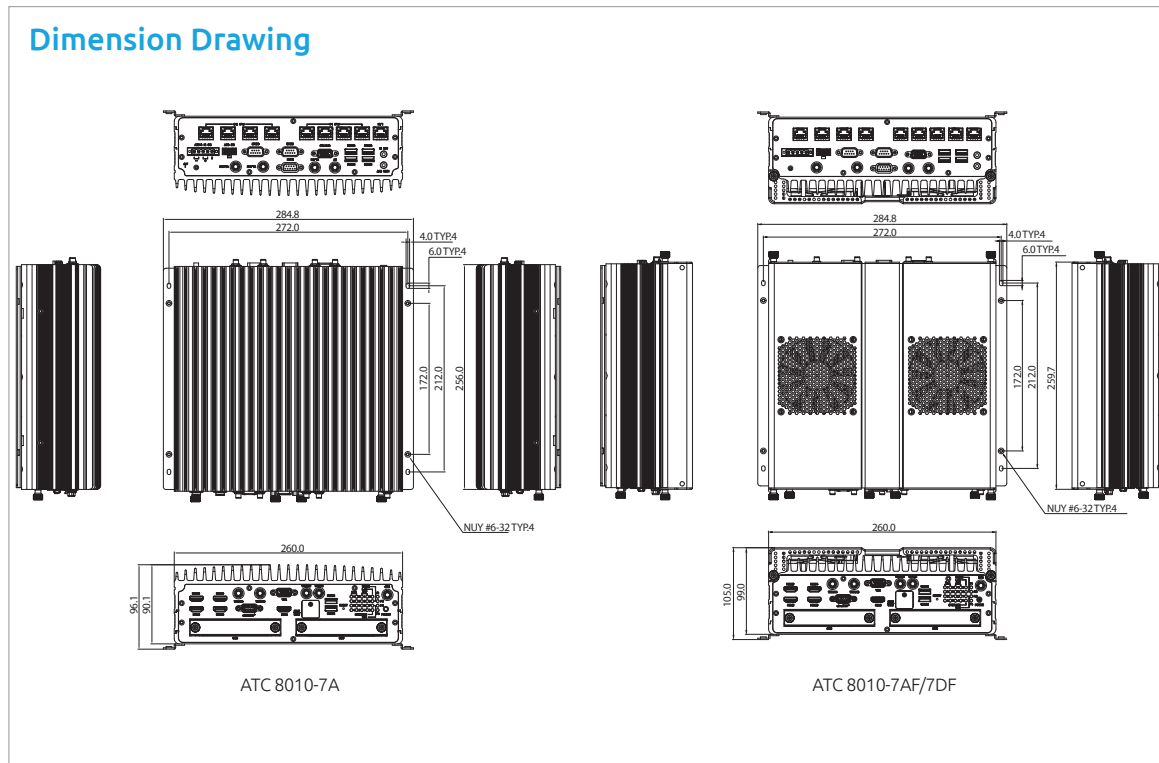
Power over Ethernet

- 8-Port LAN, independent I210-IT 10/100/1000 Mbps, PoE 802.3af/at, max. 60W

I/O Interface-Front

- 24 x LED indicators (including 4 x programmable LED)
- 1 x HDMI 1.4b from Intel CPU (max resolution: 4096 x 2160 @ 30Hz)
- 4 x HDMI 2.0 from MXM module (max resolution: 4096 x 2160 @ 60Hz)
- 1 x VGA (max resolution: 1920 x 1200@60Hz)
- 1 x ultraONE+ for 10M video + audio output + 24VDC output
- 2 x USB 3.1 type A (5V/1A)
- 2 x Externally accessible SIM sockets + 1 x internal SIM socket
- 2 x 2.5" removable SSD tray
- 1 x Reset button

www.nexcom.com



- 1 x Power button
- 5 x SMA antenna

I/O Interface-Rear

- 8 x PoE 802.3af/at (Max. 60W)
- 1 x LAN, I210-IT 10/100/1000 Mbps
- 1 x 5-pin terminal block for 9V~36VDC
- 1 x Mic-in, 1 x Line-out
- 4 x 2 connector for 12VDC/2A output, power button, 2 x MDI
- 2 x DB9 for full RS232
- 1 x DB9 for full RS232/422/485 (RI, 5V/0.5A, 12V/0.5A)
- 1 x DB15
 - 1 x Isolated CANBus 2.0B
 - 1 x GPS DR
 - 4 x DI and 4 x DO
- 4 x SMA antenna
- 4 x USB 3.1 type A (5V/1A)

Power Management

- Selectable boot-up & shut-down voltage for low power protection by software
- Setting 8-level power on/off delay time by software
- Support S3/S4 suspend mode

Operating System

- Windows 10/Linux/YOCTO (by request)

Dimensions

- ATC 8010-7A: 260 x 256 x 90.1 (W x D x H) (mm)
- ATC 8010-7AF: 260 x 259.7 x 99 (W x D x H) (mm)
- ATC 8010-7DF: 260 x 259.7 x 99 (W x D x H) (mm)

Weight

- ATC 8010-7A: 6.3kg
- ATC 8010-7AF: 7kg
- ATC 8010-7DF: 7kg

Environment

- Operating temperatures:
 - ATC 8010-7A: -30°C~60°C(w/ industrail SSD) with air flow
 - ATC 8010-7AF: -30°C~60°C(w/ industrail SSD) with air flow
 - ATC 8010-7DF: -30°C~50°C (w/ industrail SSD) with air flow

- Storage temperatures: -40°C~80°C
- Relative humidity: 90% (non-condensing)
- Vibration (random)
 - 2g@5~500 Hz (in operation, SSD)
- Vibration (SSD)
 - Operating: MIL-STD-810G, Method 514.6, Category 4, common carrier US highway truck vibration exposure
 - Storage: MIL-STD-810G, Method 514.6, Category 24, minimum integrity test
- Shock (SSD)
 - Operating: MIL-STD-810G, Method 516.6, Procedure I, functional shock=40g
 - Non-operating: MIL-STD-810G, Method 516.6, Procedure V, crash hazard shock test=75g

Certifications

- CE approval, FCC Class A, E13 mark

Ordering Information

- **ATC 8010-7A (P/N: 10AT0801004X0)**
Fanless design. Intel® Core™ 8th Gen. i7-8700T processors, 8GB industrial grade memory, NVIDIA® GeForce® GTX 1050Ti, 8 x PoE 802.3af/at, 3 x mini-PCIe, 1 x M.2, 3 x SIM
- **ATC 8010-7AF (P/N: 10AT0801000X0) (*By Request)**
With swappable smart fan kit. Intel® Core™ 8th Gen. i7-8700T processors, 8GB industrial grade memory, NVIDIA® GeForce® GTX 1050Ti, 8 x PoE 802.3af/at, 3 x mini-PCIe, 1 x M.2, 3 x SIM
- **ATC 8010-7DF (P/N: 10AT0801005X0)**
With swappable smart fan kit. Intel® Core™ 8th Gen. i7-8700T processors, 8GB industrial grade memory, NVIDIA® GeForce® GTX 1080, 8 x PoE 802.3af/at, 3 x mini-PCIe, 1 x M.2, 3 x SIM

Assured Systems

Assured Systems is a leading technology company with over 1,500 regular clients in 80 countries, deploying over 85,000 systems to a diverse customer base in 12 years of business. We offer high-quality and innovative rugged computing, display, networking and data collection solutions to the embedded, industrial, and digital-out-of-home market sectors.

US

sales@assured-systems.com

Sales: +1 347 719 4508
Support: +1 347 719 4508

1309 Coffeen Ave
Ste 1200
Sheridan
WY 82801
USA

EMEA

sales@assured-systems.com

Sales: +44 (0)1785 879 050
Support: +44 (0)1785 879 050

Unit A5 Douglas Park
Stone Business Park
Stone
ST15 0YJ
United Kingdom

VAT Number: 120 9546 28
Business Registration Number: 07699660