

# NDiS B115

Digital Signage Player

Powered by ARM® Cortex®-A17 Quad Core Processor



## Main Features

- On board Cortex®-A17 quad core SoC
- Compliant to HDMI 2.0, support 4K2K video content
- On board IEEE802.11 b/g/n and Bluetooth 4.0
- Fanless and slim design
- Support Android

## Product Overview

Powered by ARM® Cortex®-A17 Quad core, NDiS B115 can play rich multi-media contents with low power consumption. NDiS B115 is enclosed in a compact chassis and can be easily integrated to display devices, such as LCD TV or PDP at site installation with HDMI display output (up to HDMI 2.0 support 4K2K 60Hz), Giga LAN. NDiS B115 is suitable as an entry level digital signage player for advertising, messaging, and brand promotion.

## Specifications

### Processor

- Rockchip RK3288 28nm Cortex®-A17 Quad core up to 1.8GHz

### Memory

- Support DDR3 2GB memory on board

### I/O Interface – Front

- Power LED indicator

### I/O Interface-Left

- 1 x SD card slot support up to 64GB flash card
- Rest button
- 1 x USB 2.0

### I/O Interface – Rear

- 1 x HDMI 2.0 output
- 1 x RJ45 Gigabit LAN port
- 1 x USB OTG

- 1 x ANT
- DC 5V power input jack
- 1 x Audio line out

### Storage

- Internal Flash: default 16G Bytes eMMC flash

### Dimension

- 118mm(W) x 101mm (D) x 23.6mm(H)

### Environment

- Operating temperature: ambient with air flow from -10°C to 50°C
- Storage temperature: -20°C to 80°C
- Humidity: 10 to 95% (non-condensing)

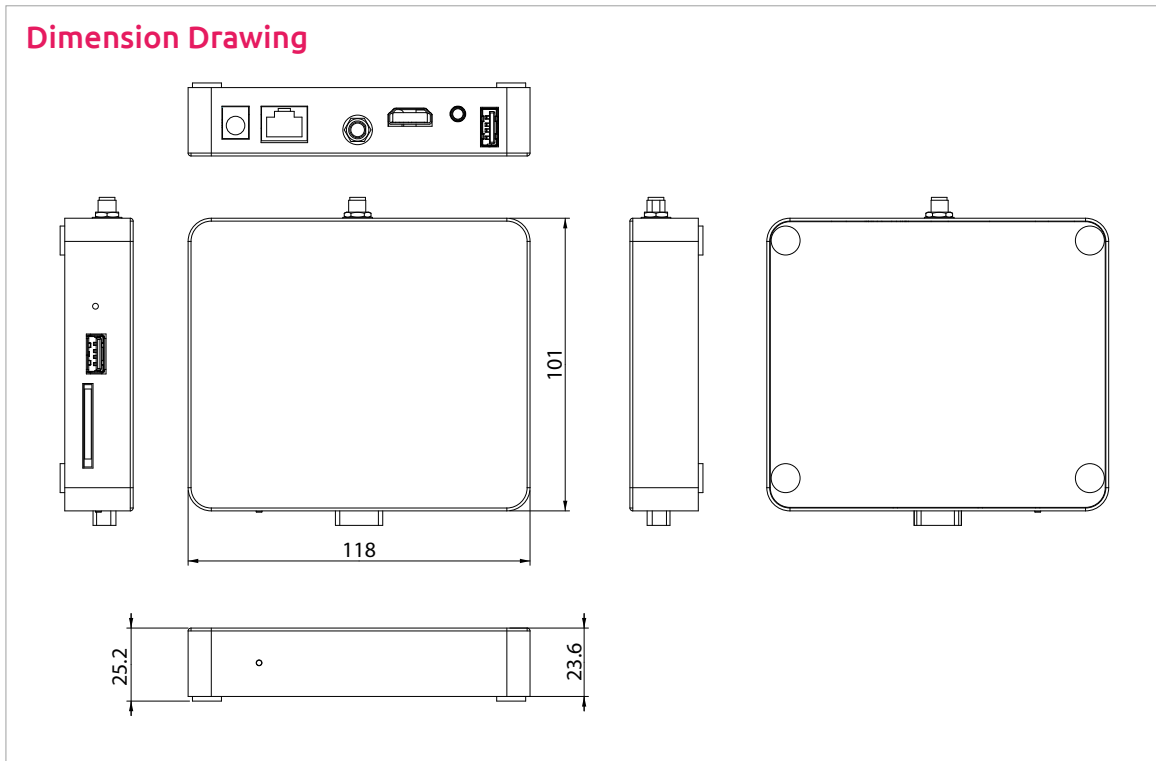
### Operating System

- Android 4.4

www.nexcom.com



### Dimension Drawing



### Ordering Information

- ♦ **NDiS B115 (P/N: 10W00B11500X0)**  
Rockchip RK3288 ARM Cortex-A17 Quad core

## Assured Systems

Assured Systems is a leading technology company with over 1,500 regular clients in 80 countries, deploying over 85,000 systems to a diverse customer base in 12 years of business. We offer high-quality and innovative rugged computing, display, networking and data collection solutions to the embedded, industrial, and digital-out-of-home market sectors.

### US

[sales@assured-systems.com](mailto:sales@assured-systems.com)

Sales: +1 347 719 4508  
Support: +1 347 719 4508

1309 Coffeen Ave  
Ste 1200  
Sheridan  
WY 82801  
USA

### EMEA

[sales@assured-systems.com](mailto:sales@assured-systems.com)

Sales: +44 (0)1785 879 050  
Support: +44 (0)1785 879 050

Unit A5 Douglas Park  
Stone Business Park  
Stone  
ST15 0YJ  
United Kingdom

VAT Number: 120 9546 28  
Business Registration Number: 07699660