

# NDiS V1000

Multi-Display Embedded Computer  
Powered by AMD V Series Quad APU Processor



## Main Features

- Onboard AMD V1605B APU processor
- Graphics operating at up to 1.1 GHz
- Dual DDR4 SO-DIMM, up to 32G
- Support 4 x HDMI 2.0 for video wall application
- Support M.2 M Key, 2280/2242 size storage device
- 4 x USB 3.0 support
- M.2 E key slot for optional Wi-Fi module
- 1 x Onboard TPM 2.0 IC

## Product Overview

NDiS V1000 is specifically designed to address the need for application to present high quality contents on video wall, central control room, and multi-display applications. NDiS V1000 provides 4 independent HDMI and 4 x USB 3.0 and dual GbE Ethernet with optional WLAN. Powered by the AMD V1605B processor, NDiS V1000 can smoothly playback multiple 4K@60Hz video clips and is an advanced media player for any applications to demonstrate high quality and high impact contents over multiple displays.

## Specifications

### CPU Support

- AMD Ryzen™ Embedded V1605B, TDP 15W

### Graphics

- AMD Radeon™ Vega 8

### Main Memory

- 2 x 260-pin SO-DIMM socket, support up to DDR4 2400/2666MHz, non-ECC, un-buffered memory up to 32GB

### I/O Interface-Front

- 1 x Storage active LED
- 1 x Power button
- 1 x RS232 (support RS232/422/485)

### I/O Interface-Rear

- 2 x Antenna hole
- 4 x USB 3.0
- 4 x HDMI 2.0 with resolution up to 4096 x 2160 @ 60Hz
- 2 x RJ45 with LEDs for Gigabit LAN (Intel® I211-AT)
- 1 x +12V DC-in Jack (4-pin)
- 1 x Audio Line-out

### Internal IO

- 3 x RS232 via box header
- 2 x USB 2.0 pin header
- GPIO connector

### Expansion

- 1 x M.2 E Key 2230, support optional Wi-Fi module

### Storage

- 1 x M.2 M Key 2242/2280 optional SATA 3.0 SSD

### Power Supply

- 1 x External 12+/-5% VDC, 120W Input, DC jack connector 4-pin

### Environment

- Operating temperature: 0°C to 40°C
- Storage temperature: -20°C to 80°C
- Humidity: 95% (non-condensing)

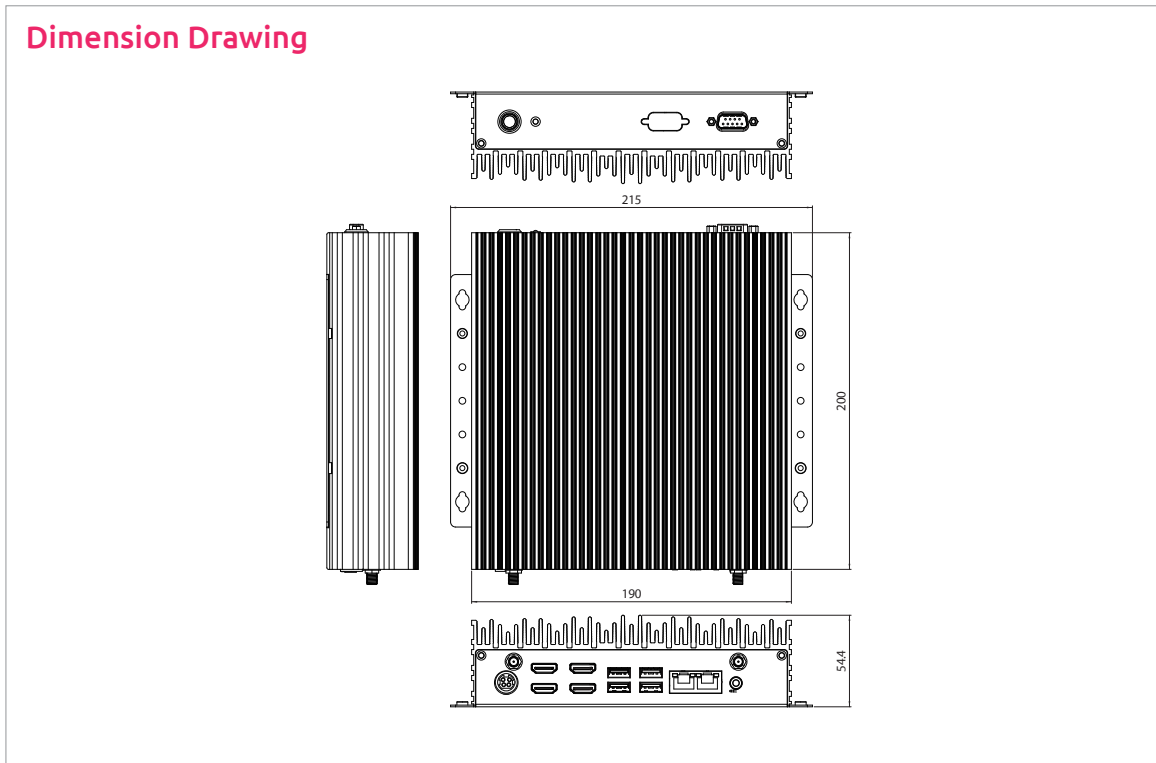
### Certification

- CE (EMC EN55032 +EN55024)
- FCC Class A (EMI part 15B)
- LVD

www.nexcom.com



**Dimension Drawing**



**Dimensions**

- 190mm (L) x 200mm (W) x 54.4mm (H)

**Operating System Support**

- Win10 64-bit/Linux4.1

**Ordering Information**

- **NDiS V1000 (P/N: 10W00100000X4)**  
AMD V1605B Quad Processor Multi-Display Embedded Computer

## Assured Systems

Assured Systems is a leading technology company with over 1,500 regular clients in 80 countries, deploying over 85,000 systems to a diverse customer base in 12 years of business. We offer high-quality and innovative rugged computing, display, networking and data collection solutions to the embedded, industrial, and digital-out-of-home market sectors.

### US

[sales@assured-systems.com](mailto:sales@assured-systems.com)

Sales: +1 347 719 4508  
Support: +1 347 719 4508

1309 Coffeen Ave  
Ste 1200  
Sheridan  
WY 82801  
USA

### EMEA

[sales@assured-systems.com](mailto:sales@assured-systems.com)

Sales: +44 (0)1785 879 050  
Support: +44 (0)1785 879 050

Unit A5 Douglas Park  
Stone Business Park  
Stone  
ST15 0YJ  
United Kingdom

VAT Number: 120 9546 28  
Business Registration Number: 07699660