

VMD 3110

10.4" XGA Vehicle Mounted Display
with Projected Capacitive Touch Screen, ultraONE+ and CVBS Interfaces



Main Features

- 10.4" XGA TFT LCD panel
- Slim bezel and compact design
- Can power off PC system with button on display
- ultraONE+ for multi-IO 10M transmission distance
- Projected capacitive touch screen with multi-touch
- Support four CVBS inputs to connect rear view camera
- High brightness display for outdoor applications
- Compliant with IP65

Product Overview

VMD 3110 is a robust TFT LCD monitor with ultraONE+ technology for multi-IO up to 10 meters transmission distance and enhanced brightness, projected capacitive touchscreen, and high performance loud speaker. It is designed with a cable to consolidate power, display, and other control signal to ease the installation and a cable to secure the connection. It also features four analog video inputs to feed the real time video from the rear view cameras to the display. VMD 3110 mechanical design is compliant with IP65. With the 1000nits ultra high brightness display and adaptive brightness control, it is an ideal solution for in-vehicle and outdoor applications.

Specifications

General

- Enclosure: plastic PC + ABS
- Mounting: support VESA 75/100
- Power input: 24VDC
- Power consumption: 12W
- Ingress protection: IP65
- Dimension: 256.5 x 202.1 x 31.5 mm
- Weight: 1.64Kg, 4.16Lb

LCD Panel

- 10.4-inch TFT LCD panel with LED backlight
- 1024 x 768 pixels (XGA)
- Brightness: 1200 cd/m² (typical, after touch screen is 1080cd/m²)
- Contrast ratio: 500: 1 (typical)

Touch Screen Sensor

- Projected capacitive touchscreen
- Surface hardness: 3H
- Multiple touch

I/O Interface-Front

- 1 x LED indicators (power on/off, auto back-light, MCU update)
- 2 x Built-in 1W 8ohm speakers
- IR remote sensor

I/O Interface-Lateral

- On screen display buttons x 7
 - Display power on/off
 - PC system power off
 - Volume control (+/-)
 - Brightness control (+/-)

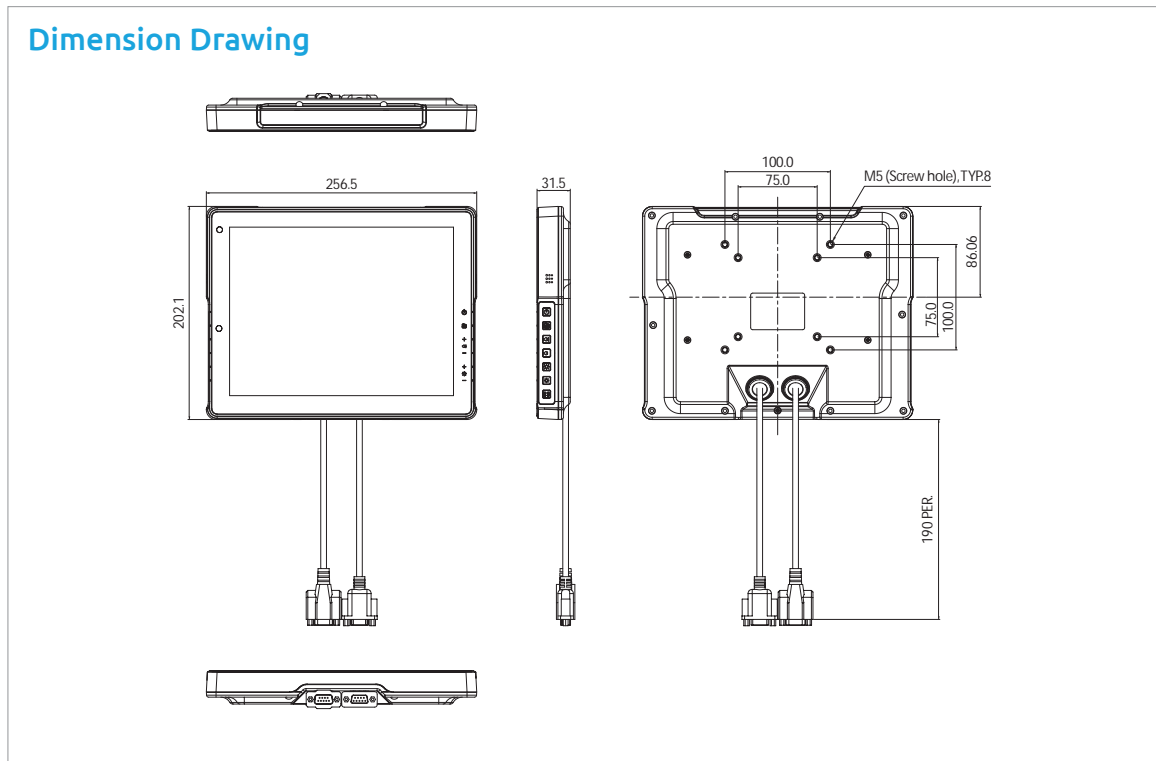
I/O Interface-Bottom

- 1 x DB9 connector (male, integrating USB 2.0, 24VDC power-in, video and power button) to connect with NEXCOM telematics computer
- 1 x DB9 connector (female, CVBS1, CVBS2, CVBS3, CVBS4) to connect up to 4 x analog cameras

www.nexcom.com



Dimension Drawing



Environment

- Operating temperature: -20°C to 60°C
- Storage temperature: -30°C to 80°C
- Vibration (random): 2.5g@5 ~ 500 Hz
- Vibration
 - Operating: MIL-STD-810G, 514.6 Procedure 1, Category 4, Ground Vehicle – Highway Truck
 - Storage: MIL-STD-810G, 514.6 Procedure 1, Category 4, Integrity Test
- Shock
 - Operating: MIL-STD-810G, Method 516.6, Procedure I, Trucks and semi-trailers=20g
 - Crash hazard: MIL-STD-810G, Method 516.6, Procedure V, Ground equipment=75g

Standards/Certifications

- CE approval
- FCC Class B

Ordering Information

- **VMD 3110-4PH (P/N: 10VD0311000X0)**
10.4" XGA vehicle mount display with touch screen, ultraONE+ and CVBS input

Assured Systems

Assured Systems is a leading technology company with over 1,500 regular clients in 80 countries, deploying over 85,000 systems to a diverse customer base in 12 years of business. We offer high-quality and innovative rugged computing, display, networking and data collection solutions to the embedded, industrial, and digital-out-of-home market sectors.

US

sales@assured-systems.com

Sales: +1 347 719 4508
Support: +1 347 719 4508

1309 Coffeen Ave
Ste 1200
Sheridan
WY 82801
USA

EMEA

sales@assured-systems.com

Sales: +44 (0)1785 879 050
Support: +44 (0)1785 879 050

Unit A5 Douglas Park
Stone Business Park
Stone
ST15 0YJ
United Kingdom

VAT Number: 120 9546 28
Business Registration Number: 07699660