



FANLESS EMBEDDED SYSTEMS

RCO-1020D series

Compact Fanless Embedded System with Intel® Atom™ E3845 or Celeron® J1900, DVI-I, 6xCOM



FEATURES

- Intel® Atom™ Processor E3845, 1.91GHz or Intel® Celeron® J1900, 2.0GHz
- 1x 204-Pin DDR3L 1066/1333MHz SODIMM. Max. up to 8 GB
- Dual independent display supported by 1x DVI-I
- 2x Intel® GbE supporting Wake-on-LAN and PXE
- 1x 2.5" SATA HDD bay, 1x mSATA, 2x SIM socket
- 2x Full-size mini PCIe for communication or expansion modules
- 6x RS-232/422/485, 1x USB 3.0, 3x USB 2.0, and 1x Universal I/O Bracket
- 9 to 48VDC wide range power input supporting AT/ATX mode
- -40°C to 70°C extended operating temperature

SPECIFICATIONS

System

Processor	Intel® Atom™ Processor E3845, Quad Core, 2MB Cache, 1.91 GHz Intel® Celeron® Processor J1900, Quad Core, 2MB Cache, 2.0 GHz
-----------	--

System Chipset	SoC integrated
----------------	----------------

LAN Chipset	GbE1 & GbE2: Intel® I210-AT (Support Wake-on-LAN and PXE)
-------------	---

Audio Codec	Realtek ALC888S
-------------	-----------------

System Memory	1x 204-Pin DDR3L 1066/1333MHz SODIMM. Max. up to 8 GB
---------------	---

BIOS	AMI 64Mbit SPI BIOS
------	---------------------

Watchdog	Software Programmable Supports 1-255 sec. System Reset
----------	--

Display

VGA	Yes (by optional split cable)
-----	-------------------------------

DVI	1x DVI-I
-----	----------

Multiple Display	Dual Display
------------------	--------------

Storage

SSD/HDD	1x Internal 2.5" SATA HDD Bay
---------	-------------------------------

mSATA	1x mSATA (shared by 1x Mini PCI Express)
-------	--

SIM Socket	2x External SIM socket
------------	------------------------

Expansion

Mini PCI Express	2x Full-size Mini PCIe
------------------	------------------------

I/O

COM	2x RS-232/422/485 4x RS-232/422/485 (module)
-----	---

USB	1x USB 3.0, 3x USB 2.0
-----	------------------------

LAN	2x RJ45
-----	---------

Audio	1x Mic-in, 1x Line-out
-------	------------------------

Universal I/O Bracket	1x Universal I/O Bracket (By mini PCIe interface)
-----------------------	---

Others	4x WiFi Antenna Holes 1x Power Switch, 1x AT/ATX Switch, 1x Remote Power On/Off
--------	---

Operating System

Windows	Windows 10, Windows 7, WES7
---------	-----------------------------

Linux	Linux kernel 3.X
-------	------------------

Power

Power Mode	AT, ATX
------------	---------

Power Supply Voltage	9-48VDC
----------------------	---------

Power Connector	3-pin Terminal Block
-----------------	----------------------

Power Adaptor	Optional AC/DC 12V/5A, 60W
---------------	----------------------------

Power Protection	OVP (Over Voltage Protection) OCP (Over Current Protection) Reverse Protection
------------------	--

Environment

Operating Temp.	-40°C to 70°C
-----------------	---------------

Storage Temp.	-40°C to 85°C
---------------	---------------

Relative Humidity	10% to 95% (non-condensing)
-------------------	-----------------------------

Vibration	With SSD: 5 Grms, 5 - 500 Hz, 0.5 hr/axis With HDD: 1 Grms, 5 - 500 Hz, 0.5 hr/axis
-----------	--

Shock	With SSD: 50G, half sine, 11ms
-------	--------------------------------

Standards / Certification	CE, FCC Class A
---------------------------	-----------------

Physical

Construction	Extruded Aluminum with Heavy Duty Metal
--------------	---

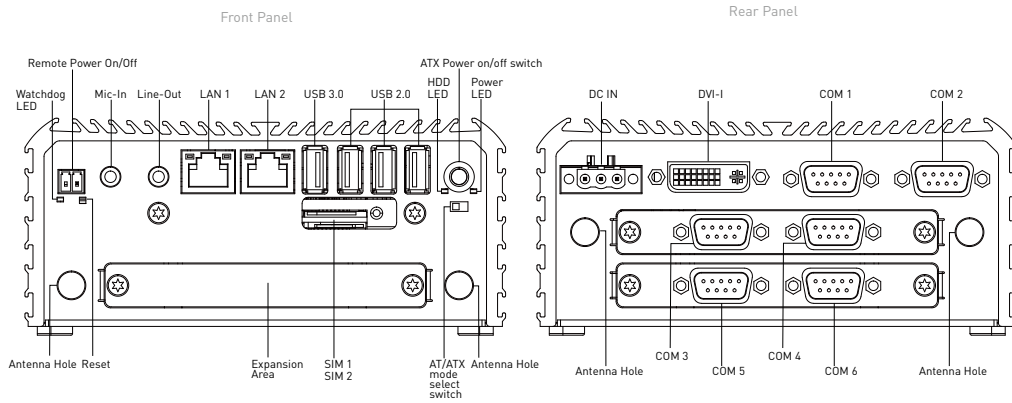
Dimension (WxDxH)	150 (W) x 105 (H) x 65 (H) mm
-------------------	-------------------------------

Weight	0.98 kg
--------	---------

Mounting	Wall Mounting Side / VESA / DIN-Rail Mounting (Optional)
----------	---

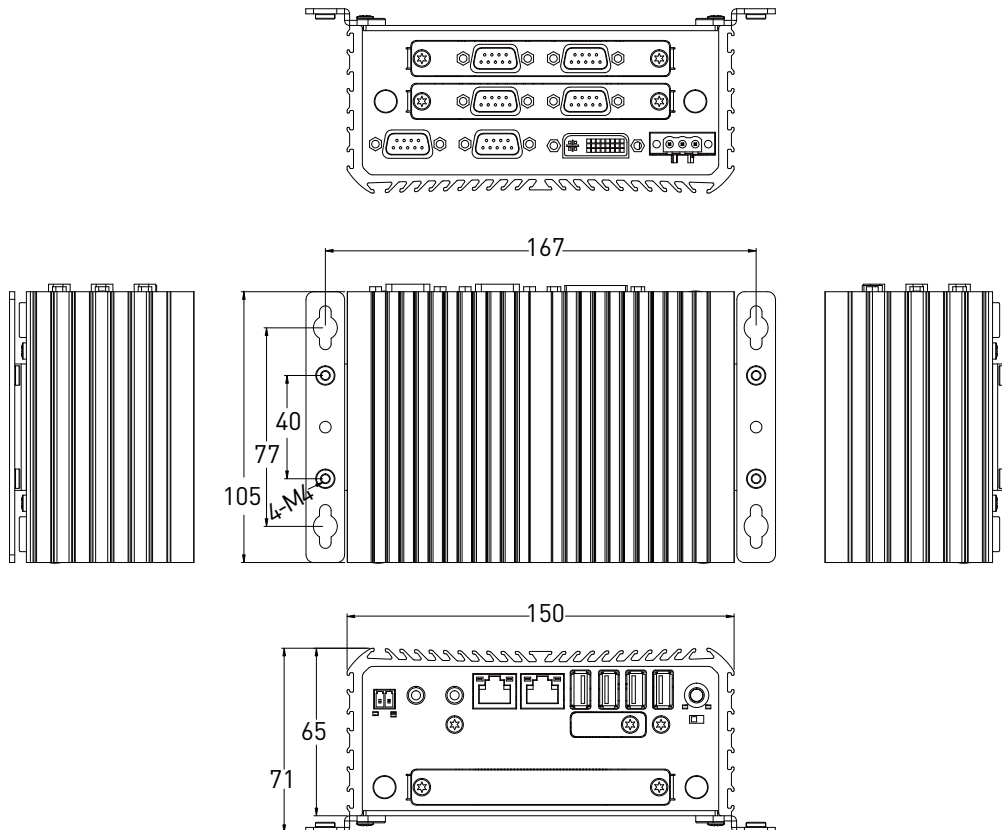
* All specifications and photos are subject to change without notice.

EXTERNAL I/O MECHANICAL LAYOUT



DIMENSION

Unit: mm





RCO-1020D series

ORDERING INFORMATION

MODEL NO.	DESCRIPTION
1-E09A06008	Adapter AC/DC 12V 5A 60W with 3pin Terminal Block Plug 5.0mm Pitch
1-TPCD00005	Power Cord, 3-pin US Type, 180cm
1-TPCD00002	Power Cord, European Type
1-TPCD00001	Power Cord, 3-pin UK Type, 180cm
3-SIDE-0003	RCO-1020 Series Side Mount Ki
3-VESA-0003	RCO-1000 Series VESA Mount Kit
3-DINR-0004	DIN-Rail Mount Kit

PACKING LIST

- 1x RCO-1000 Series Embedded System
- 1x Wall Mount Kit
- 1x Accessory Kit
- 1x DVI to VGA Adapter

AVAILABLE MODELS

MODEL NO.	DESCRIPTION
RCO-1020D-E3845	Compact Fanless Embedded System with Intel® E3845 CPU, 1xDVI, 6xCOM
RCO-1020D-J1900	Compact Fanless Embedded System with Intel® J1900 CPU, 1xDVI, 6xCOM



C&T Solution Inc.

17F-2, No. 700, Zhongzheng Rd., Zhonghe Dist., New Taipei City 235, Taiwan (R.O.C.)

Tel: +886-2-7731-7888 Fax: +886-2-7731-7855

Email: info@candtsolution.com

www.candtsolution.com

Assured Systems

Assured Systems is a leading technology company with over 1,500 regular clients in 80 countries, deploying over 85,000 systems to a diverse customer base in 12 years of business. We offer high-quality and innovative rugged computing, display, networking and data collection solutions to the embedded, industrial, and digital-out-of-home market sectors.

US

sales@assured-systems.com

Sales: +1 347 719 4508
Support: +1 347 719 4508

1309 Coffeen Ave
Ste 1200
Sheridan
WY 82801
USA

EMEA

sales@assured-systems.com

Sales: +44 (0)1785 879 050
Support: +44 (0)1785 879 050

Unit A5 Douglas Park
Stone Business Park
Stone
ST15 0YJ
United Kingdom

VAT Number: 120 9546 28
Business Registration Number: 07699660