

EMC-0201 Series

10/100TX to 100FX Enterprise Media Converter, Multi-Mode or Single-Mode, SC / ST Connector



FEATURES

- ▶ Complies with IEEE 802.3 100BaseT & IEEE 802.3u 100BaseTX/FX Standards
- ▶ Supports Store-and-Forward Switching Mechanism
- ▶ 10/100Mbps Auto Negotiation
- ▶ Supports 9K Bytes Jumbo Frame Size
- ▶ Supports Link Alarm and Rear Panel DIP Switch
- ▶ Supports 2K MAC Address
- ▶ Supports 128K Bytes Packet Buffer
- ▶ Configuration DIP Switch Supports Auto, Speed, Duplex, Auto MDI/MDI-X, and Link-Fault-Pass-Through
- ▶ Rackmount or Wall Mountable
- ▶ Operating Temperature Range: 0°C to 50°C
- ▶ 5-Year Warranty

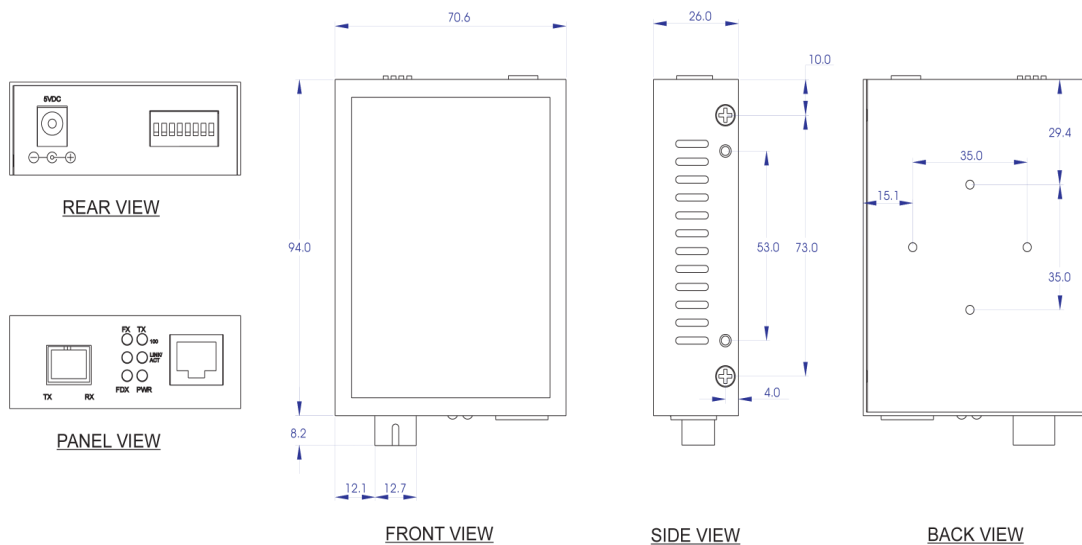


INTRODUCTION

Antaira Technologies' EMC-0201 series is a compact fiber to Ethernet media converter housed in a metal case and conforms to the FCC emissions standards. The EMC-0201 series features a standard SC or ST fiber connector as well as the RJ45 Ethernet connector. The copper media converter is fully compliant with IEEE 802.3 and 802.3u Fast Ethernet. The industrial media converter features LED diagnostics for power, activity, link and Full/Half Duplex operations. The EMC-0201 series is a 10/100 multi-mode or single-mode fiber media converter capable of communication up to 30KM depending on the model of the series.

DIMENSIONS

UNIT:MM



SPECIFICATIONS

TECHNOLOGY		MECHANICAL CHARACTERISTICS	
Standards	IEEE 802.3 10Base-T Ethernet IEEE 802.3u 100Base-TX Fast Ethernet	Housing	Metal, IP30 protection
SWITCH PROPERTIES		Dimension	71 x 26 x 94 mm (W x H x D)
Processing Type	Store and Forward	Weight	Unit: 0.45 lb Shipping: 1.00 lb
Transfer Rate	14,880pps for Ethernet Port 148,800pps for Fast Ethernet Port	Mounting	Rackmount, Wall mounting
MAC Table Size	2K	POWER REQUIREMENT	
Jumbo Frame	9Kbytes	AC Input	100VAC~240VAC
Memory Buffer	128Kbytes	DC Output	5V
PORT INTERFACE		System Power Consumption	2.2W
Ethernet Port	1*10/100/1000Base-TX Auto negotiation speed, Full/Half duplex mode, and auto MDI/MDI-X connection	Frequency Range	50~60Hz
Fiber Port	1*100Base-FX	ENVIRONMENTAL LIMITS	
LED Indicators	Power, FDX, Status, F/O Link/Act, TX Link/Act	Operating Temperature	0°C to 50°C
		Storage Temperature	-20°C ~ 60°C
		Ambient Relative Humidity	5 to 90%, (non-condensing)
		REGULATORY APPROVALS	
		Safety	FCC Class A, CE
		Warranty	5 Years

ORDERING INFORMATION

EMC-0201-SC-M	10/100TX to 100FX Enterprise Media Converter, Multi-Mode 2KM, SC Connector
EMC-0201-SC-S3	10/100TX to 100FX Enterprise Media Converter, Single-Mode 30KM, SC Connector
EMC-0201-ST-M	10/100TX to 100FX Enterprise Media Converter, Multi-Mode 2KM, ST Connector
EMC-0201-ST-S3	10/100TX to 100FX Enterprise Media Converter, Single-Mode 30KM, ST Connector
EMC-0201-WA-M	10/100TX to 100FX Single Fiber (WDM) Enterprise Media Converter, Multi-Mode 2KM, TX1310nm - RX1550nm
EMC-0201-WB-M	10/100TX to 100FX Single Fiber (WDM) Enterprise Media Converter, Multi-Mode 2KM, TX1550nm - RX1310nm
EMC-0201-WA-S2	10/100TX to 100FX Single Fiber (WDM) Enterprise Media Converter, Single-Mode 20KM, TX1310nm - RX1550nm
EMC-0201-WB-S2	10/100TX to 100FX Single Fiber (WDM) Enterprise Media Converter, Single-Mode 20KM, TX1550nm - RX1310nm

Assured Systems

Assured Systems is a leading technology company with over 1,500 regular clients in 80 countries, deploying over 85,000 systems to a diverse customer base in 12 years of business. We offer high-quality and innovative rugged computing, display, networking and data collection solutions to the embedded, industrial, and digital-out-of-home market sectors.

US

sales@assured-systems.com

Sales: +1 347 719 4508

Support: +1 347 719 4508

1309 Coffeen Ave
Ste 1200
Sheridan
WY 82801
USA

EMEA

sales@assured-systems.com

Sales: +44 (0)1785 879 050

Support: +44 (0)1785 879 050

Unit A5 Douglas Park
Stone Business Park
Stone
ST15 0YJ
United Kingdom

VAT Number: 120 9546 28

Business Registration Number: 07699660