

# ARX-7235-AC-PD-T

Industrial Outdoor IP67 Metal Housing IEEE 802.11a/b/g/n/ac Wireless Access Point/Client/Bridge/Repeater/Router with PoE PD; EOT: -40°C to 70°C



## Features

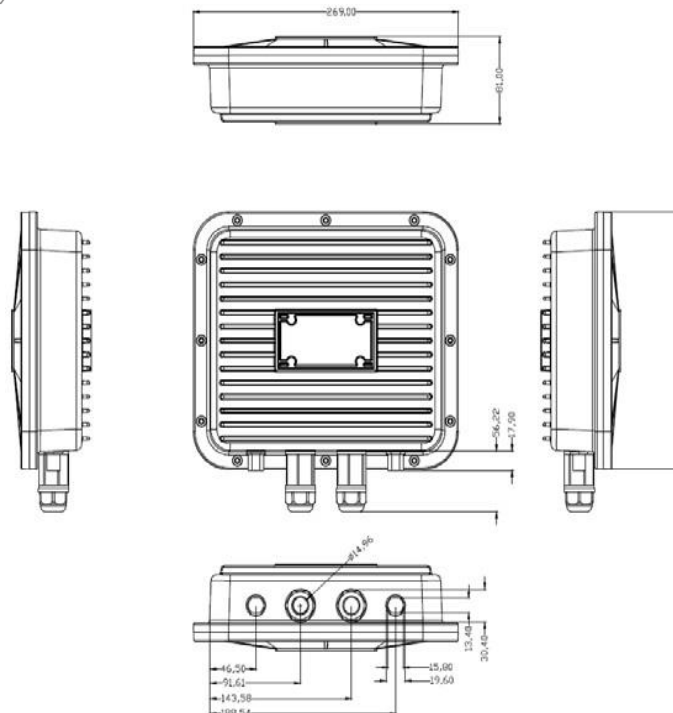
- ▶ High Speed WLAN Supports Up to 867Mbps
- ▶ Dual Band (2.4GHz/5GHz concurrent)
- ▶ Industrial MIMO Wireless Solution (Dual 2Tx/2Rx)
- ▶ Support IEEE 802.11a/b/g/n/ac
- ▶ PD (Powered Device) IEEE 802.3af/at Compliant
- ▶ Support Ethernet Gigabit WAN/LAN Port
- ▶ Qualcomm IPQ4029 SoC
- ▶ Tx Power 25dBm for 2.4GHz/5GHz
- ▶ WPA, WPA2, WPA3, WEP, TKIP, AES
- ▶ IP67 Metal Housing
- ▶ Pole and Wall Mountable
- ▶ Operating Temperature Range: -40°C to 70°C
- ▶ 5-Year Warranty

## INTRODUCTION

Antaira Technologies' ARX-7235-AC-PD-T is designed for industrial and enterprise outdoor wireless access applications. Embedded with the Qualcomm IPQ4029 SoC chipset, it boasts network robustness, stability, and wider network coverage. Based on IEEE 802.11a/b/g/n/ac, the access point supports high-speed data transmission of up to 867Mbps.

The ARX-7235-AC-PD-T is capable of operating in different modes, which makes it suitable for a wide variety of wireless applications including long-distance deployments. With the extended operating temperature range of -40°C to 70°C and the metal housing IP67 rated, this wireless access point is built for outdoor applications to withstand extreme weather conditions and temperatures.

## DIMENSIONS



## SPECIFICATIONS

Technology		Power Requirement		
Standards	IEEE 802.11a/b/g/n/ac Wireless LAN	<b>Input Voltage</b>	IEEE 802.3at PoE (48~56VDC)	
	IEEE 802.3 10Base-T Ethernet	<b>System Power Consumption</b>	4.2 Watts	
	IEEE 802.3u 100Base-TX Fast Ethernet	<b>Environmental Limits</b>		
	IEEE 802.3ab 1000Base-T Gigabit Ethernet IEEE 802.3af/at Power over Ethernet	<b>Operating Temperature</b>	-40°C to 70°C	
<b>WLAN Operation Mode</b>	AP/Client/Bridge/Repeater/Router		<b>Storage Temperature</b>	-40°C to 80°C
<b>Protocol</b>	IP, TCP, UDP, ARP, BOOTP, ICMP, HTTP, HTTPS, DNS Proxy, NTP, SNTP, Dynamic DNS, SMTP, SNMP		<b>Ambient Relative Humidity</b>	5% to 95%, (non-condensing)
<b>Encryption Security</b>	WPA, WPA2, WPA3, WEP, TKIP, AES, RADIUS, 802.1x/EAP		<b>Regulatory Approvals</b>	
Interface		<b>EMI</b>	FCC Part 15 Subpart B CE EN55032	
<b>Ethernet Port</b>	WAN: 10/100/1000Tx LAN (PoE PD): 10/100/1000Tx	<b>EMS</b>	CE EN55024 IEC61000-4-2,3,4,5,6,8,11	
<b>WLAN</b>	Dual Band 2.4GHz/5GHz concurrent	<b>Green</b>	RoHS Compliant	
<b>Antenna</b>	2*External N-Type Antennas: 5dBi for 2.4GHz, 5dBi for 5GHz (MIMO support, Dual 2Tx/2Rx)	<b>Certifications</b>	FCC, CE	
Frequency Range		<b>Warranty</b>	5 Years	
<b>IEEE 802.11b/g/n (2.4GHz)</b>	2.402G~2.482GHz			
<b>IEEE 802.11a/n/ac (5GHz)</b>	4.920G~5.920GHz			
Mechanical Characteristics				
<b>Housing</b>	Metal, IP67 rated			
<b>Dimensions</b>	269 x 81 x 239 mm (W x H x D)			
<b>Weight</b>	Unit: 5.82 lbs. Shipping: 7.729 lbs.			
<b>Mounting</b>	Pole mounting, Wall mounting			

## ORDERING INFO

<b>ARX-7235-AC-PD-T</b>	Industrial Outdoor IP67 Metal Housing IEEE 802.11a/b/g/n/ac Wireless Access Point/Client/Bridge/Repeater/Router with PoE PD; EOT: -40°C to 70°C
-------------------------	---

## Assured Systems

Assured Systems is a leading technology company with over 1,500 regular clients in 80 countries, deploying over 85,000 systems to a diverse customer base in 12 years of business. We offer high-quality and innovative rugged computing, display, networking and data collection solutions to the embedded, industrial, and digital-out-of-home market sectors.

### US

[sales@assured-systems.com](mailto:sales@assured-systems.com)

Sales: +1 347 719 4508  
Support: +1 347 719 4508

1309 Coffeen Ave  
Ste 1200  
Sheridan  
WY 82801  
USA

### EMEA

[sales@assured-systems.com](mailto:sales@assured-systems.com)

Sales: +44 (0)1785 879 050  
Support: +44 (0)1785 879 050

Unit A5 Douglas Park  
Stone Business Park  
Stone  
ST15 0YJ  
United Kingdom

VAT Number: 120 9546 28  
Business Registration Number: 07699660