

SINTRONES

Edge AI Computing

IBOX-601-M12X

NVIDIA® Jetson Orin NX Fanless Edge AI Computer



- NVIDIA® Jetson Orin™ NX SoM with 1024 CUDA Cores
- 4 x GMSL-2 Cameras Support
- 2 x Ethernet with M12 Connectors
- 1 x CAN FD for Vehicle Connection
- 9-60VDC Input with Built-in Smart Power Management
- -25°C ~ 70°C Operating with Fanless Design
- Optional Backup Battery for Emergency

Edge AI Application



CAN FD

Enables In-Vehicle Networking



Wide Range Power Input

9~60V DC Input with Smart Power Management



2.5 GbE + GbE

M12 Connector for Robust Connection
Connect to PoE Switch or LiDAR



GMSL-2

Connect to GMSL-2 cameras for real-time video capture



Dual USB 3.2

High Speed Connection for Cameras or Sensors

Specifications

System

Module

- NVIDIA® Jetson Orin™ NX 16GB (1024 CUDA cores + 8-core ARM Cortex-A78AE CPU + 16 GB LPDDR5)
- NVIDIA® Jetson Orin™ NX 8GB (1024 CUDA cores + 6-core ARM Cortex-A78AE CPU + 8 GB LPDDR5)

Network

- Intel® 2.5GbE, SoM Built-in GbE

Security

- Platform Security Controller (PSC), Security Engine (SE)

Interface

Ethernet

- 2 x M12 X-coded connectors for 1 x 2.5GbE & 1 x GbE

USB

- 2 x USB 3.2 Type-A * Two ports share 10Gbps bandwidth

Video

- 1 x HDMI Type-A output supports 4K resolution

Audio

- 1 x HD Audio from the HDMI

Serial Port

- 1 x DB-9 for RS-232/422/485

Camera Port

- 4 x FAKRA-Z connectors for GMSL-2 cameras

CAN Bus

- 1 x DB-9 for CAN FD

GPIO

- 1 x DB-9 for 4 x DI / 4 x DO

Mgmt. Port

- 1 x USB Type-C for system recovery (Device only)

SIM Card

- 1 x Nano SIM card slot

Antenna

- 5 x Pre-cut holes for external SMA antenna

Internal Expansion

M.2 Slot

- 1 x M.2 3042/52 Key B slot (USB3.0) with a Nano SIM Card Slot
- 1 x M.2 2230 Key E slot

mPCIe Slot

- 1 x mPCIe Full size slot (USB.2.0 supported)

Storage

Type

- 1 x M.2 2280 Key M slot supports NVMe SSD (Pre-installed system BSP)

Power

Supply Voltage

- 1 x M12 K-coded for DC-IN 9 ~ 60V
- Supports Smart Power Management, OCP and OVP

RTC Battery

- High-capacity coin cell battery for RTC

UPS (Option)

- Backup battery for system power backup

Software

Operating System / BSP

- NVIDIA® JetPack including Jetson Linux, NVIDIA® development tools

Environmental

Operating Temp.

- -25°C ~ 70°C (-13°F ~ 158°F), ambient w/ 0.6m/s airflow
- * Operating temp. varies by accessories installed.

Storage Temp.

- -40°C ~ 80°C (-40°F ~ 176°F)

Relative Humidity

- 10% RH – 90% RH (non-condensing)

Vibration

- Random - IEC60068-2-64, random, 2.5G@5~500Hz, 1hr/axis
- MIL-STD-810G - Method 514.6, Procedure I, Category 4

Shock

- MIL-STD-810G, Method 516.6, Procedure I, Trucks and semi-trailers=15G (11ms) with SSD

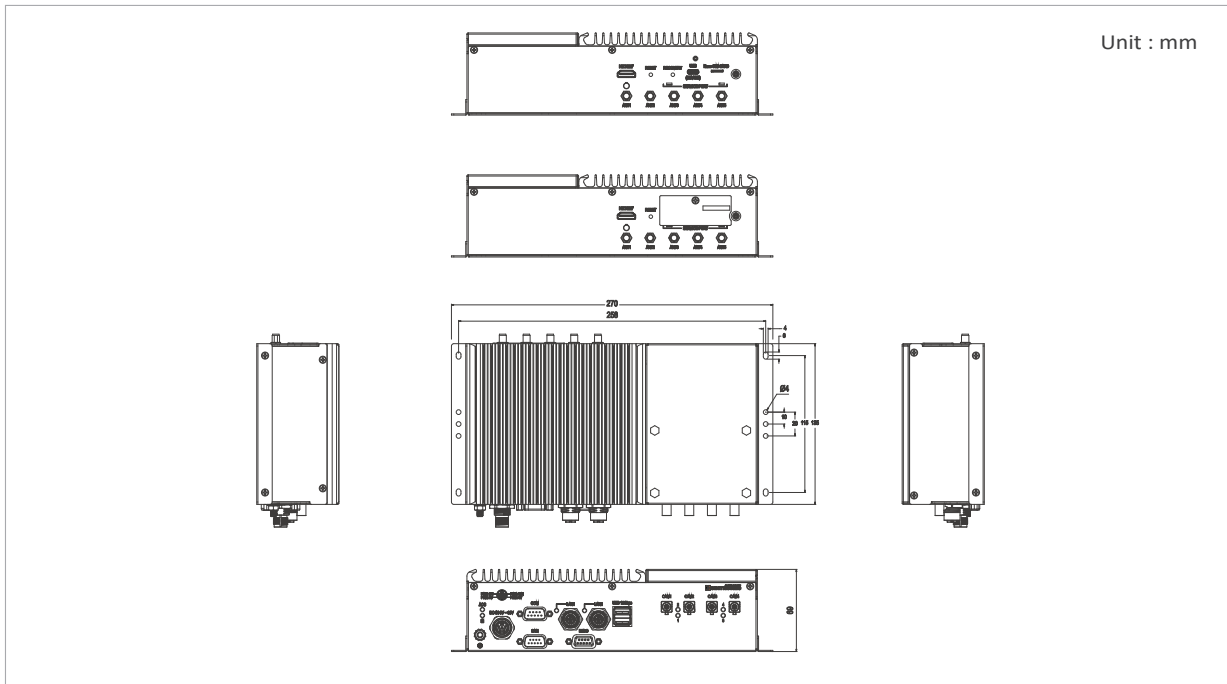
Certification / Standard

- CE, FCC Part-15 Class A, E-mark, EN50155, EN45545-2 (R25)

Mechanical

- Construction**
 - Aluminum alloy
- Thermal Design**
 - Fanless passive cooling design
- Mounting**
 - DIN-rail, Wall-mounting
- Weight**
 - 1870 g (TBC)
- Dimensions**
 - 270.2 mm (L) x 270.2 mm (W) x 69 mm (H)

Dimensions



Ordering Information

Model Number	IBOX-601-M12X-00-ONX16	NVIDIA® Jetson Orin™ NX 16GB / VDB-100 / 4 x GMSL-2 / Model M12
	IBOX-601-M12X-00-ONX8	NVIDIA® Jetson Orin™ NX 8GB / VDB-100 / 4 x GMSL-2 / Model M12
	IBOX-601-M12X-01-ONX16*	NVIDIA® Jetson Orin™ NX 16GB / VDB-101 / 4 x GMSL-2 / Model M12
	IBOX-601-M12X-01-ONX8*	NVIDIA® Jetson Orin™ NX 8GB / VDB-101 / 4 x GMSL-2 / Model M12
Description	NVIDIA® Jetson Orin™ NX w/ 1 x 2.5GbE / 2 x LAN / 1 x HDMI / 1 x CAN bus / 4 x GMSL-2 / DC 9-60V / Edge AI Computer	
State of Origin	Made in Taiwan	

* Coming soon
Jetson Orin SoM Lifecycle is available through January 2032.

Optional Accessories

Storage*	M.2 2280 NVMe SSD 480GB / 960GB		
Wi-Fi	M.2 2230 Wi-Fi Module		
WWAN Modem	M.2 3042/52 WWAN Modem		
GPS	mPCIe GPS Module		
UPS	BAT-2300v2 (Operating Temp. : -20°C ~ 60°C / -4°F ~ 140°F)		
GMSL Camera	2MP 63.9°	Sony IMX390 2MP, 63.9°, GMSL-2	IBOX-601-M12X-00 IBOX-601-M12X-01 Supported
	2MP 120.6°	Sony IMX390 2MP, 120.6°, GMSL-2	
	2MP 186.0°	Sony IMX390 2MP, 186.0°, GMSL-2	

*The NVMe SSD is a mandatory accessory for this product.

All specifications are subject to change without notice.

NVIDIA® Jetson™ is trademarks or registered trademarks of NVIDIA Corporation.

Assured Systems

Assured Systems is a leading technology company with over 1,500 regular clients in 80 countries, deploying over 85,000 systems to a diverse customer base in 12 years of business. We offer high-quality and innovative rugged computing, display, networking and data collection solutions to the embedded, industrial, and digital-out-of-home market sectors.

US

sales@assured-systems.com

Sales: +1 347 719 4508
Support: +1 347 719 4508

1309 Coffeen Ave
Ste 1200
Sheridan
WY 82801
USA

EMEA

sales@assured-systems.com

Sales: +44 (0)1785 879 050
Support: +44 (0)1785 879 050

Unit A5 Douglas Park
Stone Business Park
Stone
ST15 0YJ
United Kingdom

VAT Number: 120 9546 28
Business Registration Number: 07699660