



6th Gen Intel® Core™ Processor  
Fanless Embedded System



## EC70B-SU

ULT

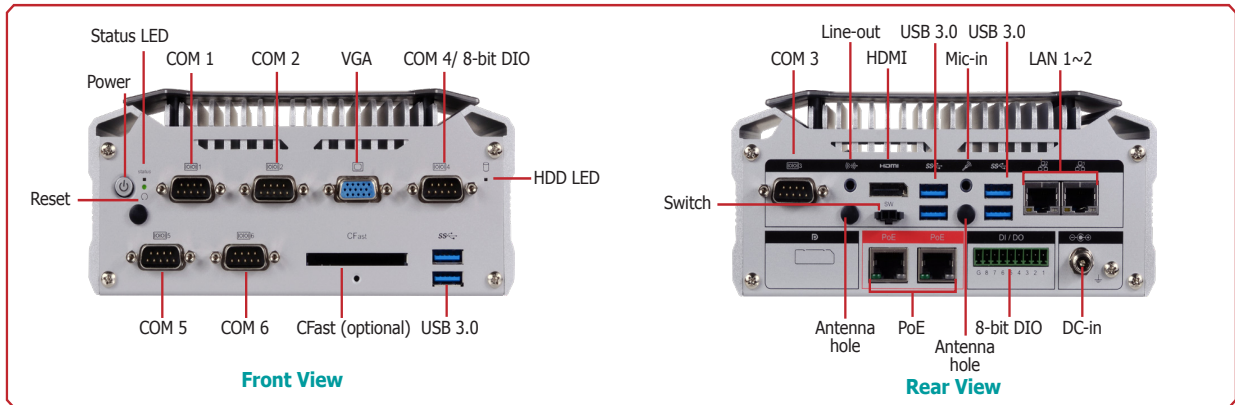


### ► Features

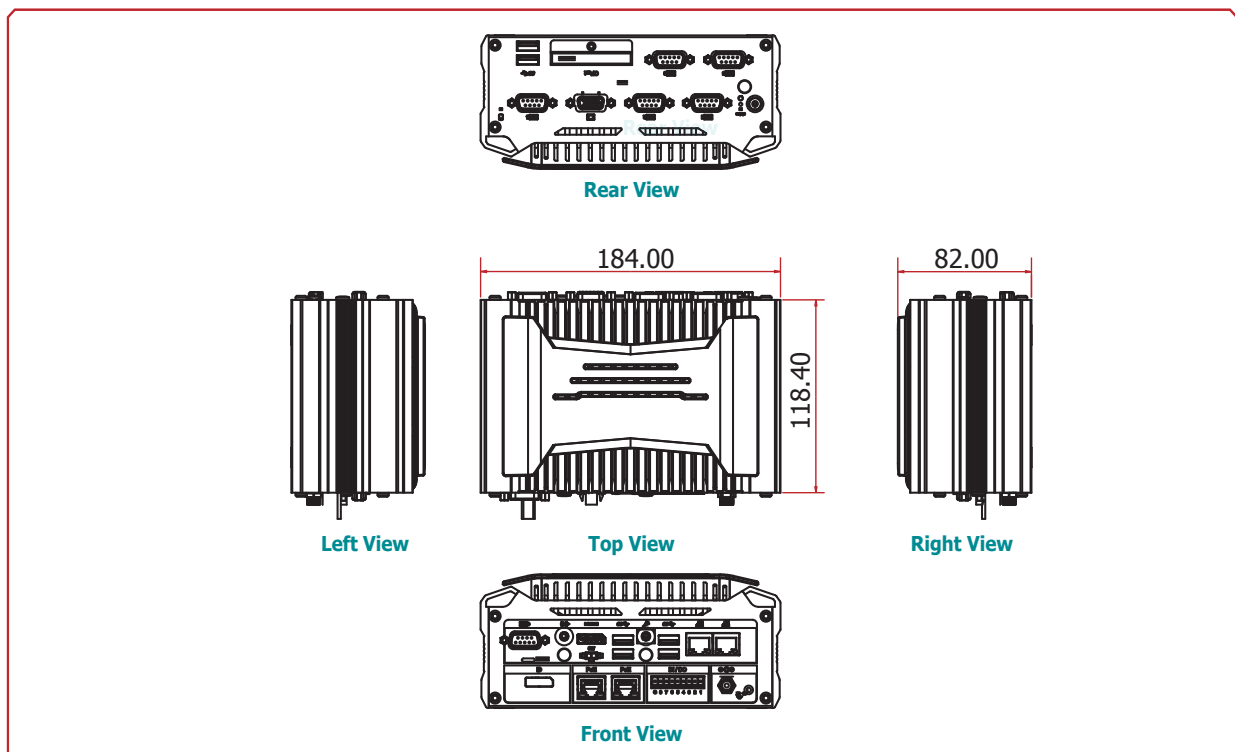
- Compact and Fanless Embedded System
- 4GB/8GB DDR4 memory onboard
- 1x mSATA and 1x M.2 / CFast for storage
- Supports 2 Mini PCIe for wireless application
- Rich I/O ports: 2 PoE, 2 Intel GbE, 6 COM, 6 USB 3.0



### ► Panel



### ► Dimensions





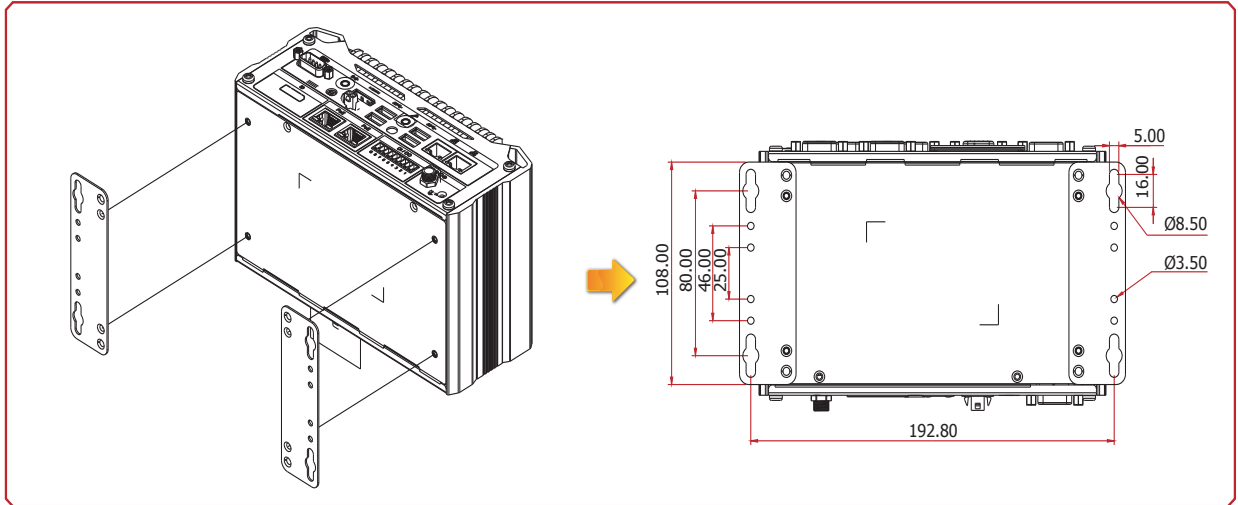
**Specifications**

<b>SYSTEM</b>	<b>Processor</b>	6th Generation Intel® Core™ Processors, BGA 1356 Intel® Core™ i7-6600U Processor, Dual Core, 4M Cache, 2.6GHz, 15W Intel® Core™ i5-6300U Processor, Dual Core, 3M Cache, 2.4GHz, 15W Intel® Core™ i3-6100U Processor, Dual Core, 3M Cache, 2.3GHz, 15W	
	<b>Memory</b>	4GB/8GB Memory Onboard	Dual Channel DDR4 2133MHz
	<b>BIOS</b>	Insyde SPI 128Mbit	
	<b>GRAPHICS</b>	<b>Controller</b>	Intel® HD Graphics GT Series
	<b>Feature</b>	OpenGL 5.0, DirectX 12, OpenCL 2.1 HW Decode: AVC/H.264, MPEG2, VC1/WMV9, JPEG/MJPEG, HEVC/H265, VP8, VP9 HW Encode: AVC/H.264, MPEG2, JPEG, HEVC/H265, VP8, VP9	
	<b>Display</b>	1 x VGA/DP++ (DP++ available upon request) VGA: resolution up to 1920x1200 @ 60Hz 1 x HDMI/DP++ (DP++ available upon request) DP++: resolution up to 4096x2304 @ 60Hz HDMI: resolution up to 4096x2160 @ 24Hz or 2560x1600 @ 60Hz	
	<b>Dual Displays</b>	VGA + HDMI VGA + DP++	(DP++) + HDMI (DP++) + DP++
<b>STORAGE</b>		1 x mSATA 1 x M.2 (2280 B Key) / CFast Slot (CFast slot available upon request)	
<b>EXPANSION</b>	<b>Interface</b>	1 x Full-size Mini PCIe (PCIe+USB) 1 x Half-size Mini PCIe (USB+PCIe or USB+SATA, PCIe/SATA is selected by jumper setting, USB+SATA by default)	
<b>AUDIO</b>	<b>Audio Codec</b>	Realtek ALC888 5.1-channel	
<b>ETHERNET</b>	<b>Controller</b>	1 x Intel® I210IT PCIe (10/100/1000Mbps) 1 x Intel® I219LM with iAMT11.0 PCIe (10/100/1000Mbps) (only Core i7/i5 supports iAMT) 2 x Intel® I210IT PCIe (10/100/1000Mbps) for PoE	
<b>LED</b>	<b>Indicators</b>	1 x Power LED 1 x HDD LED	
<b>FRONT I/O</b>	<b>Serial</b>	2 x RS-232/422/485 (DB-9, COM 1~2) 3 x RS-232 (DB-9, COM 4~6, COM 4 supports 8-bit DIO by jumper setting)	
	<b>USB</b>	2 x USB 3.0 (type A)	
	<b>Display</b>	1 x VGA	
	<b>Buttons</b>	1 x Power Button 1 x Reset Button	
	<b>Wi-Fi Antenna</b>	1 x Wi-Fi Module Antenna Hole	
<b>REAR I/O</b>	<b>Ethernet</b>	2 x PoE (supports 802.3af)	2 x GbE (RJ-45)
	<b>Serial</b>	1 x RS-232 (DB-9, COM 3)	
	<b>USB</b>	4 x USB 3.0 (type A)	
	<b>Display</b>	1 x HDMI	
	<b>Audio</b>	1 x Line-out 1 x Mic-in	
	<b>DIO</b>	1 x 8-bit DIO	
	<b>Wi-Fi Antenna</b>	2 x Wi-Fi Module Antenna Hole	
<b>WATCHDOG TIMER</b>	<b>Output &amp; Interval</b>	System Reset, Programmable via Software from 1 to 255 Seconds	
<b>POWER</b>	<b>Type</b>	Wide Range 15~36V	
	<b>Connector</b>	DC Jack	
<b>OS SUPPORT</b>		Windows 7 (32/64-bit) Windows 8.1 (64-bit) Windows 10	WES 7 WE8S
<b>MECHANISM</b>	<b>Construction</b>	Aluminum + Metal Aluminum	
	<b>Mounting</b>	Wall/VESA/DIN Rail Mount	
	<b>Dimensions (W x H x D)</b>	184mm x 82mm x 118.4mm	
	<b>Weight</b>	1.6 Kg	
<b>ENVIRONMENT</b>	<b>Operating Temperature</b>	-20 to 60°C	
	<b>Storage Temperature</b>	-20 to 85°C	
	<b>Relative Humidity</b>	5 to 95% RH (non-condensing)	
<b>STANDARDS AND CERTIFICATIONS</b>	<b>Shock</b>	Operating: 3G, 11ms Non-Operating: 5G, 11ms	
	<b>Vibration</b>	Operating: Random 5~500Hz, IEC68-2-64 (3G) Non-Operating: Sine 10~500Hz, IEC68-2-6 (3G)	
	<b>Certification</b>	CE, FCC Class A, RoHS	

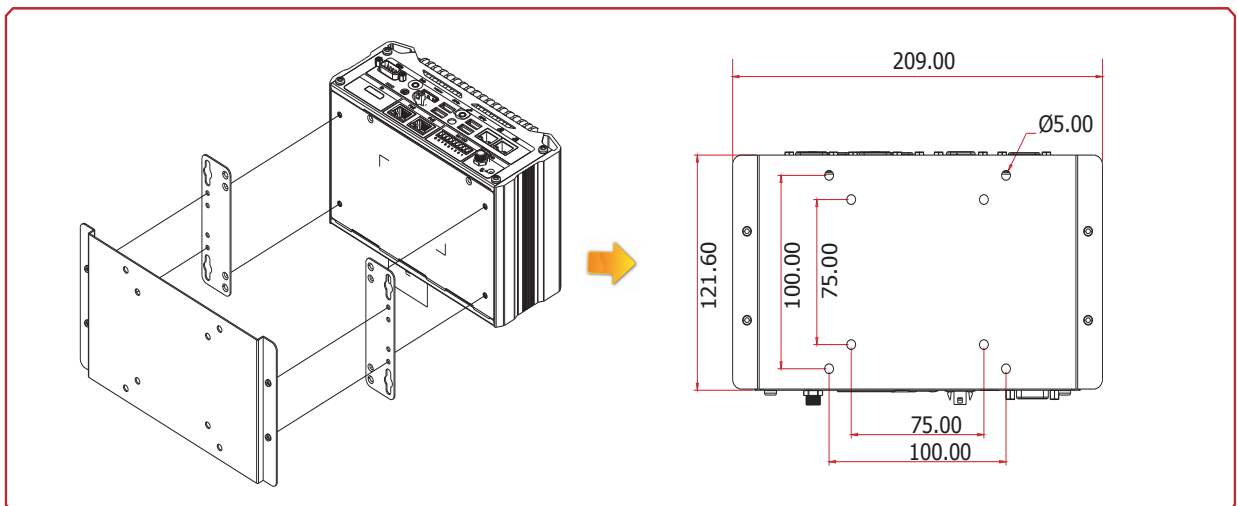


**EC70B-SU**

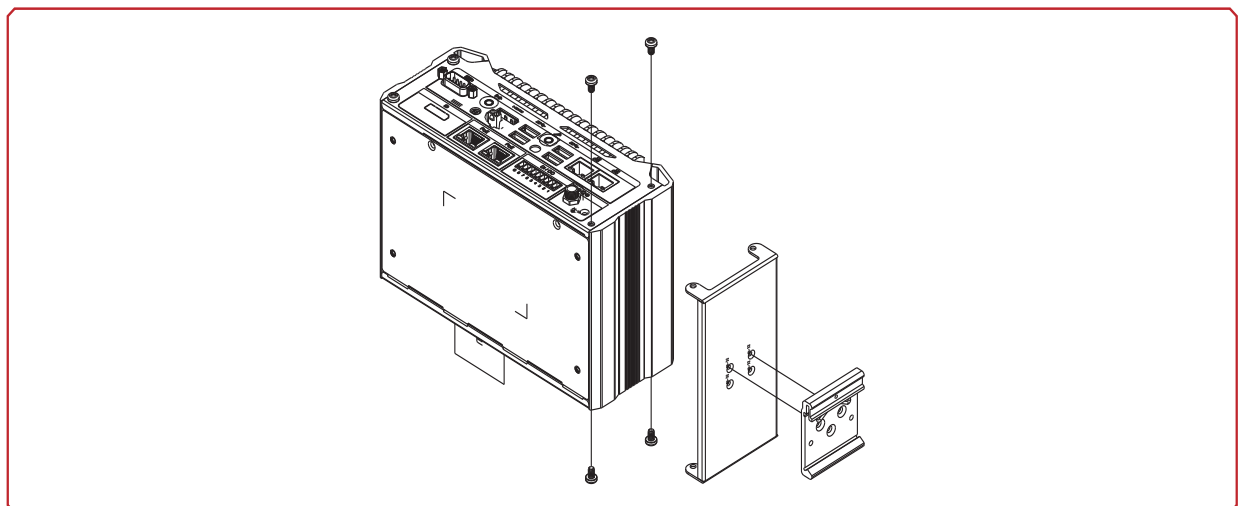
► **Wall Mounting**



► **VESA Mounting**



► **DIN Rail Mounting**





► **Ordering Information**

Model Name	Part Number	Description
<b>EC70B-SU6864E-614</b>	750-EC70B0-000G	Intel Core i3-6100U, 1 HDMI, 1 VGA, 2 PoE, 2 LAN, 6 COM, 6 USB, 4GB DDR4 onboard
<b>EC70B-SU6864E-618</b>	750-EC70B0-100G	Intel Core i3-6100U, 1 HDMI, 1 VGA, 2 PoE, 2 LAN, 6 COM, 6 USB, 8GB DDR4 onboard
<b>EC70B-SU6864E-634</b>	750-EC70B0-200G	Intel Core i5-6300U, 1 HDMI, 1 VGA, 2 PoE, 2 LAN, 6 COM, 6 USB, 4GB DDR4 onboard
<b>EC70B-SU6864E-638</b>	750-EC70B0-300G	Intel Core i5-6300U, 1 HDMI, 1 VGA, 2 PoE, 2 LAN, 6 COM, 6 USB, 8GB DDR4 onboard
<b>EC70B-SU6864E-664</b>	750-EC70B0-400G	Intel Core i7-6600U, 1 HDMI, 1 VGA, 2 PoE, 2 LAN, 6 COM, 6 USB, 4GB DDR4 onboard
<b>EC70B-SU6864E-668</b>	750-EC70B0-500G	Intel Core i7-6600U, 1 HDMI, 1 VGA, 2 PoE, 2 LAN, 6 COM, 6 USB, 8GB DDR4 onboard

► **Optional Items**

Optional Items	Part Number	Description
<b>Storage</b>	785-MW128GMH	mSATA Card, 128GB MLC, -40 to 85°C, RoHS
	785-MW64GMH	mSATA Card, 64GB MLC, -40 to 85°C, RoHS
	785-MW32GMH	mSATA Card, 32GB MLC, -40 to 85°C, RoHS
<b>Wi-Fi</b>	785-WIFIKT	Wi-Fi Kit, RoHS
<b>Power Cord</b>	785-PWRD	Power Cord, Standards (USA/EUR/CH), 1.8m, RoHS
<b>Power Adapter</b>	671-110003-100G	120W, 19V/6.31A, Level 6, RoHS
	671-106011-000G	60W, 19V/3.15A, Level 6, RoHS
<b>Wall Mount</b>	761-EC8000-000G	EC700/EC800/EC70A/EC70B Wall Mount Kit, RoHS
<b>VESA Mount</b>	761-EC7000-100G	EC700/EC70A/EC70B VESA Mount Kit, RoHS
<b>DIN Rail Mount</b>	761-EC70B0-000G	EC70B DIN Rail Mount Kit, RoHS

► **Packing List**

• 1 EC70B-SU system unit
• Mounting screws for Mini PCIe module
• 1 Quick Installation Guide
• 1 CD disk includes:
- Drivers / Manual

## Assured Systems

Assured Systems is a leading technology company with over 1,500 regular clients in 80 countries, deploying over 85,000 systems to a diverse customer base in 12 years of business. We offer high-quality and innovative rugged computing, display, networking and data collection solutions to the embedded, industrial, and digital-out-of-home market sectors.

### US

[sales@assured-systems.com](mailto:sales@assured-systems.com)

Sales: +1 347 719 4508  
Support: +1 347 719 4508

1309 Coffeen Ave  
Ste 1200  
Sheridan  
WY 82801  
USA

### EMEA

[sales@assured-systems.com](mailto:sales@assured-systems.com)

Sales: +44 (0)1785 879 050  
Support: +44 (0)1785 879 050

Unit A5 Douglas Park  
Stone Business Park  
Stone  
ST15 0YJ  
United Kingdom

VAT Number: 120 9546 28  
Business Registration Number: 07699660